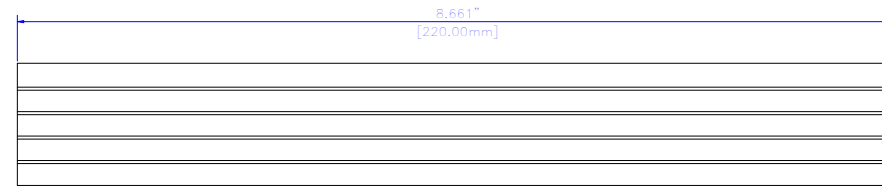
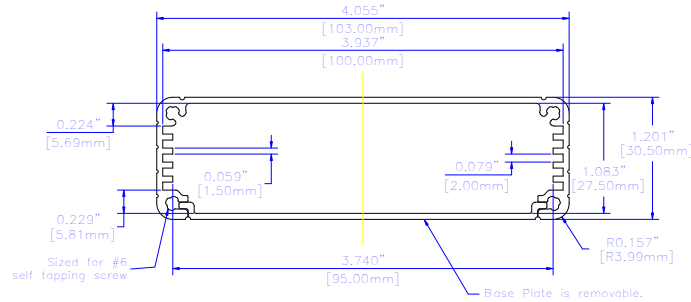


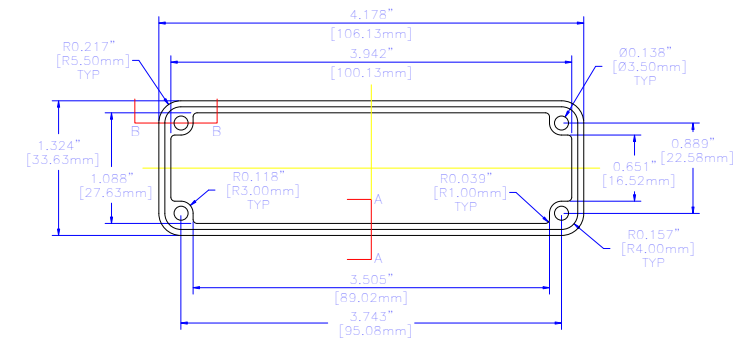
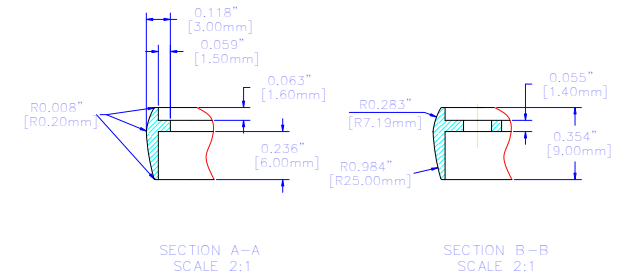
PANEL



EXTRUSION

NOTES

Constructed from extruded Al with a minimum thickness of 0.060"(1.50mm)  
 Available in clear or Black anodized finish  
 Version 1 includes two Al end panels, and two Black plastic bezels.  
 Hardware and self-adhesive rubber feet included.



BEZEL

THIS DRAWING IS PROPRIETARY INFORMATION OF HAMMOND MFG.CO.LTD. NOT TO BE USED WITHOUT EXPRESSED WRITTEN PERMISSION OF HAMMOND MFG.CO.LTD.

Rev	EC	Description	Date	By

Unless otherwise specified dimensions are in inches Tolerances are:

.X	± .1
.XX	± .02
.XXX	± .010
.XXXX	± .0005
Holes	± .0050
Angles	± .5°

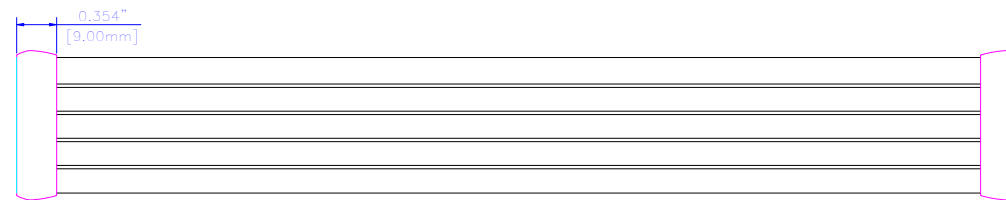
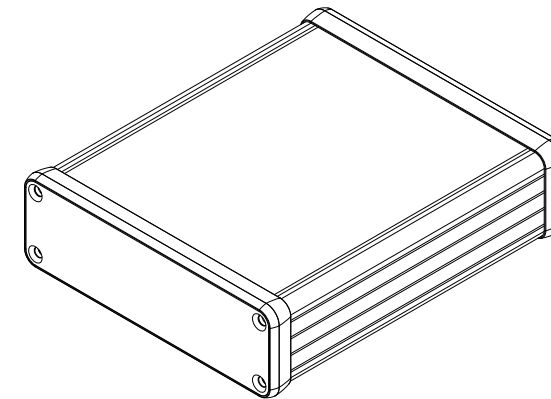
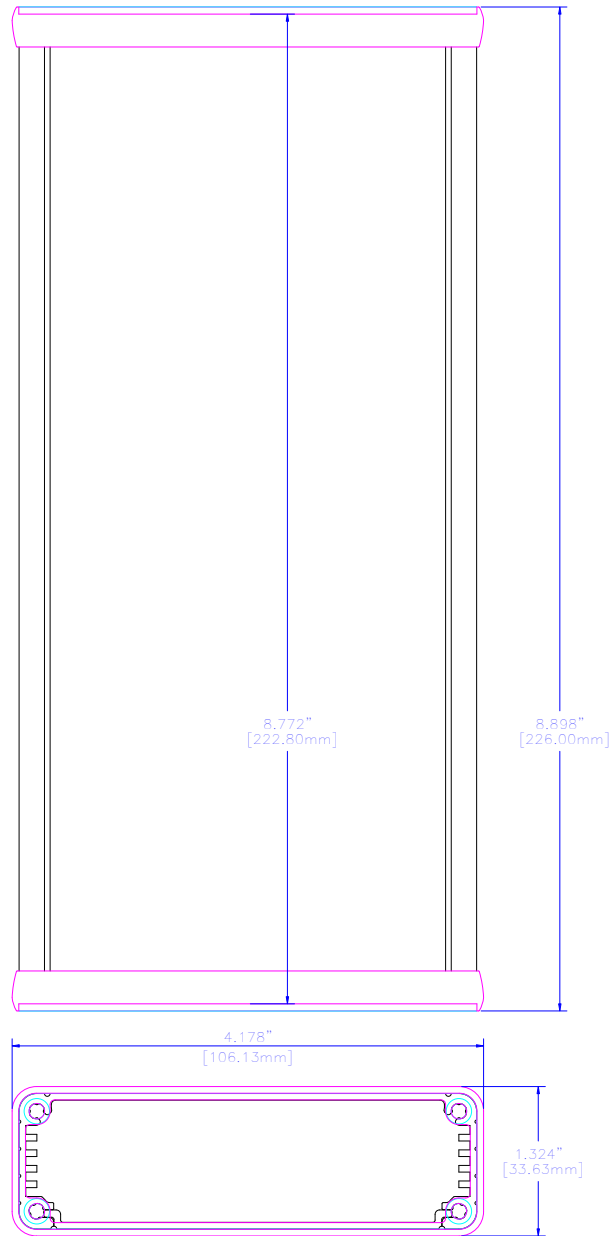
Dwn	T. SPARKS
Date	04 11 02
Chk	---
Mat'l	Extruded Aluminum
Sheet	1 of 2

**HAMMOND MANUFACTURING CO. LTD.**  
 Electronics Group, Waterloo, Ont. - Cheektowaga, NY  
**HAMMOND 1455 SERIES**  
**EXTRUDED ALUMINUM**  
 Part #: 1455L2201 Dwg: 1455L2201/A

For the best fit print on legal size paper.

NOTES

Constructed from extruded Al with a minimum thickness of 0.060"(1.50mm)  
 Available in clear or Black anodized finish  
 Version 1 includes two Al end panels, and two Black plastic bezels.  
 Hardware and self-adhesive rubber feet included.



ASSEMBLED

For the best fit print on legal size paper.

THIS DRAWING IS PROPRIETARY INFORMATION OF HAMMOND MFG.CO.LTD. NOT TO BE USED WITHOUT EXPRESSED WRITTEN PERMISSION OF HAMMOND MFG.CO.LTD.

Rev.	EC	Description	Date	By

Unless otherwise spec'd dimensions are in inches  
 Tolerances are:

.X	± .1
.XX	± .02
.XXX	± .010
.XXXX	± .0050
Holes	± .005
Angles	± .5°

Dwn	T. SPARKS
Date	04 11 02
Chk	---
Mat'l	Extruded Aluminum
Sheet	2 of 2

HAMMOND MANUFACTURING CO., LTD. Electronics Group, Waterloo, Ont. - Cheektowaga, NY	HAMMOND 1455 SERIES EXTRUDED ALUMINUM	
	Part #:	1455L2201
Dwg:	1455L2201/A	