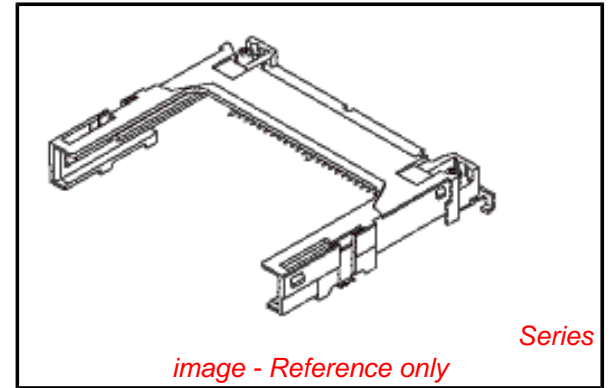


PLEASE CHECK WWW.MOLEX.COM FOR LATEST PART INFORMATION

Part Number: [55358-5029](#)
Status: **Active**
Overview: CompactFlash™
Description: 1.27mm Pitch CF Card Header- Right Angle, Surface Mount Top Mounting for Type I and II Cards, Lead-Free

Documents:

| | |
|--|---|
| 3D Model | Product Specification PS-55546-005 (PDF) |
| Drawing (PDF) | Product Specification PS-55546-006 (PDF) |
| Product Specification PS-55358-012 (PDF) | Packaging Specification SPK-55358-001 (PDF) |
| Product Specification PS-55358-013 (PDF) | RoHS Certificate of Compliance (PDF) |



Agency Certification

UL E29179

General

| | |
|----------------|-------------------------------|
| Product Family | Memory Card Sockets |
| Series | 55358 |
| Component Type | Header/Socket (Host) |
| Overview | CompactFlash™ |
| Product Name | CompactFlash |
| Style | Guide and Holder |
| Type | I, II |
| UPC | 822348180691 |

Physical

| | |
|--------------------------------|------------------------|
| Card Detection Switch | N/A |
| Circuits (Loaded) | 50 |
| Durability (mating cycles max) | 10,000 |
| Ejector Button | No |
| Ejector Button Side | N/A |
| Entry Angle | 90° Angle (Side Entry) |
| Flammability | 94V-0 |
| Keying to Mating Part | Yes |
| Material - Metal | Phosphor Bronze |
| Material - Plating Mating | Gold |
| Material - Plating Termination | Tin |
| Net Weight | 3780.078/mg |
| PCB Mounting Side | Normal |
| PCB Retention | Yes |
| Packaging Type | Tray |
| Pitch - Mating Interface | 1.27mm |
| Plating min - Mating | 0.203µm |
| Plating min - Termination | 2.032µm |
| Ports | 1 |
| Temperature Range - Operating | -20°C to +90°C |
| Termination Interface: Style | Surface Mount |

Electrical

| | |
|-------------------------------|------------|
| Current - Maximum per Contact | 0.5A |
| Voltage - Maximum | 100V AC |
| Voltage Key | 3.3V, 5.0V |

Material Info

Reference - Drawing Numbers

| | |
|-------------------------|---------------|
| Packaging Specification | SPK-55358-001 |
|-------------------------|---------------|

EU RoHS

**ELV and RoHS
Compliant**
**REACH SVHC
Contains SVHC: No**
**Low-Halogen Status
Low-Halogen**

China RoHS



Need more information on product environmental compliance?

Email productcompliance@molex.com
 For a multiple part number RoHS Certificate of Compliance, [click here](#)

Please visit the [Contact Us](#) section for any non-product compliance questions.

Search Parts in this Series

[55358Series](#)

Mates With

[67003](#) , [67114](#) , Industry Standard CF Card

Use With

[55356 Ejector](#), [55364 Ejector](#)

Product Specification

Sales Drawing

PS-55358-012, PS-55358-013, PS-55546-005,
PS-55546-006
SD-55358-014

This document was generated on 12/11/2014

PLEASE CHECK WWW.MOLEX.COM FOR LATEST PART INFORMATION