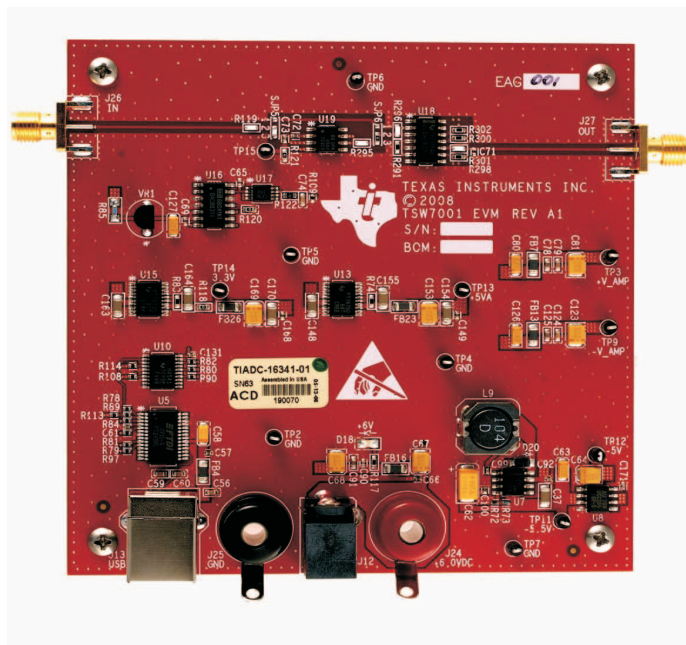


## Voltage-Controlled Amplifier Evaluation Kit

The TSW7001 is an evaluation module that demonstrates an ultra-wideband, high-performance, voltage-controllable gain stage with 40 dB of voltage-controlled gain (nominal gain of 100). The demonstration kit includes an optional path for an onboard OPA656 transimpedance input stage, a 16-bit precision voltage DAC8831 to implement the gain control voltage, and the VCA824 ultra-wideband, voltage-controlled amplifier. Also onboard are linear regulators to provide the voltages necessary for the amplifier circuits and a precision 1.2-V reference for the control voltage digital-to-analog converter (DAC). Control of the board is achieved through a USB interface and GUI software. This allows a personal computer to control the gain of the VCA824 without the need for extra signal generators. The control levels can be static voltage levels or dynamically changing waveforms, both selectable from the GUI.



**Figure 1. TSW7001EVM**

### Contents

1	TSW7001EVM Configuration Options .....	2
2	Block Diagrams .....	3
3	Key Texas Instruments Components .....	3
4	Software Installation .....	4
5	Software.....	4
6	TSW7001 EVM Introduction .....	11
7	Demonstration Kit Test Configuration .....	12
8	Initial Power Up and Test .....	14
9	Optional Configurations.....	14
10	Bill of Materials and Schematics .....	16
11	References .....	21

### List of Figures

1	TSW7001EVM .....	1
2	Optional Onboard OPA656 Transimpedance Input Stage.....	2
3	TSW7001EVM Block Diagram .....	3
4	VCA824 Schematic.....	3
5	TSW7001 Control Voltage GUI .....	9
6	TSW7001 Output for Step Function .....	9
7	TSW7001 Ramp Output.....	10
8	TSW7001 Arbitrary Gain Profile Panel .....	10
9	Output of TSW7001 With Arbitrary Gain Profile.....	11
10	TSW7001 Test Setup.....	12
11	IMD3 Plot for TSW7001 at 10 MHz.....	13
12	IMD3 for TSW7001 in 40-dB Gain Mode.....	13
13	Harmonic Distortion for TSW7001 in 40-dB Gain Mode .....	14
14	Optional Path for OPA656 Input Buffer/Transimpedance Amplifier.....	15

### List of Tables

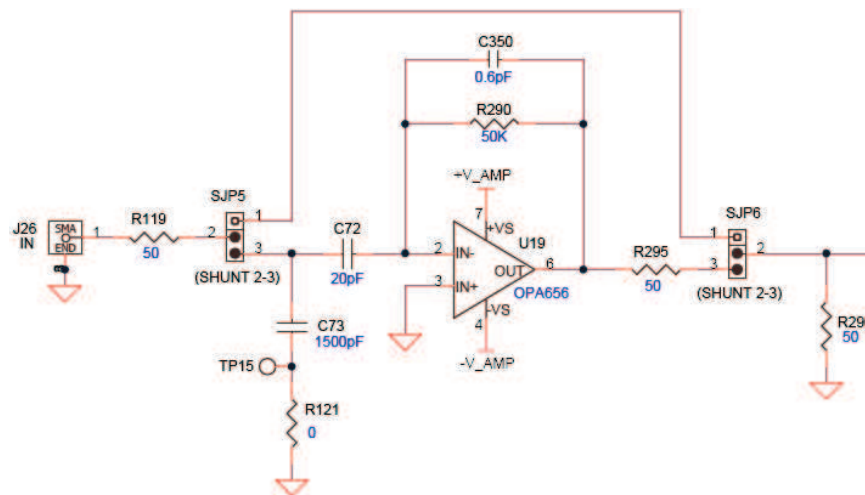
1	Input and Output Connections.....	11
2	Bill of Materials .....	16

## 1 TSW7001EVM Configuration Options

The TSW7001 evaluation module (EVM) can be configured to have an optional transimpedance input stage using an OPA656 operational amplifier. In the default configuration, the OPA656 is bypassed and the input is directly connected to the input of the VCA824 amplifier. The voltage supplies for the amplifiers also can be optionally configured for external offboard supplies. This section outlines the various components and configurations.

### 1.1 Board Configuration

The EVM is by default configured to bypass the optional input transimpedance gain stage. This stage can be enabled by connecting the SJP5 and SJP6 solder jumpers in the 2-3 position as shown in [Figure 2](#). In this configuration, the transimpedance gain of the OPA656 circuit has to be optimized for the particular input load/sensor input capacitance [see [Section 11](#), Ref 1].



**Figure 2. Optional Onboard OPA656 Transimpedance Input Stage.**

## 1.2 Using External Operational Amplifier Supplies

By default both amplifiers are set up to operate with a  $\pm 5$  V. This is adequate in most cases for evaluation purposes; however, both the OPA656 and VCA824 can be operated at a maximum of  $\pm 6$ -V supply. Ferrite beads allow the use of a different  $\pm V$ amp supply for both amplifiers, if desired.

## 2 Block Diagrams

### 2.1 System Block Diagram

Figure 3 shows the functional blocks on the TSW7001 board. The Texas Instruments integrated circuits (IC) are listed on board for reference.

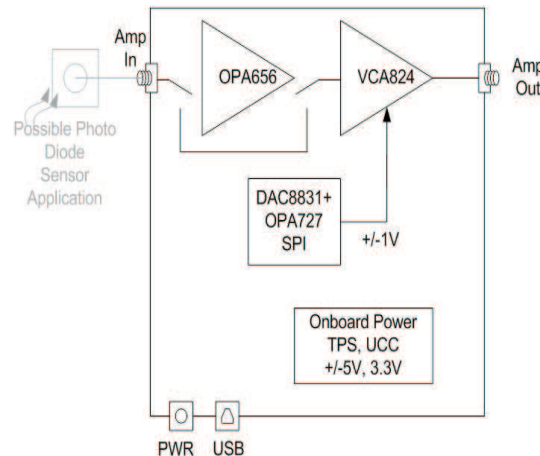


Figure 3. TSW7001EVM Block Diagram

## 3 Key Texas Instruments Components

### 3.1 VCA824

The VCA824 is a dc-coupled, ultra-wideband, voltage-controlled amplifier with a linear in V/V gain control voltage input to adjust the gain down 40 dB from the nominal gain set by the gain resistor R291 (R<sub>g</sub>) and the feedback resistor R302 (R<sub>f</sub>). The gain element is isolated from both inputs, permitting gain control shaping techniques to be implemented easily. Both the inverting and noninverting inputs of the VCA824 are high impedance, allowing a simple interface to the prior stage. This EVM has a nominal gain of 100 V/V (40 dB). Typical applications that are well-suited to the VCA824 include differential line receivers, differential equalizers, pulse amplitude compensation, and variable attenuators. More information for the VCA824 is available in the data sheet ([SBOS394](#)). For a lower speed VCA, consider the VCA822. For a linear in dB gain adjust range, consider the VCA820 and VCA821.

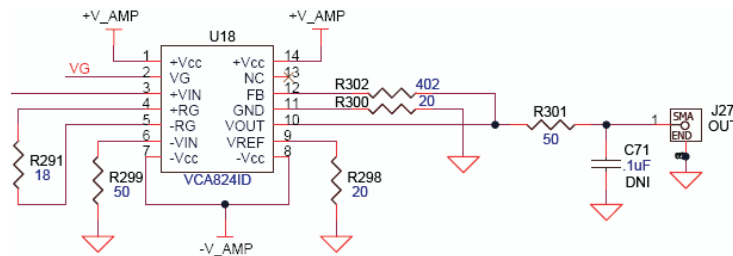


Figure 4. VCA824 Schematic

## 3.2 OPA656

The OPA656 is a wideband, unity-gain-stable, FET-input, voltage-feedback operational amplifier, allowing exceptional performance in high-speed, low-noise applications. Extremely low dc errors give good precision in optical applications. Typical applications for the OPA656 include wideband photodiode amplifiers, sample and hold buffers, CCD output buffers, ADC input buffers, wideband precision amplifiers, and test and measurement front ends. See the data sheet ([SBOS196](#)) for more detailed performance and application data. If wider bandwidth is required with the FET input, consider using the OPA657; if lower noise is required, consider the OPA847.

## 3.3 TPS76xxx, TPS5430, UCC284-5

The TPS76xxx provide 3.3-V and 5-V linear regulation for the DAC5682z, CDCM7005, and V+ amplifier supplies. The TPS5430 generate -5.5 V from 6-V input followed by the UCC284-5, which provides linear -5-V regulation for the V- amplifier supply.

## 4 Software Installation

The CDROM contains an installer that installs the necessary USB drivers and the GUI software to generate the control voltage.

### 4.1 TSW7001 USB Drivers

Execute the TSW7001\_setup.exe file. This creates and copies all drivers and GUI files to the directory C:\Program Files\Texas Instruments\TSW7001. Details of this installer and the GUI functions are covered in [Section 5](#).

Once the software is installed, power up the TSW7001 and attach the personal computer (PC) to the TSW7001 via the USB connector. The PC detects a TSW7001 device. If the PC cannot find the drivers automatically, point the Device Wizard to C:\Program Files\Texas Instruments\TSW7001\TSW7001\_Drivers for the correct USB drivers.

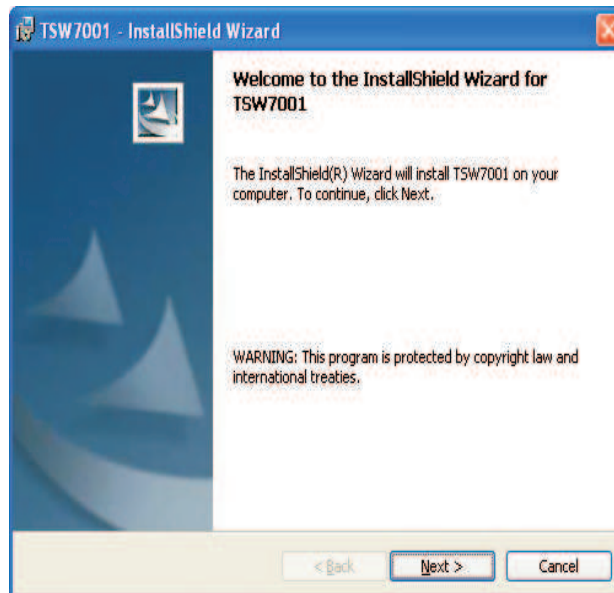
## 5 Software

### 5.1 Software Introduction

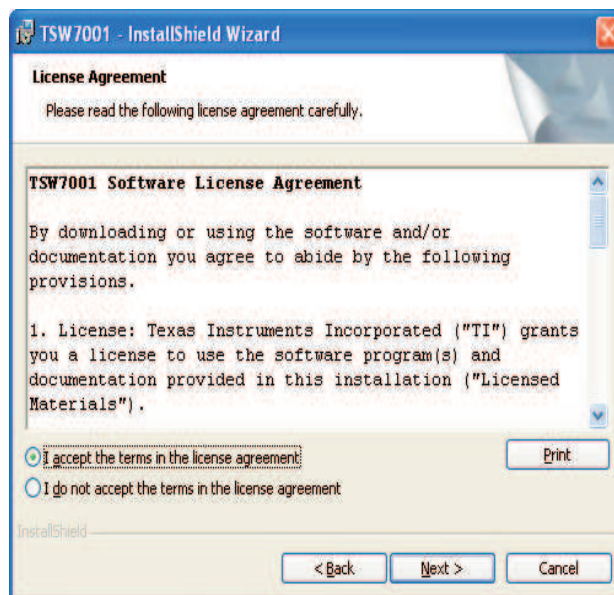
The TSW7001 GUI software allows you to control the voltage of the DAC8831 precision voltage DAC. The minimum to maximum voltage output ranges from -1 V to +1 V, which is the range of the control voltage for the VCA824.

## 5.2 Software Installation

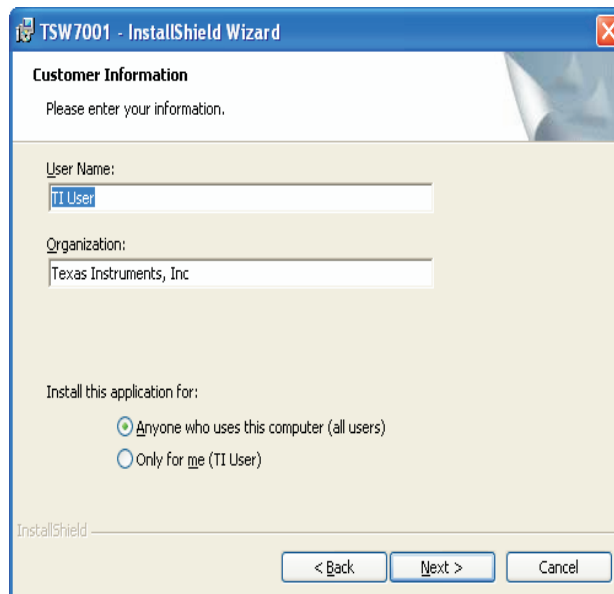
The GUI can be installed via the TSW7001\_setup.exe file. Executing this file starts the program and driver installation.



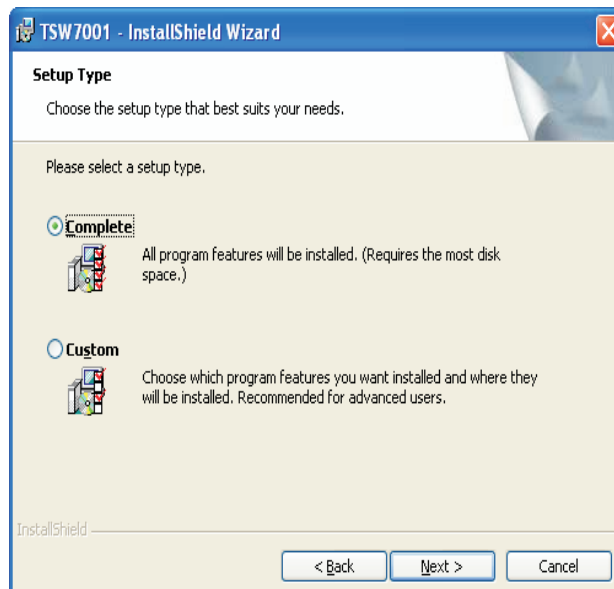
Click Next to proceed to the end-user license agreement.



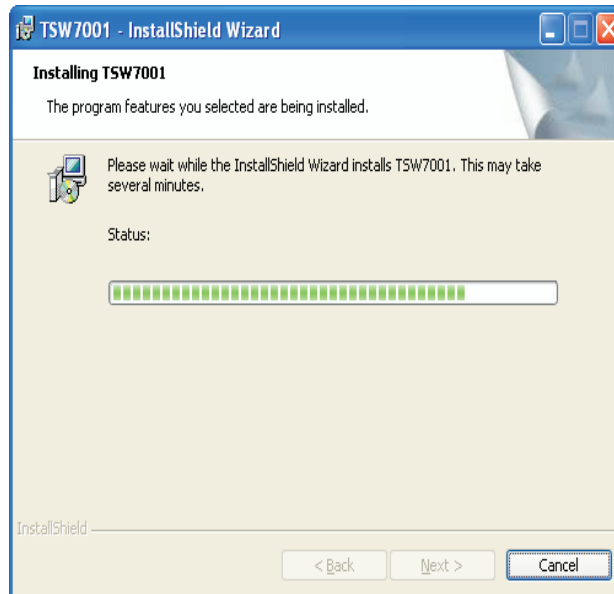
Read and accept the end-user license agreement, and click Next.



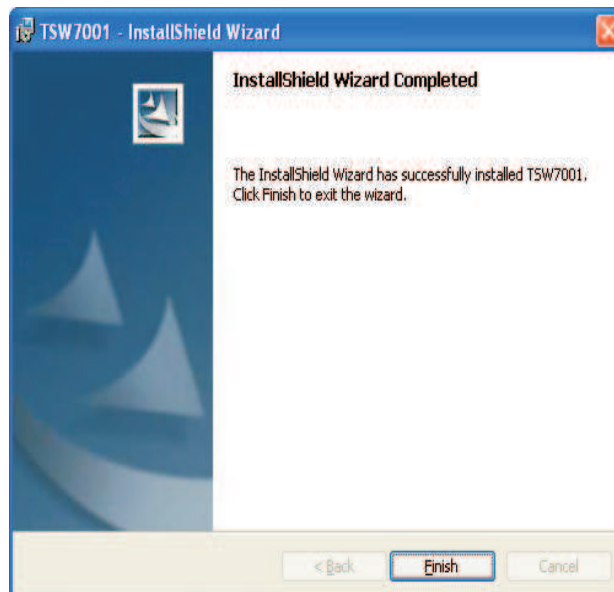
Set up the User Name and Organization. Click Next.



Do a Complete Install. Click Next, then click Install.



Wait a couple of minutes for the installer to complete. Then Click Finish.



The new executable can be found under the Programs\Texas Instruments\TSW7001 folder from the Start menu or in the

C: drive at C:\Program Files\Texas Instruments\TSW7001\TSW7001\_DAC8831\_USB\_GUI.exe

Plug in the USB cable to the PC and the TSW7001. This causes the hardware wizard to detect the TSW7001 and start installing the drivers. Click Continue Anyway when asked about Windows Compatibility.



The hardware is found and is ready to use.

### 5.3 TSW7001 GUI Software

Once the TSW7001 GUI is started, and the EVM has gone through USB enumeration, the CONNECT button must be pressed to establish an open communications channel between the PC and the TSW7001. The GUI responds with a message indicating that communication has been established.

At this point, static voltage levels can be programmed to set the VCA824 to a fixed gain from the front panel by entering decimal values in the Write text box and clicking the WRITE button. The control DAC values can range from 0-65535 (16 bit DAC). The 40-dB gain is controlled by this voltage.

The front panel also has two special cyclic functions: a step function and a ramp function. The step function has a text box to enter the low-step DAC value and the time length and the high-step DAC value and the time length. Each unit of time is accounted as one time tick which is one USB update cycle. This varies from computer to computer and can be 10-30 ms long. The ramp function is similar and requires entering the start and stop values of the ramp and the rise and fall time length in time-tick increments.

Logging of the data writes is optional and can be controlled by checking the Log Output box. The message window can be cleared with the Clear button.



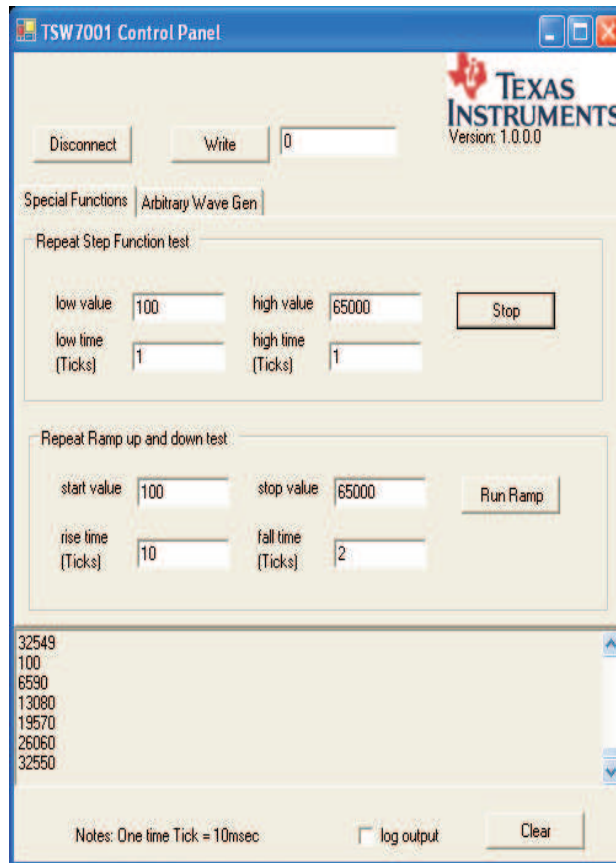


Figure 5. TSW7001 Control Voltage GUI

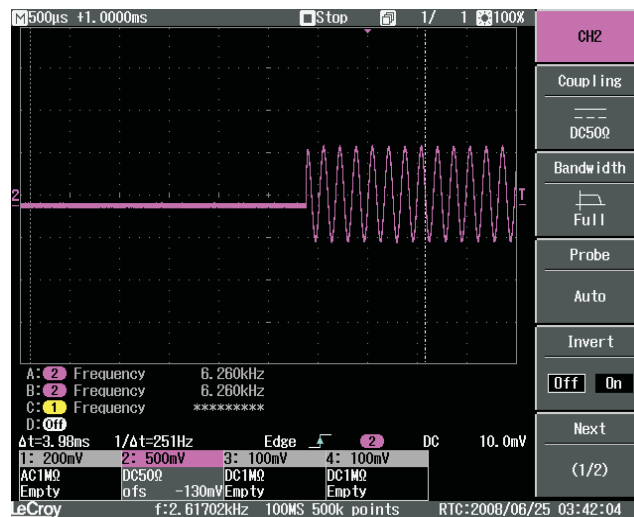


Figure 6. TSW7001 Output for Step Function

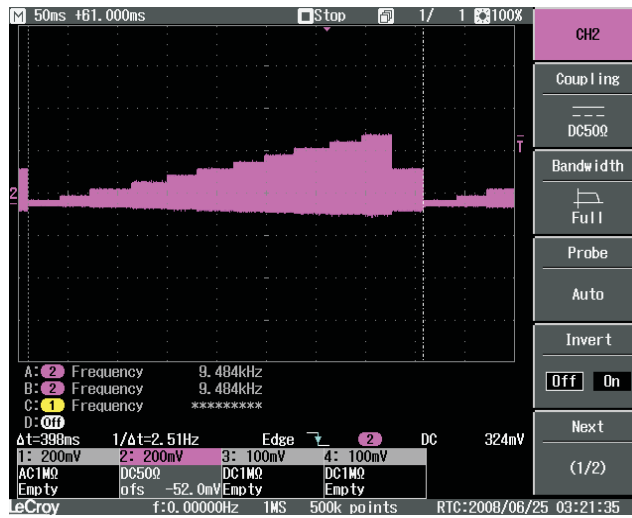


Figure 7. TSW7001 Ramp Output

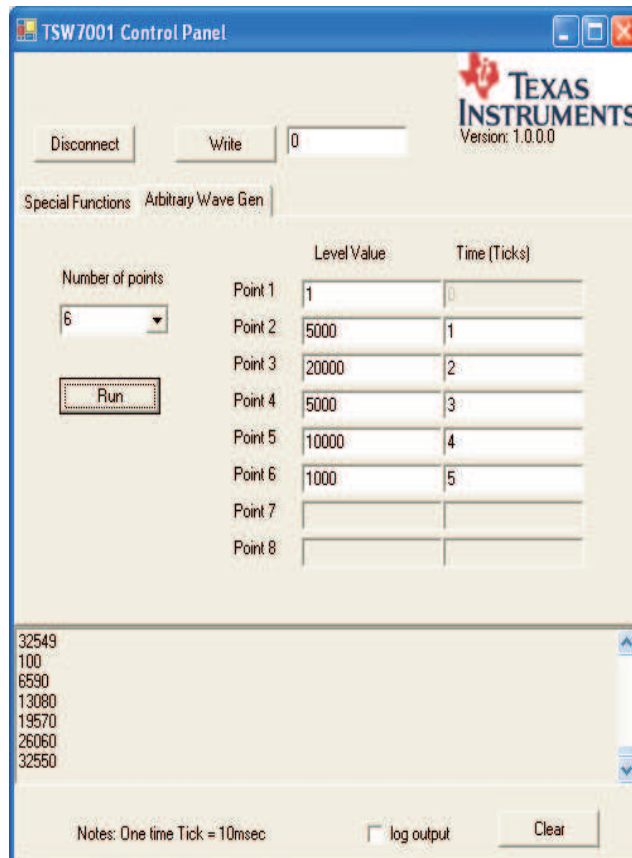


Figure 8. TSW7001 Arbitrary Gain Profile Panel

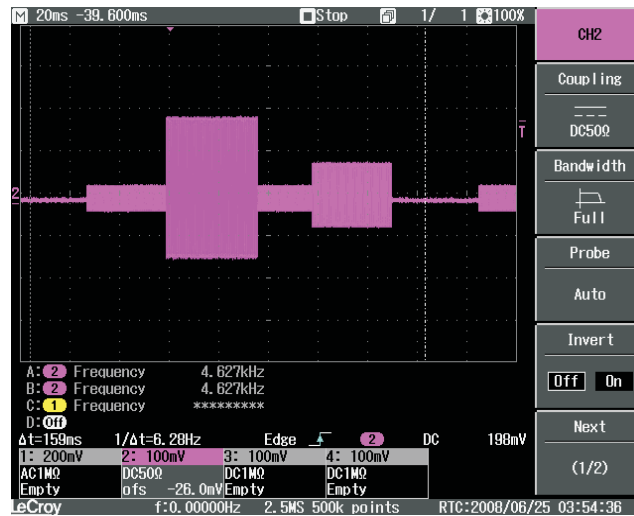


Figure 9. Output of TSW7001 With Arbitrary Gain Profile

## 6 TSW7001 EVM Introduction

The TSW7001 was designed to provide an easy way to test the VCA824 in a high-performance, voltage-controlled gain application. The EVM includes a 16-bit DAC8831 voltage-controlled DAC to precisely control the voltage-controlled gain of the VCA824. An optional high-impedance input stage, consisting of an OPA656 circuit, can be enabled to implement a transimpedance function for connection to a photodiode application. The output of the VCA is designed to drive out to 50-Ω test equipment.

### 6.1 Jumper Settings

Two solder jumpers can be used to bypass the OPA656 (default) or enable the OPA656 in the signal path. SJP5 and SJP6 must be in the 1-2 position by default to bypass, or in 2-3 position to enable the OPA656.

Optional external power supplies can be used for the OPA656 and VCA824. This requires that some ferrite beads be removed to isolate the V+ and V- supplies.

### 6.2 Input/Output Connectors

Table 1 lists the input and output connectors.

Table 1. Input and Output Connections

REFERENCE DESIGNATOR	LABEL	CONNECTOR TYPE	DESCRIPTION
J26	IN	SMA	Input ac signal / Connection for external photodiode
J27	OUT	SMA	Output from VCA824 – 50-Ω source impedance
J13	USB	USB CONN	USB input
J12	CONN JACK PWR	Power Jack	Power input for 6-V wall supply
J24	6.0V IN	Banana Jack	+6-V input banana jack
J25	GND	Banana Jack	GND

### 6.3 USB Interface

The TSW7001 contains a 4-pin, USB port connector to interface to a USB 1.1 or later compliant USB port. Programming the DAC8831 control voltage is accomplished through this connector.

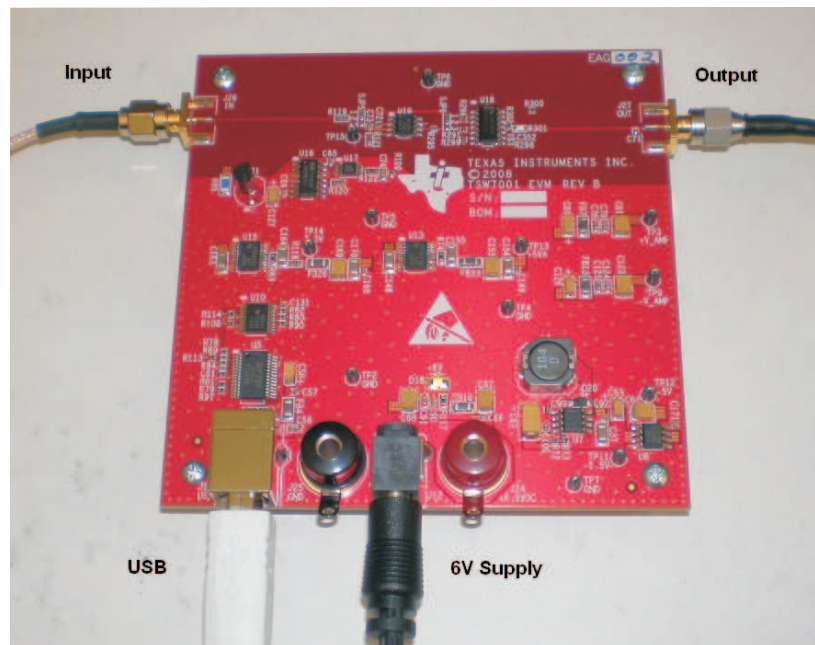
## 6.4 Power Management

The TSW7001 requires an input of 6 Vdc either from the banana jack connectors or the supplied 6-V wall supply. A current rating of at least 2 A is recommended for the 6-V supply. The rest of the supplies: 3.3,  $\pm 5$  V are all generated on the board with linear regulators.

## 7 Demonstration Kit Test Configuration

### 7.1 Test Setup Block diagram

The test setup for the TSW7001 is shown in [Figure 10](#). This setup shows an input signal from a signal generator applied at the input of the TSW7001. The output from the VCA824 is fed into an oscilloscope, spectrum analyzer, or some other 50- $\Omega$  terminated test equipment.



**Figure 10. TSW7001 Test Setup**

### 7.2 Test Equipment

The following test equipment is required for testing the TSW7001. Some other equipment can be used; however, results can vary due to limitations of the instruments.

- Power supply 6 Vdc, 2 A.
- Spectrum Analyzer: Rhode & Schwarz FSU, FSQ, or equivalent
- Oscilloscope: Tektronik, LeCroy or other
- Pattern generator: Agilent ESG or other signal source
- Digital voltmeter to verify signal levels

### 7.3 Typical Performance Measurements

The gain of the VCA824 is controlled by the voltage output of the DAC8831. The DAC8831 uses a 1.2-V reference to generate a 2-Vpp signal, which is buffered and level-shifted by an OPA727 to produce a  $\pm 1$ -V signal to drive the VCA824 gain control pin. The -1 V corresponds to the minimum gain of 0 dB (or maximum loss of -40 dB from nominal gain). The +1 V corresponds to maximum gain of +40 dB (or minimum loss of 0 dB from nominal gain).

The input of the TSW7001 is by default terminated with a 50-Ω to ground to enable a connection to a 50-Ω signal source.

Typical IMD3 and harmonic distortion data was obtained for the default case of 40-dB gain (Rf=402, Rg=18) driving 100 Ω at the output of the TSW7001 (50-Ω source into 50-Ω spectrum analyzer).

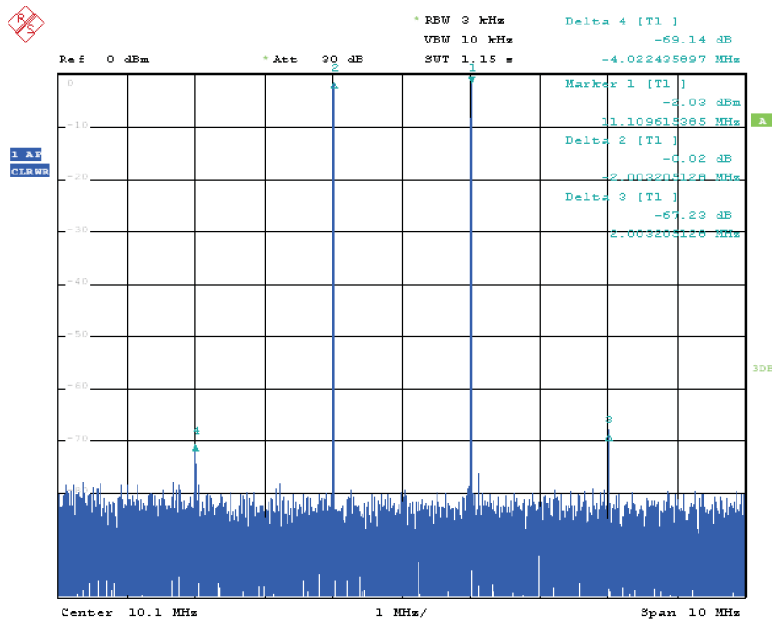


Figure 11. IMD3 Plot for TSW7001 at 10 MHz

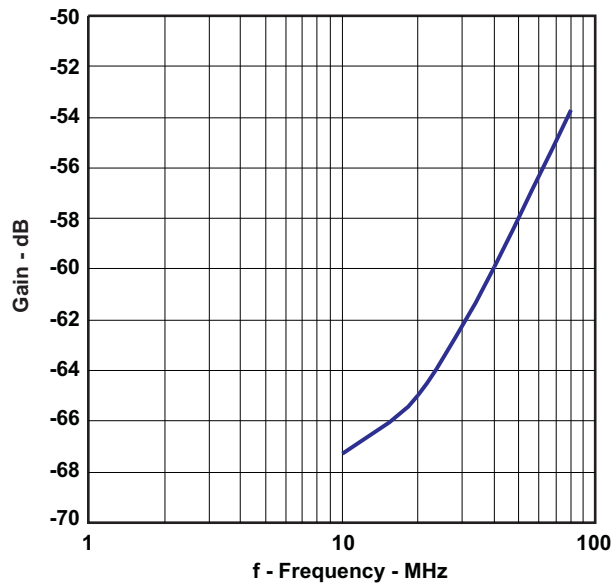
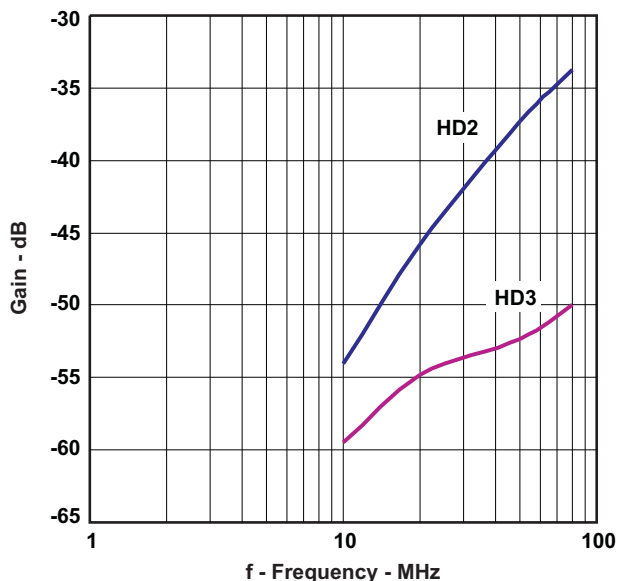


Figure 12. IMD3 for TSW7001 in 40-dB Gain Mode



**Figure 13. Harmonic Distortion for TSW7001 in 40-dB Gain Mode**

## 8 Initial Power Up and Test

Plug in the 6-V power supply. This lights up the power LED D18.

Plug in the USB cable, and connect it to the PC. Allow a few seconds for the USB to register and enumerate. Once the computer has detected the TSW7001 EVM, then start the TSW7001 Control Panel GUI – refer to [Section 5](#). Ensure that the TSW7001 Control Panel GUI connects to the TSW7001 EVM.

### 8.1 Initial Test

Do not connect any input signals into J26 at this time. Change the static voltage register value in the GUI to 0, and click WRITE. Monitor the voltage level at C74. This level reads  $-1$  V. Change the static register value to 65535, click WRITE. This generates a  $+1$  V on C74. This is the range of the control voltage used to control the gain of the VCA824. Set the register value back to 0 ( $-1$  V for minimum gain).

### 8.2 Functional Test

Connect a 50- $\Omega$  signal source to the input of the TSW7001EVM at J26. Set the signal frequency to 10 MHz, and the amplitude to  $-20$  dBm.

Set the static voltage register value to 32767 (midscale) to set the control voltage to about 0 Vdc. Verify at the output SMA J27 that the 10-MHz tone changes to 20 dB.

Verify that the cyclic step and ramp functions on the first tab of the GUI by entering values for the step and ramp. Monitor on an oscilloscope that the sine-wave amplitude is changing as expected.

Verify that the arbitrary cyclic function on the second tab of the GUI by entering some arbitrary gain steps.

## 9 Optional Configurations

### 9.1 Optional OPA656 Input Buffer

An OPA656 amplifier is included on the EVM to be used as an input buffer stage. The OPA656 combines a wideband, unity-gain-stable, voltage-feedback operational amplifier with a FET-input stage to offer an ultra-high, dynamic-range amplifier for buffering and transimpedance applications. Extremely low dc errors give good precision in optical applications.

The high unity-gain-stable bandwidth and JFET input allows exceptional performance in high-speed, low-noise integrators.

The high-input impedance and low-bias current provided by the FET input is supported by the ultra-low, 7-nV/Hz, input voltage noise to achieve a low integrated noise in wideband photodiode transimpedance applications.

Broad transimpedance bandwidths are achievable given the OPA656's high 230-MHz-gain bandwidth product. As shown in Figure 14, a  $-3$ -dB bandwidth of 1 MHz is provided even for a high  $1\text{-M}\Omega$  transimpedance gain from a  $47\text{-pF}$  source capacitance.

This amplifier is by default bypassed; however, it can be placed back in the signal path by changing the position of SJP5 and SJP6 to 2-3. The input and feedback circuits of the OPA656 have to be modified appropriately for the intended application. Contact factory applications support for help with specific requirements.

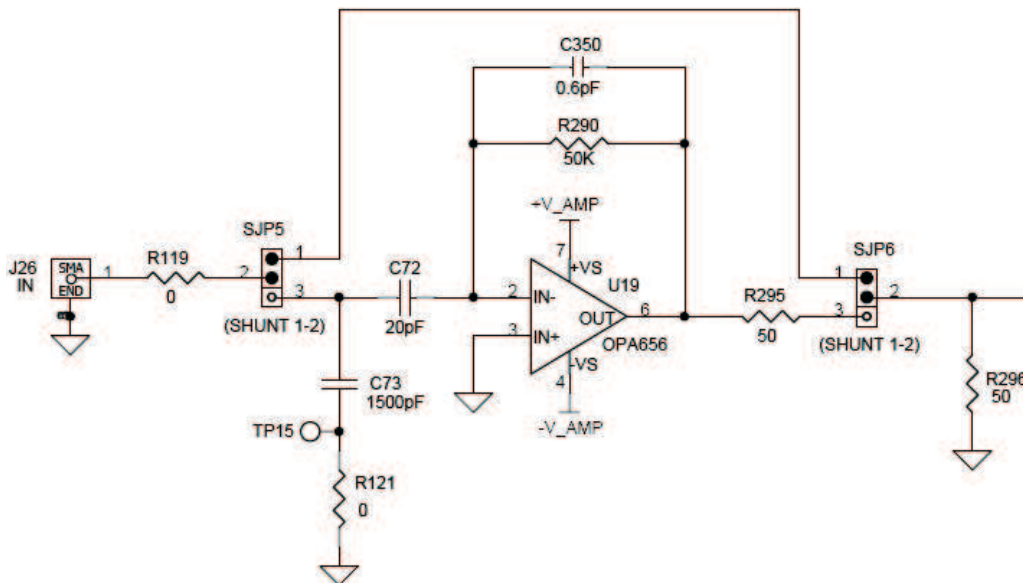


Figure 14. Optional Path for OPA656 Input Buffer/Transimpedance Amplifier.

## 9.2 Different Amplifier Voltage Supplies

When changing the amplifier power supplies from the onboard  $\pm 5$  V to some external supply, it is important to ensure that the voltages to the OPA656 stay within  $\pm 4$  V to  $\pm 6$  V. Remove the ferrite beads that connect the OPA656 to the  $\pm$ Vamp supplies (FB7, FB13). External supplies then can be connected to the +VAMP and -VAMP test points (TP3, TP9). The onboard 5 V is still used by other onboard circuits.

## 10 Bill of Materials and Schematics

This section contains the bill of materials and schematics for the TSW7001EVM.

**Table 2. Bill of Materials**

QTY	Part Reference	Value	PCB Footprint	Mfr Name	Mfr Part No.	Note
1	C37	2.2 $\mu$ F	1206	Murata	GRM31MR71C225KA35L	
2	C38 C39	2.2 $\mu$ F	TANT_A	ROHM	TCA1C225M8R	
3	C56 C79 C124	0.01 $\mu$ F	0603	Panasonic	ECJ-1VB1C103K	
10	C57 C61 C65 C66 C69 C100 C131 C149 C168 C352	0.1 $\mu$ F	0402	Panasonic	ECJ-0EB1C104K	
1	C58	4.7 $\mu$ F	tant_a	AVX	TAJA475K020R	
2	C59 C60	47 pF	0603	Panasonic	ECJ-1VC1H470J	
1	C62	100 $\mu$ F	tant_c	AVX	TPSC1070M010R0075	
1	C63	1 $\mu$ F	tant_a	AVX	T494A105M016AT	
1	C64	4.7 $\mu$ F	tant_b	AVX	T494B475M010AT	
6	C67 C68 C81 C123 C153 C169	47 $\mu$ F	tant_b	Kemet	T494B476M010AS	
0	C71	0.1 $\mu$ F	0402	Panasonic	ECJ-0EB1C104K_DNI	DNI
1	C72	20 pF	0402	Murata	GRM1555C1H200JZ01D	
1	C73	1500 pF	0402	Panasonic	ECJ-0EB1E152K	
1	C74	3900 pF	0603	Panasonic	ECJ-1VB1H392K	
3	C78 C91 C125	1 $\mu$ F	0603	Panasonic	ECJ-1V41E105M	
3	C80 C126 C127	10 $\mu$ F	tant_a	Kemet	T494A106M016AS	
3	C90 C92 C99	0.01 $\mu$ F	0402	Panasonic	ECJ-0EB1E103K	
6	C148 C154 C155 C163 C164 C170	10 uF	1206	Panasonic	ECJ-3YB1C106K	LOW ESR
1	C171	0.015 $\mu$ F	0402	Panasonic	ECJ0EB1C153K	
1	C350	0.6 pF	0603	AVX	06035J0R6PBTTTR	
1	C351	X2Y 0.1 $\mu$ F	FILTER_3_SM_X2Y_0603	Yageo	CX0603MRX7R6BB104	
1	D18	LED green	LED_0805	Panasonic	LNJ306G5UUX	
1	D20	20V, 1A	MCC_SOD123	On Semi	MBR120LSFT1	
6	FB4 FB7 FB13 FB16 FB23 FB26	68 $\Omega$ at 100 MHz	1206	Panasonic	EXC-ML32A680U	
1	J12	CONN JACK PWR	CON_RAPC722_JACK_THVT_3	Switchcraft	RAPC722	
1	J13	USB_B_S_F_B_TH	CON_THRT_USB_B_F	SAMTEC	USB-B-S-F-B-TH	
1	J24	BANANA_JACK_RED	CON_THVT_BANANA_JACK_250DIA	SPC Technology	845-R	
1	J25	BANANA_JACK_BLK	CON_THVT_BANANA_JACK_250DIA	SPC Technology	845-B	
2	J26 J27	SMA_END_JACK_RND	SMA_SMEL_373x312	Johnson Components	142-0701-801	
1	L9	100 $\mu$ H	IND_SM_MSS1048	COILCRAFT	MSS1048-104MLB	
5	R72 R108 R109 R113 R114	10K	0402	Panasonic	ERJ-2RKF1002X	
1	R73	2.87K, 62 mW	0402	Panasonic	ERJ-2RKF2872X	
2	R74 R83	100K	0603	Panasonic	ERJ-3EKF1003V	
6	R78 R79 R81 R84 R89 R97	22.1	0402	Panasonic	ERJ-2RKF22R1X	
3	R80 R82 R90	100	0402	Panasonic	ERJ-2RKF1000X	
1	R85	250K	1206	Ohmite	HVF1206T2503FE	
1	R117	300	0603	Panasonic	ERJ-3EKF3000V	
4	R118–R121	0	0603	Panasonic	ERJ-3GEY0R00V	
1	R122	2K	0603	Vishay	CRCW06032K00FKEA	
1	R290	50K	1206	Ohmite	HVF1206T5002FE	
1	R291	18	0402	Panasonic	ERJ-2RKF18R0X	
3	R295 R296 R299	50	0402	Vishay	FC0402E50R0BST1	
2	R298 R300	20	0402	Panasonic	ERJ-2RKF20R0X	
1	R301	50	0603	Vishay	FC0603E50R0BTBST1	
1	R302	402	0402	Panasonic	ERJ-2RKF4020X	
2	SJP5 SJP6	Jumper_1x3_SMT	SMD_BRIDGE_1x3_0603	DNI	DNI	(SHUNT 1-2)
12	TP2–TP7, TP9, TP11–TP15	Testloop_Black	TP_THVT_060_RND	Components Corporation	TP-105-01-00	

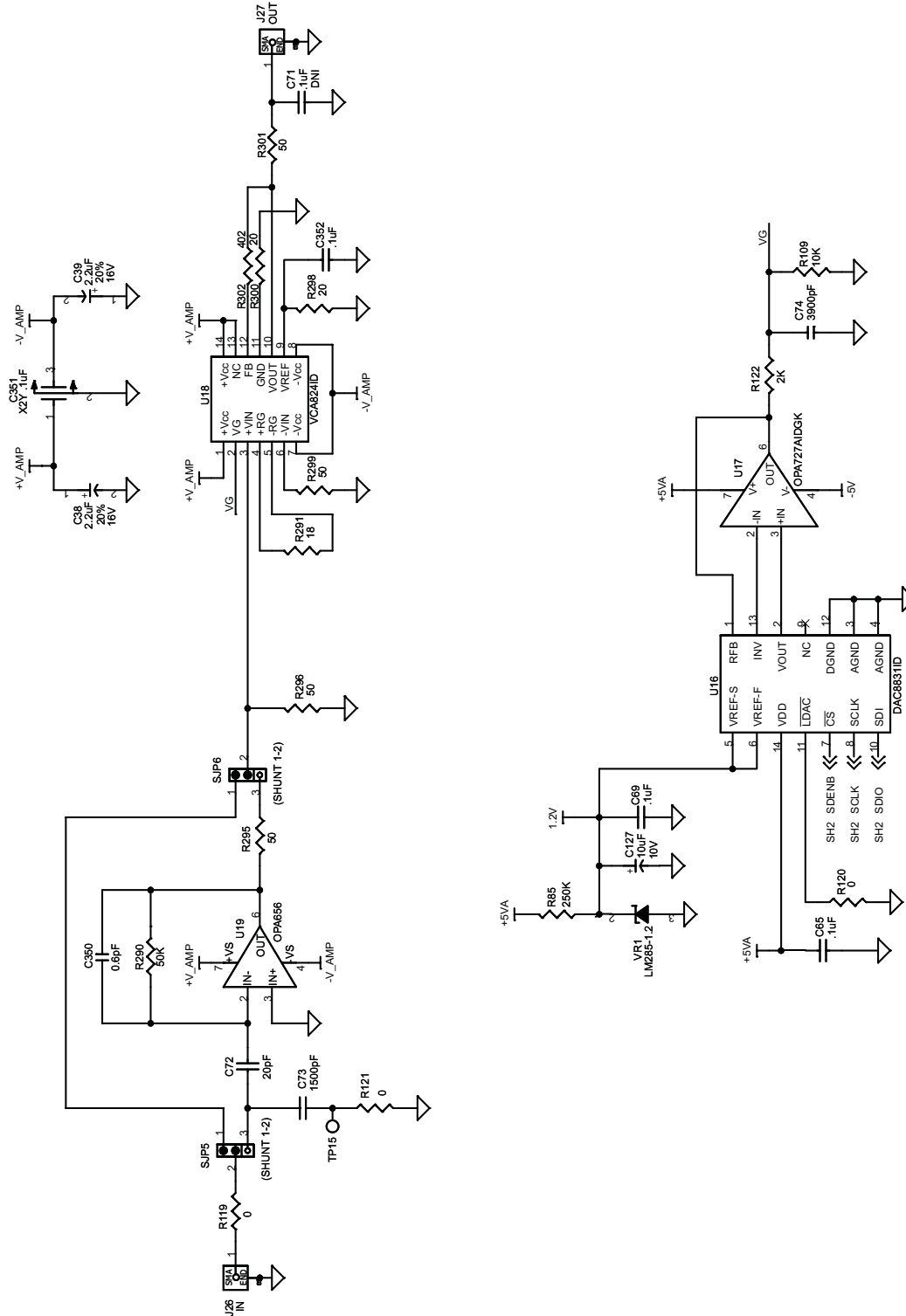


**Table 2. Bill of Materials (continued)**

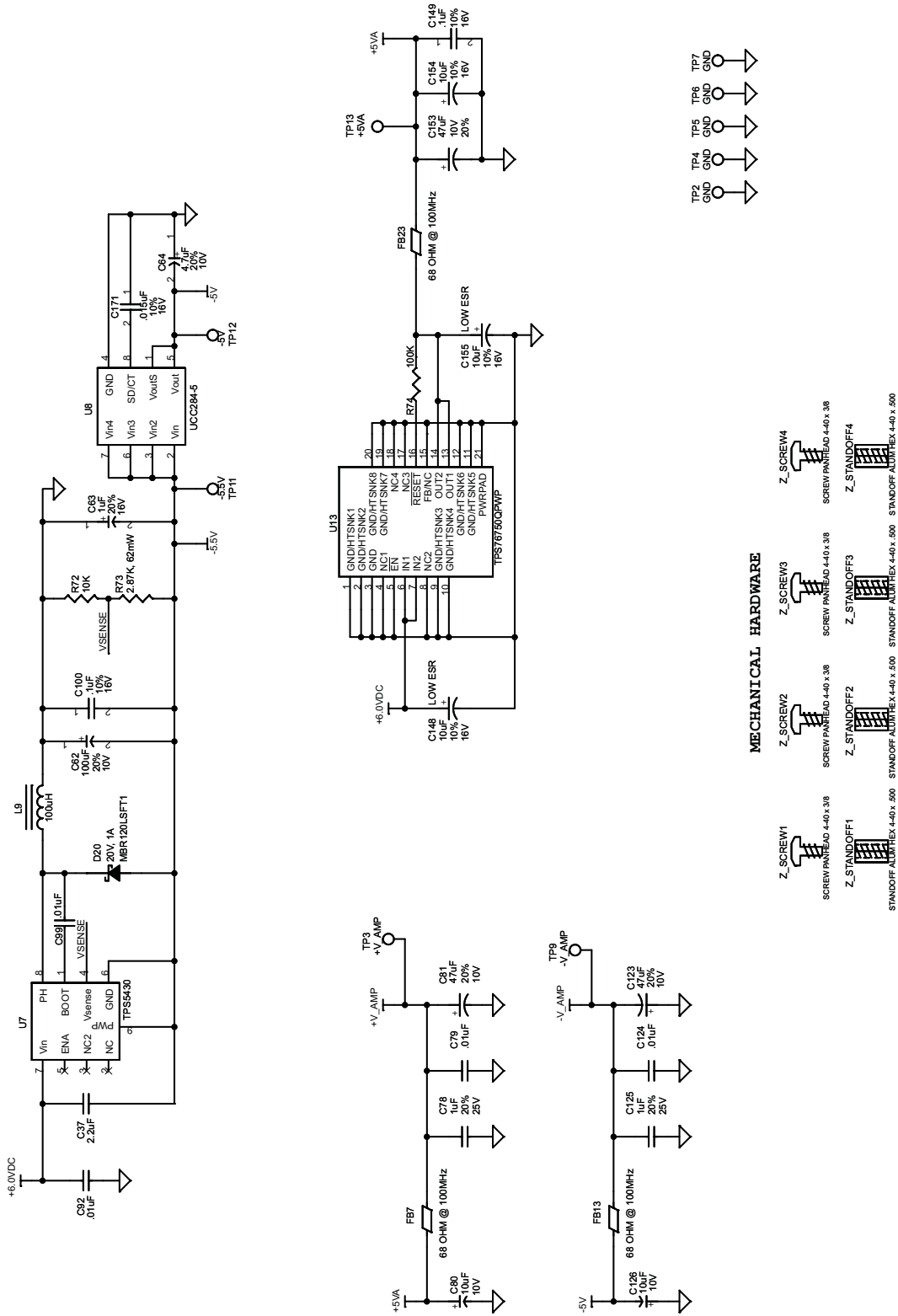
QTY	Part Reference	Value	PCB Footprint	Mfr_Name	Mfr_Part_No.	Note
1	U5	FT245RL	SSOP_28_413x220_26	FTDI Chip	FT245RL	
1	U7	TPS5430	PSOP_8P_THERMAL	Texas Instruments	TPS5430DDA	
1	U8	UCC284-5	SOIC_8	Texas Instruments	UCC285-5	
1	U10	SN74AHC541PW	TSSOP_20_260x177_26	Texas Instruments	SN74AHC541PW	
1	U13	TPS76750QPWP	HTSSOP_20_260x177_26_pwrpad	Texas Instruments	TPS76750QPWP	
1	U15	TPS76733QPWP	HTSSOP_20_260x177_26_pwrpad	Texas Instruments	TPS76733QPWP	
1	U16	DAC8831ID	SO_14_344x157_50	Texas Instruments	DAC8831ID	
1	U17	OPA727AIDGK	HTSSOP_8_120x120_26	Texas Instruments	OPA727AIDGK	
1	U18	VCA824ID	SO_14_344x157_50	Texas Instruments	VCA824ID	
1	U19	OPA656	SO_8_197x157_50	Texas Instruments	OPA656U	
1	VR1	LM285-1.2	TO_226	Texas Instruments	LM285-1.2	
4		Screw panhead 4-40 x 3/8		Building Fasteners	PMS 440 0038 PH	Screw for standoff
2	FOR SJP5 & SPJ6	Shunt-jumper-0603		Panasonic	ERJ-3GE0R00X	Shunt for jumper
4		Standoff alum hex 4-40 x 0.500		Keystone	2203	Standoff

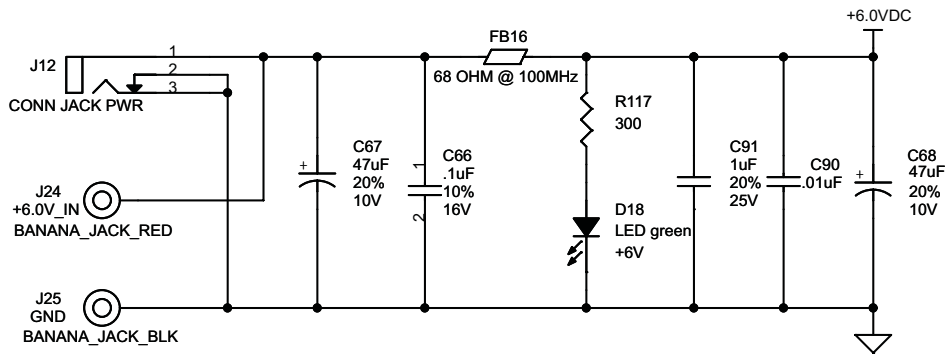
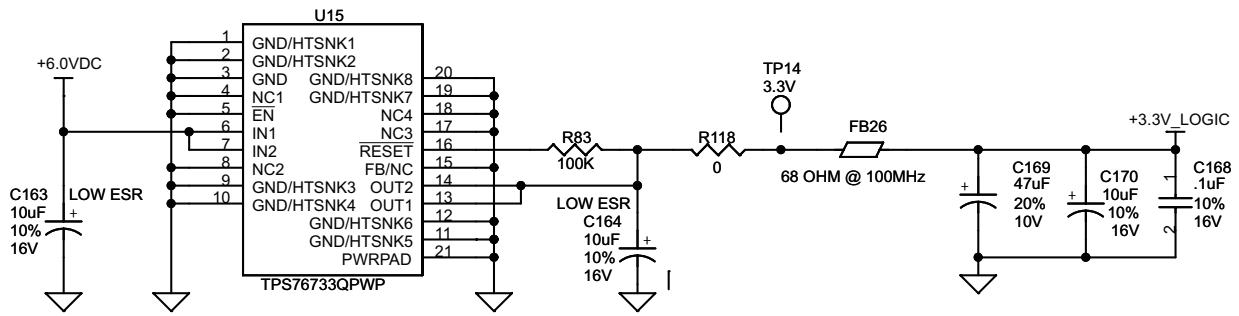
### 10.1 Schematics

The TSW7001EVM schematics follow.









## 11 References

1. *Control Frequency Response and Noise in Broadband , Photodetector, Transimpedance Amplifiers*, Michael Steffes, Electronic Design News, July 4, 1996.
2. *VCA824, Ultra-Wideband, >40dB Gain Adjust Range, Linear in V/V Variable Gain Amplifier* data sheet ([SBOS394](#))
3. *OPA656, Wideband, Unity-Gain Stable, FET-Input Operational Amplifier* data sheet ([SBOS196](#))

## EVALUATION BOARD/KIT IMPORTANT NOTICE

Texas Instruments (TI) provides the enclosed product(s) under the following conditions:

This evaluation board/kit is intended for use for **ENGINEERING DEVELOPMENT, DEMONSTRATION, OR EVALUATION PURPOSES ONLY** and is not considered by TI to be a finished end-product fit for general consumer use. Persons handling the product(s) must have electronics training and observe good engineering practice standards. As such, the goods being provided are not intended to be complete in terms of required design-, marketing-, and/or manufacturing-related protective considerations, including product safety and environmental measures typically found in end products that incorporate such semiconductor components or circuit boards. This evaluation board/kit does not fall within the scope of the European Union directives regarding electromagnetic compatibility, restricted substances (RoHS), recycling (WEEE), FCC, CE or UL, and therefore may not meet the technical requirements of these directives or other related directives.

Should this evaluation board/kit not meet the specifications indicated in the User's Guide, the board/kit may be returned within 30 days from the date of delivery for a full refund. **THE FOREGOING WARRANTY IS THE EXCLUSIVE WARRANTY MADE BY SELLER TO BUYER AND IS IN LIEU OF ALL OTHER WARRANTIES, EXPRESSED, IMPLIED, OR STATUTORY, INCLUDING ANY WARRANTY OF MERCHANTABILITY OR FITNESS FOR ANY PARTICULAR PURPOSE.**

The user assumes all responsibility and liability for proper and safe handling of the goods. Further, the user indemnifies TI from all claims arising from the handling or use of the goods. Due to the open construction of the product, it is the user's responsibility to take any and all appropriate precautions with regard to electrostatic discharge.

**EXCEPT TO THE EXTENT OF THE INDEMNITY SET FORTH ABOVE, NEITHER PARTY SHALL BE LIABLE TO THE OTHER FOR ANY INDIRECT, SPECIAL, INCIDENTAL, OR CONSEQUENTIAL DAMAGES.**

TI currently deals with a variety of customers for products, and therefore our arrangement with the user **is not exclusive.**

TI assumes **no liability for applications assistance, customer product design, software performance, or infringement of patents or services described herein.**

Please read the User's Guide and, specifically, the Warnings and Restrictions notice in the User's Guide prior to handling the product. This notice contains important safety information about temperatures and voltages. For additional information on TI's environmental and/or safety programs, please contact the TI application engineer or visit [www.ti.com/esh](http://www.ti.com/esh).

No license is granted under any patent right or other intellectual property right of TI covering or relating to any machine, process, or combination in which such TI products or services might be or are used.

### FCC Warning

This evaluation board/kit is intended for use for **ENGINEERING DEVELOPMENT, DEMONSTRATION, OR EVALUATION PURPOSES ONLY** and is not considered by TI to be a finished end-product fit for general consumer use. It generates, uses, and can radiate radio frequency energy and has not been tested for compliance with the limits of computing devices pursuant to part 15 of FCC rules, which are designed to provide reasonable protection against radio frequency interference. Operation of this equipment in other environments may cause interference with radio communications, in which case the user at his own expense will be required to take whatever measures may be required to correct this interference.

### EVM WARNINGS AND RESTRICTIONS

It is important to operate this EVM within the input voltage range of 6 V to 6.5 V and the output voltage range of 8 V to 10 V.

Exceeding the specified input range may cause unexpected operation and/or irreversible damage to the EVM. If there are questions concerning the input range, please contact a TI field representative prior to connecting the input power.

Applying loads outside of the specified output range may result in unintended operation and/or possible permanent damage to the EVM. Please consult the EVM User's Guide prior to connecting any load to the EVM output. If there is uncertainty as to the load specification, please contact a TI field representative.

During normal operation, some circuit components may have case temperatures greater than 80°C. The EVM is designed to operate properly with certain components above 80°C as long as the input and output ranges are maintained. These components include but are not limited to linear regulators, switching transistors, pass transistors, and current sense resistors. These types of devices can be identified using the EVM schematic located in the EVM User's Guide. When placing measurement probes near these devices during operation, please be aware that these devices may be very warm to the touch.

Mailing Address: Texas Instruments, Post Office Box 655303, Dallas, Texas 75265  
Copyright © 2008, Texas Instruments Incorporated

## IMPORTANT NOTICE

Texas Instruments Incorporated and its subsidiaries (TI) reserve the right to make corrections, modifications, enhancements, improvements, and other changes to its products and services at any time and to discontinue any product or service without notice. Customers should obtain the latest relevant information before placing orders and should verify that such information is current and complete. All products are sold subject to TI's terms and conditions of sale supplied at the time of order acknowledgment.

TI warrants performance of its hardware products to the specifications applicable at the time of sale in accordance with TI's standard warranty. Testing and other quality control techniques are used to the extent TI deems necessary to support this warranty. Except where mandated by government requirements, testing of all parameters of each product is not necessarily performed.

TI assumes no liability for applications assistance or customer product design. Customers are responsible for their products and applications using TI components. To minimize the risks associated with customer products and applications, customers should provide adequate design and operating safeguards.

TI does not warrant or represent that any license, either express or implied, is granted under any TI patent right, copyright, mask work right, or other TI intellectual property right relating to any combination, machine, or process in which TI products or services are used. Information published by TI regarding third-party products or services does not constitute a license from TI to use such products or services or a warranty or endorsement thereof. Use of such information may require a license from a third party under the patents or other intellectual property of the third party, or a license from TI under the patents or other intellectual property of TI.

Reproduction of TI information in TI data books or data sheets is permissible only if reproduction is without alteration and is accompanied by all associated warranties, conditions, limitations, and notices. Reproduction of this information with alteration is an unfair and deceptive business practice. TI is not responsible or liable for such altered documentation. Information of third parties may be subject to additional restrictions.

Resale of TI products or services with statements different from or beyond the parameters stated by TI for that product or service voids all express and any implied warranties for the associated TI product or service and is an unfair and deceptive business practice. TI is not responsible or liable for any such statements.

TI products are not authorized for use in safety-critical applications (such as life support) where a failure of the TI product would reasonably be expected to cause severe personal injury or death, unless officers of the parties have executed an agreement specifically governing such use. Buyers represent that they have all necessary expertise in the safety and regulatory ramifications of their applications, and acknowledge and agree that they are solely responsible for all legal, regulatory and safety-related requirements concerning their products and any use of TI products in such safety-critical applications, notwithstanding any applications-related information or support that may be provided by TI. Further, Buyers must fully indemnify TI and its representatives against any damages arising out of the use of TI products in such safety-critical applications.

TI products are neither designed nor intended for use in military/aerospace applications or environments unless the TI products are specifically designated by TI as military-grade or "enhanced plastic." Only products designated by TI as military-grade meet military specifications. Buyers acknowledge and agree that any such use of TI products which TI has not designated as military-grade is solely at the Buyer's risk, and that they are solely responsible for compliance with all legal and regulatory requirements in connection with such use.

TI products are neither designed nor intended for use in automotive applications or environments unless the specific TI products are designated by TI as compliant with ISO/TS 16949 requirements. Buyers acknowledge and agree that, if they use any non-designated products in automotive applications, TI will not be responsible for any failure to meet such requirements.

Following are URLs where you can obtain information on other Texas Instruments products and application solutions:

### Products

Amplifiers	<a href="http://amplifier.ti.com">amplifier.ti.com</a>
Data Converters	<a href="http://dataconverter.ti.com">dataconverter.ti.com</a>
DSP	<a href="http://dsp.ti.com">dsp.ti.com</a>
Clocks and Timers	<a href="http://www.ti.com/clocks">www.ti.com/clocks</a>
Interface	<a href="http://interface.ti.com">interface.ti.com</a>
Logic	<a href="http://logic.ti.com">logic.ti.com</a>
Power Mgmt	<a href="http://power.ti.com">power.ti.com</a>
Microcontrollers	<a href="http://microcontroller.ti.com">microcontroller.ti.com</a>
RFID	<a href="http://www.ti-rfid.com">www.ti-rfid.com</a>
RF/IF and ZigBee® Solutions	<a href="http://www.ti.com/lprf">www.ti.com/lprf</a>

### Applications

Audio	<a href="http://www.ti.com/audio">www.ti.com/audio</a>
Automotive	<a href="http://www.ti.com/automotive">www.ti.com/automotive</a>
Broadband	<a href="http://www.ti.com/broadband">www.ti.com/broadband</a>
Digital Control	<a href="http://www.ti.com/digitalcontrol">www.ti.com/digitalcontrol</a>
Medical	<a href="http://www.ti.com/medical">www.ti.com/medical</a>
Military	<a href="http://www.ti.com/military">www.ti.com/military</a>
Optical Networking	<a href="http://www.ti.com/opticalnetwork">www.ti.com/opticalnetwork</a>
Security	<a href="http://www.ti.com/security">www.ti.com/security</a>
Telephony	<a href="http://www.ti.com/telephony">www.ti.com/telephony</a>
Video & Imaging	<a href="http://www.ti.com/video">www.ti.com/video</a>
Wireless	<a href="http://www.ti.com/wireless">www.ti.com/wireless</a>

Mailing Address: Texas Instruments, Post Office Box 655303, Dallas, Texas 75265  
Copyright © 2008, Texas Instruments Incorporated