

BS1750/CM1750/TB1750 Series Mount

WALL, CEILING/PEDESTAL, T-BAR MOUNT FOR CAMERAS

Product Features

- Low Cost Camera Mount
- Contemporary Design
- Adjustable Swivel Head
- Supports up to 7 lb (3.2 kg)
- Wall, Ceiling, Pedestal, or False T-Rail Mounting
- Optional 4-Inch (10.16 cm) Extender Available
- CM Series Mounts Available in Gray or Black



The **CM1750**, **CM1750-BK**, **CM1750S**, **CM1750S-BK**, **TB1750**, and **BS1750** are universal camera mounts designed for use with cameras weighing up to 7 pounds (3.2 kg). All mounts feature an easily adjustable swivel head for camera positioning.

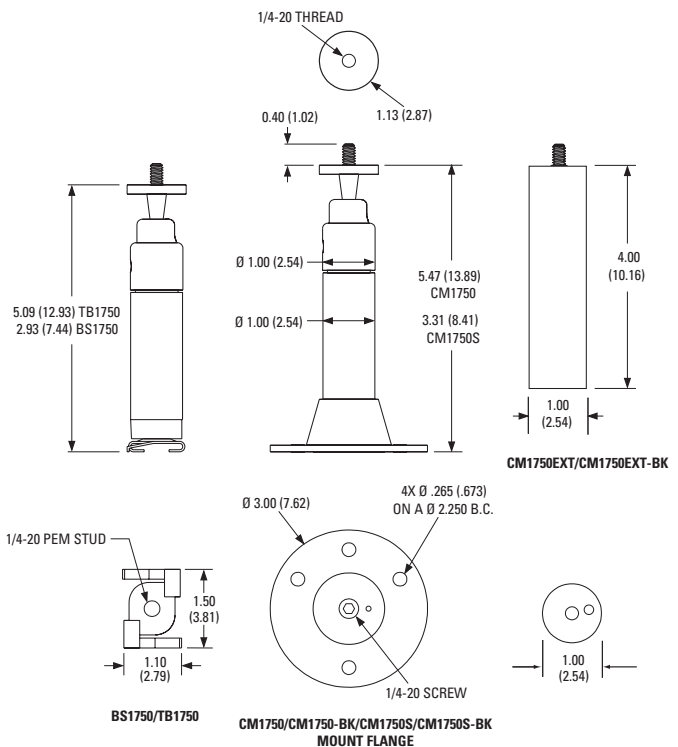
The **CM1750** and **CM1750-BK** are primarily designed for ceiling or pedestal mounting, but they can also be used for wall mounting. The **CM1750S** and **CM1750S-BK** are shorter versions of the **CM1750** and **CM1750-BK** and are recommended for ceiling or pedestal mounting applications.

These CM series universal camera mounts are available in either gray or black.

The **TB1750** is specifically engineered for mounting on a T-rail in false ceiling applications.

The **BS1750** is the swivel portion of the mount equipped with a T-rail clip for use in T-rail applications requiring a shorter mount.

In addition, an optional 4-inch extender (**CM1750EXT** or **CM1750EXT-BK**) is available for use with the **CM1750** or **TB1750** mounts. This simple tube assembly screws in-between the mount and the base, extending the maximum length of the mount by 4 inches (10.2 cm).



NOTE: VALUES IN PARENTHESES ARE CENTIMETERS; ALL OTHERS ARE INCHES.



TECHNICAL SPECIFICATIONS

MODELS

BS1750	Swivel head only with T-rail clip, gray
CM1750	Universal wall, ceiling, or pedestal camera mount with adjustable swivel head, gray
CM1750-BK	Same as CM1750 except black
CM1750S	Same as CM1750 except shorter
CM1750S-BK	Same as CM1750S except black
CM1750EXT	4-inch (10.2 cm) extension tube for use with CM1750 and TB1750 mounts, gray
CM1750EXT-BK	Same as CM1750EXT except black
TB1750	Universal T-rail camera mount with adjustable swivel head for use in false ceilings, gray

MECHANICAL

Pan Adjustment	360°
Tilt Adjustment	90° maximum
Camera Mounting	1/4-20 threaded stud with nut
Locking Method	Setscrew secures swivel assembly (Allen wrench supplied)

GENERAL

Construction	Aluminum
Finish	Gray polyester powder coat (except CM1750-BK, CM1750S-BK, and CM1750EXT-BK, which are black) with black anodized ball/swivel
Maximum Load	7 lb (3.2 kg)
Unit Weight	
BS1750	0.25 lb (0.11 kg)
CM1750/CM1750-BK	0.50 lb (0.22 kg)
CM1750S/CM1750S-BK	0.30 lb (0.14 kg)
CM1750EXT/CM1750EXT-BK	0.25 lb (0.11 kg)
TB1750	0.38 lb (0.17 kg)
Shipping Weight	
BS1750	1 lb (0.45 kg)
CM1750/CM1750-BK	2 lb (0.90 kg)
CM1750S/CM1750S-BK	1 lb (0.45 kg)
CM1750 EXT/CM1750EXT-BK	1 lb (0.45 kg)
TB1750	1 lb (0.45 kg)

CERTIFICATIONS

- UL/cUL Listed



Pelco, Inc. Worldwide Headquarters:
3500 Pelco Way, Clovis, California 93612-5699 USA
USA & Canada Tel: (800) 289-9100 • FAX: (800) 289-9150
International Tel: +1 (559) 292-1981 • FAX: +1 (559) 348-1120
www.pelco.com

Pelco and the Pelco logo are registered trademarks of Pelco, Inc.
Product specifications and availability subject to change without notice.
©Copyright 2008, Pelco, Inc. All rights reserved.