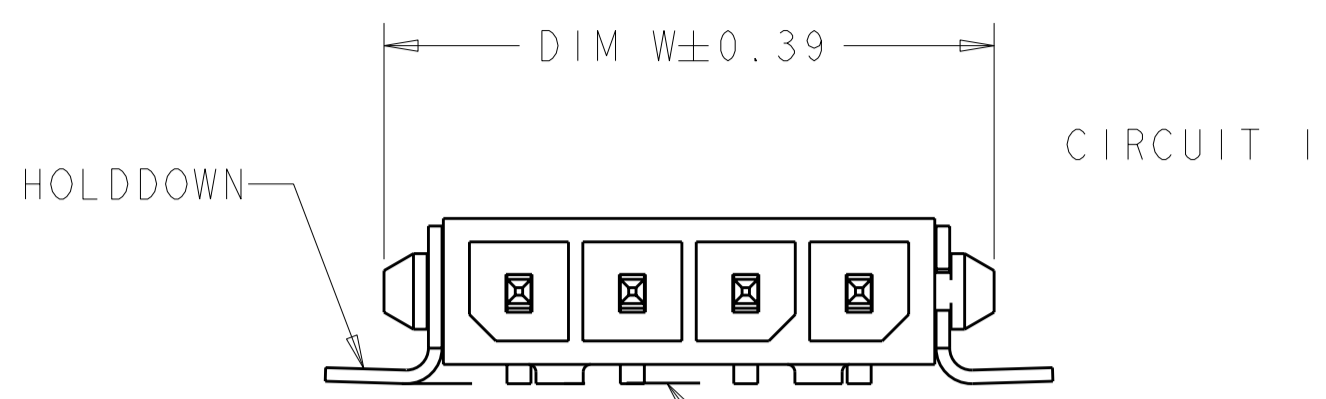
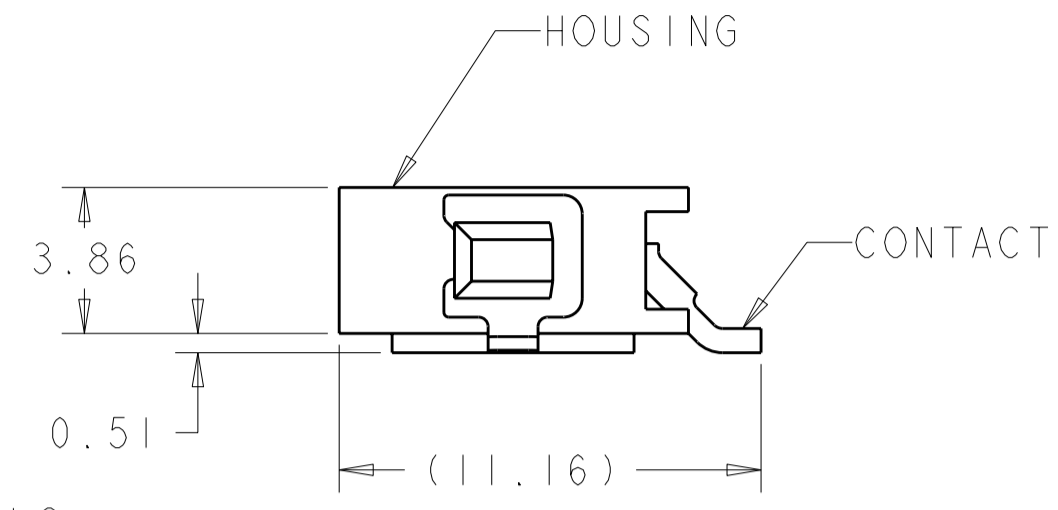


THIS DRAWING IS UNPUBLISHED. RELEASED FOR PUBLICATION 20  
 © COPYRIGHT 20 BY - ALL RIGHTS RESERVED.

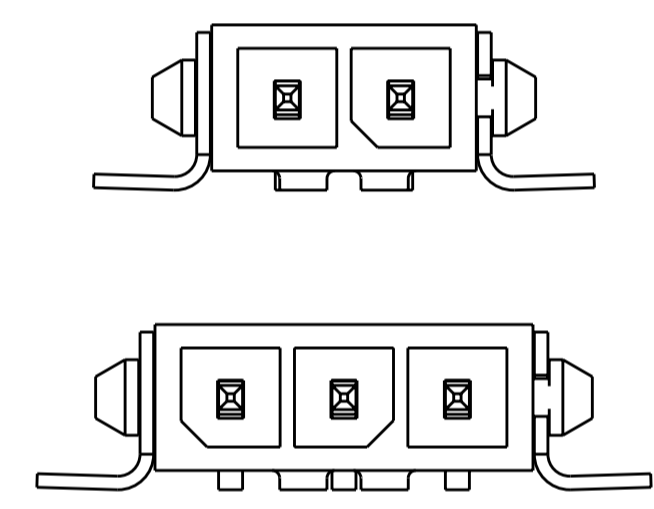
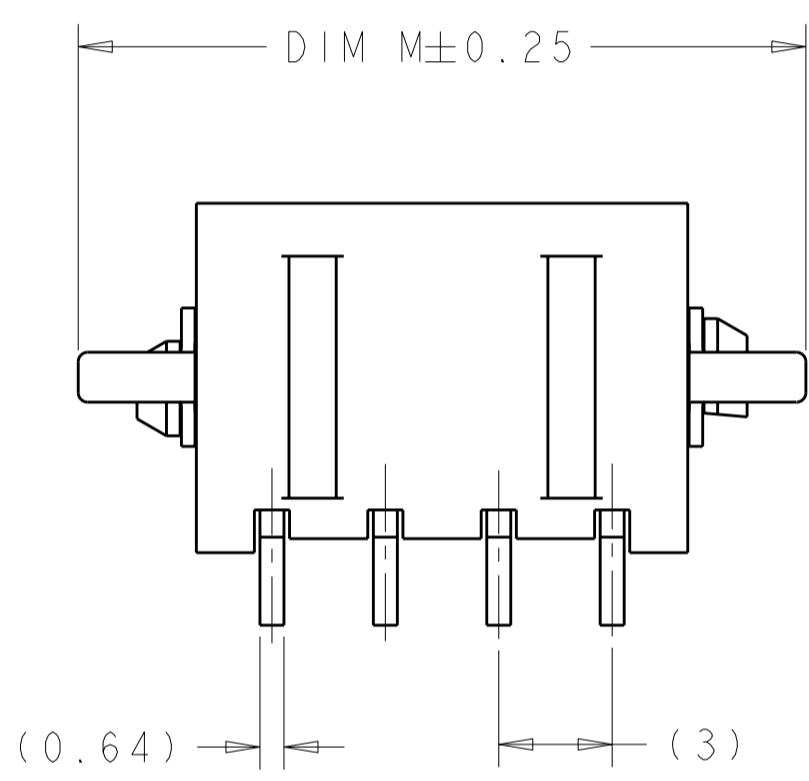
| LOC | DIST | REVISIONS |     |                           |           |     |      |
|-----|------|-----------|-----|---------------------------|-----------|-----|------|
| CM  | 00   | P         | LTR | DESCRIPTION               | DATE      | DWN | APVD |
|     |      |           | BI  | REVISED PER ECO-11-005027 | 14MAR2011 | RK  | HMR  |



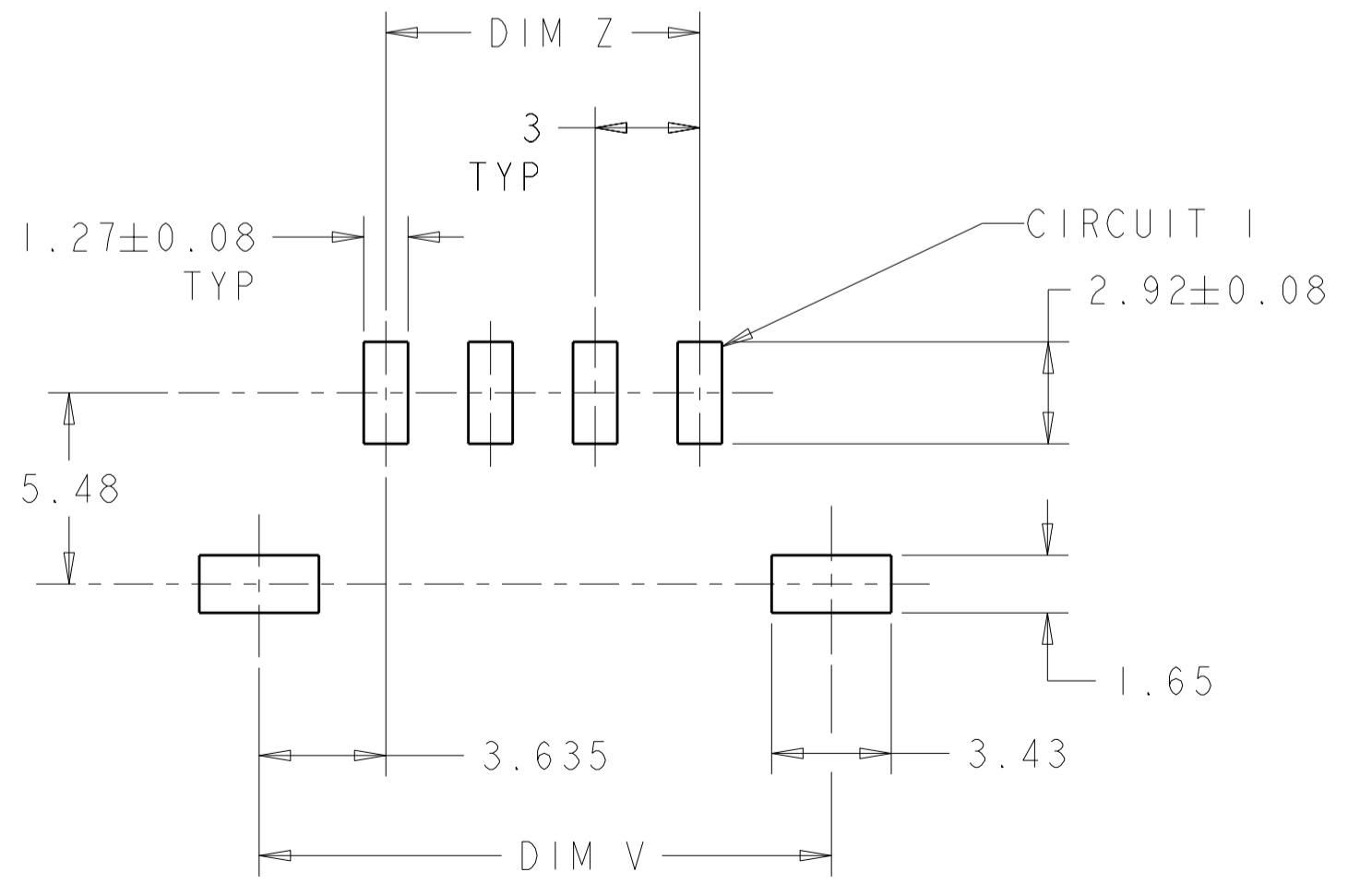
0.15  
 INCLUDES CONTACT TAILS,  
 HOUSING STANDOFFS, AND  
 BOARDLOCKS



- 1 MATERIAL: CONTACTS - BRASS  
 HOUSING - UL 94V-0 RATED HIGH TEMP NYLON,  
 COLOR NATURAL.  
 HOLDDOWNS - PHOSPHOR BRONZE.
- 2 PLATING: CONTACTS - 2.54µm MINIMUM TIN OVER 1.27µm MINIMUM NICKEL.  
 HOLDDOWNS - 2.54µm MINIMUM TIN OVER 1.27µm MINIMUM NICKEL.
- 3 RECOMMENDED PC BOARD THICKNESS OF 1.57.

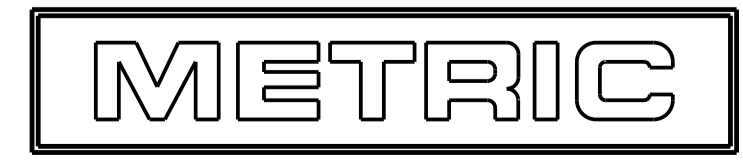


KEYING BY POSITION SIZE



PCB LAYOUT COMPONENT SIDE 3

| 19.25 | 9     | 16    | 16.41 | 4           | 2029104-4   |
|-------|-------|-------|-------|-------------|-------------|
| 16.25 | 6     | 13    | 13.41 | 3           | 2029104-3   |
| 13.25 | 3     | 10    | 10.41 | 2           | 2029104-2   |
| DIM M | DIM Z | DIM W | DIM V | NO. OF POSN | PART NUMBER |



THIS DRAWING IS A CONTROLLED DOCUMENT.

|             |   |                  |           |  |
|-------------|---|------------------|-----------|--|
| DIMENSIONS: | TOLERANCES UNLESS OTHERWISE SPECIFIED:                  | DWN              | 24MAR2008 | TE Connectivity<br>NAME RT ANG SURF MNT HDR ASSY, SGL LATCH, TIN POSTS, SURF MOUNT HOLDDOWNS, SINGLE ROW, MICRO MATE-N-LOK(TM)<br>SIZE CAGE CODE DRAWING NO RESTRICTED TO<br>A200779 C-2029104 - |
| mm          | 0 PLC ±<br>1 PLC ±<br>2 PLC ±0.13<br>3 PLC ±<br>4 PLC ± | CHK              | 24MAR2008 |  |
|             | ANGLES ±<br>FINISH ±                                    | APVD             | 24MAR2008 |  |
|             |   | PRODUCT SPEC     |           |  |
| MATERIAL    |   | APPLICATION SPEC |           | SCALE 5:1 SHEET 1 OF 1 REV BI  |
|             |   | WEIGHT           |           |  |
|             |   | CUSTOMER DRAWING |           |  |