

PANEL MOUNT INDICATOR, NON-RELAMPABLE

LED TECHNOLOGY

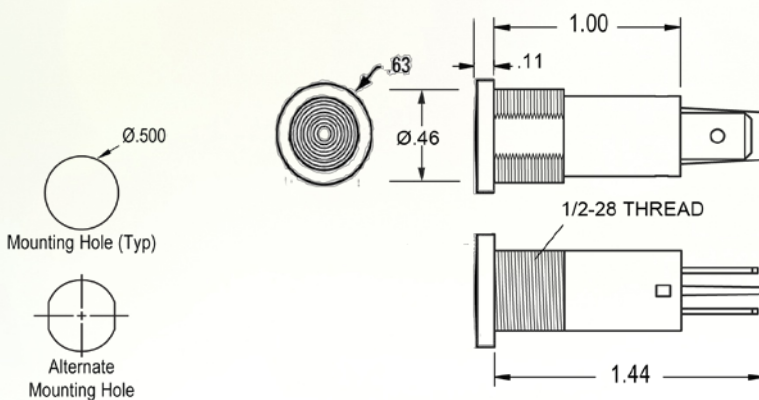
MOUNTING HOLE, Ø 0.500"

PART NO.	LENS COLOR	VOLTAGE	CURRENT [mA]	RATED LIFE HOURS
LED 6V SERIES				
WL-6391Q2D1-6V	RED	5V-6V	20mA	100,000
WL-6391Q2D3-6V	AMBER	5V-6V	20mA	100,000
WL-6391Q2D5-6V	GREEN	5V-6V	20mA	100,000
WL-6391Q2D6-6V	BLUE	5V-6V	20mA	100,000
WL-6391Q2D4-6V	WHITE	5V-6V	20mA	100,000
LED 12V SERIES				
WL-6391Q2D1-12V	RED	12V-14V	20mA	100,000
WL-6391Q2D3-12V	AMBER	12V-14V	20mA	100,000
WL-6391Q2D5-12V	GREEN	12V-14V	20mA	100,000
WL-6391Q2D6-12V	BLUE	12V-14V	20mA </td <td>100,000</td>	100,000
WL-6391Q2D4-12V	WHITE	12V-14V	20mA	100,000
LED 24V SERIES				
WL-6391Q2D1-24V	RED	24V-28V	20mA	100,000
WL-6391Q2D3-24V	AMBER	24V-28V	20mA	100,000
WL-6391Q2D5-24V	GREEN	24V-28V	20mA	100,000
WL-6391Q2D6-24V	BLUE	24V-28V	20mA	100,000
WL-6391Q2D4-24V	WHITE	24V-28V	20mA	100,000

NOTES

1. Recommended panel thickness
0.031" to 0.125"
2. .250 x .032 terminals are standard
3. Storage temperature
 T_{STG} : -25°C - +80°C
4. Ambient temperature
 T_A : -20°C - +60°C
5. Voltage tolerance
 V_{OP} : ±10%
6. DC operation only
7. Body material
Polycarbonate, white
8. Lens material
Polycarbonate
9. Bezel material
Stainless steel
10. Terminals
Quick-connect, tinned brass
11. Gaskets
Buna-N
12. Mounting hardware (nut, lock washer, and gasket) included

DIMENSIONAL CHARACTERISTICS



unless otherwise specified, all dimensions are in inches

CERTIFICATIONS

UL (E340667), RoHS



- Splash proof
- Outdoor applications
- NEMA 3-R



OPTIONS

Additional options and lens styles available. Please contact Wamco for more information.