



# DC axial fans

Series 4100 NU 119 x 119 x 38 mm



### Highlights:

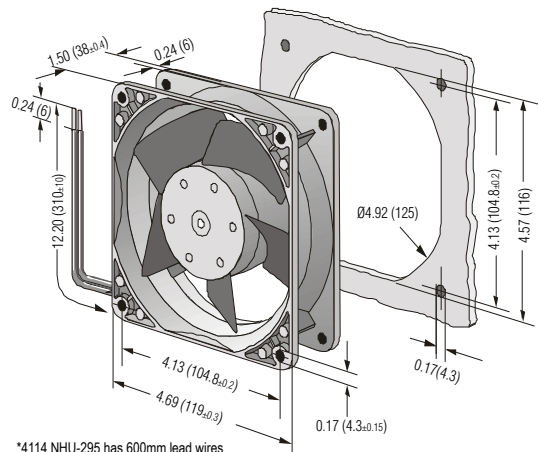
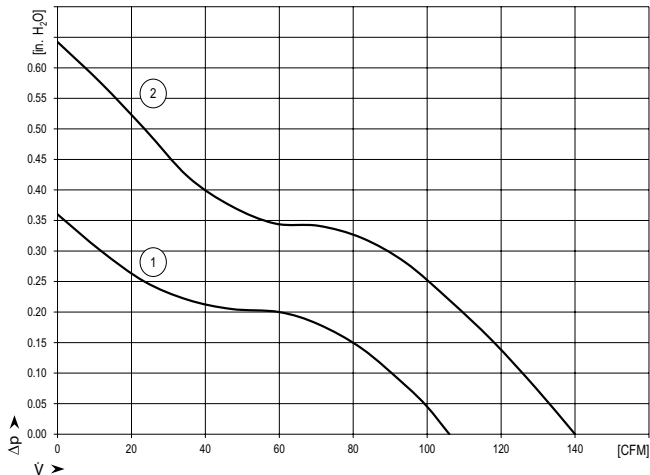
- Motor protection against reverse polarity and locking.
- Air intake over struts
- Connection via 310 mm strands AWG 22, TR 64, bared and tin-plated
- Ingress protection rating of IP68

**Material:** Housing: Die-cast aluminum  
Impeller: Fiberglass-reinforced PA composite

**Direction of rotation:** Clockwise, seen on rotor

Nominal Data		Air flow	Nominal voltage	Voltage range	Sound pressure level	Sound power level	Ball bearings	Power input	Speed	Temperature range	Mass	Ingress Protection Rating	UL Approval	Curves
Type		CFM	VDC	VDC	dB(A)	Bel(A)		Watts	RPM	°C	g			
4114 NU		<b>106.0</b>	24	12...29	48.5	5.7	Yes	5.6	3200	-20...75	400	IP68	Yes	1
4114 NHU-295*		<b>140.0</b>	24	16...30	57.0	6.5	Yes	11.0	4400	-20...55	400	IP68	Yes	2

### Curves



\*4114 NHU-295 has 600mm lead wires