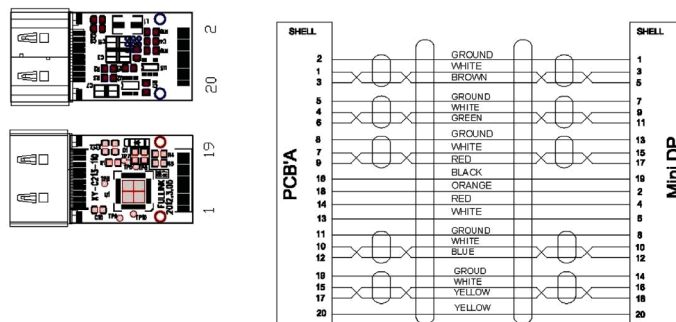
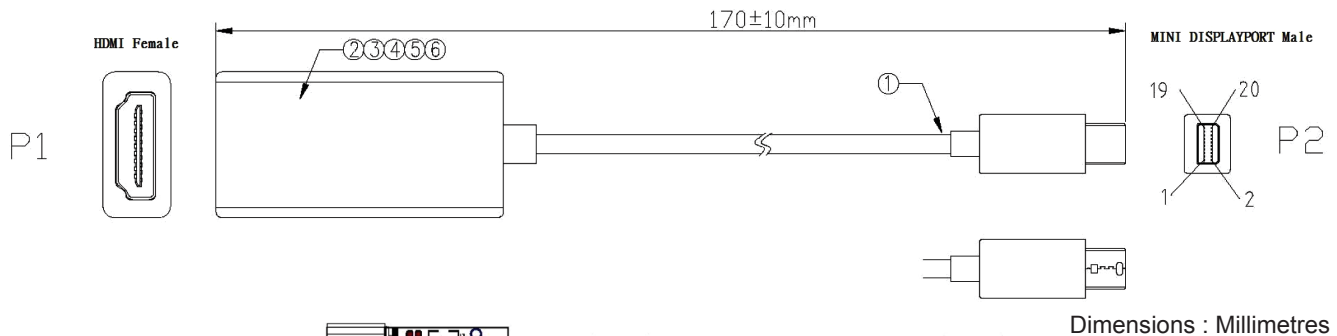


Mini DisplayPort-HDMI Adapter Mini DP Male to HDMI Female



RoHS
Compliant



Dimensions : Millimetres

No.	Material	Description	Unit
1	Cable	Mini DP (Assy) to Mini DP (Assy) Cable (Nickel) (32AWG × 1P + D + AL/MY) × 5C + 32AWG × 5C + MY/AL + Braid (Alum), Jacket PVC Black, OD. = 5.5 ±0.2mm	0.5 Pcs
2	Conn.	DP to HDMI A/F (Black, IC : PS8402) PCB'A, Nickel Connector	1Pcs
3	Outside Case	HDMI (F) Front Outside Case Black	1Pcs
4	Front Case	HDMI (F) Front Cover Black	1Pcs
5	Inner Mold	Low Density PE	1.8g
6	SR	60P Black PVC	0.8g

Testing Requirement

Monitor Resolution : 3,840 × 2,160p

Part Number Table

Description	Part Number
Mini DisplayPort-HDMI Adapter; Mini DP Male to HDMI Female	12.99.3142

Important Notice : This data sheet and its contents (the "Information") belong to the members of the Premier Farnell group of companies (the "Group") or are licensed to it. No licence is granted for the use of it other than for information purposes in connection with the products to which it relates. No licence of any intellectual property rights is granted. The Information is subject to change without notice and replaces all data sheets previously supplied. The Information supplied is believed to be accurate but the Group assumes no responsibility for its accuracy or completeness, any error in or omission from it or for any use made of it. Users of this data sheet should check for themselves the Information and the suitability of the products for their purpose and not make any assumptions based on information included or omitted. Liability for loss or damage resulting from any reliance on the Information or use of it (including liability resulting from negligence or where the Group was aware of the possibility of such loss or damage arising) is excluded. This will not operate to limit or restrict the Group's liability for death or personal injury resulting from its negligence. Multicomp is the registered trademark of the Group. © Premier Farnell plc 2012.

www.element14.com
www.farnell.com
www.newark.com

