

**RES80F01****Rev. 0****CHARACTERISTICS:**

Rated Voltage:	250VAC max
Rated Current at Ambient:	1A @ 40°C
Operating Frequency:	DC-400HZ
Climatic Class (IEC60068-1):	25/100/21
Temperature Range:	-25°C to +100°C
Over load Current:	1.5 x Rated Ct. for 1 Min
Operational Leakage current : (at 230VAC/50Hz and Total C +/-20%)	0.734 mA max

Worst case Leakage current : (N interrupted and Total C +/-20%)	<1.101 mA max
--	---------------

DCR @ 25°C (+/-25%) :	900 mΩ
Test Voltage (100%) for 2 sec:-	
L-N:	1100VDC
L-GND:	3000VDC

Ingress Protection: IP 20

Weight (Approximate): 200 gr

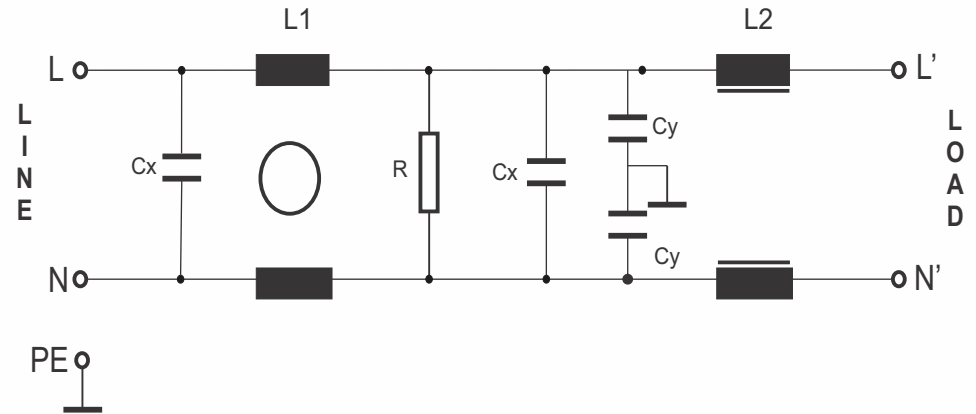
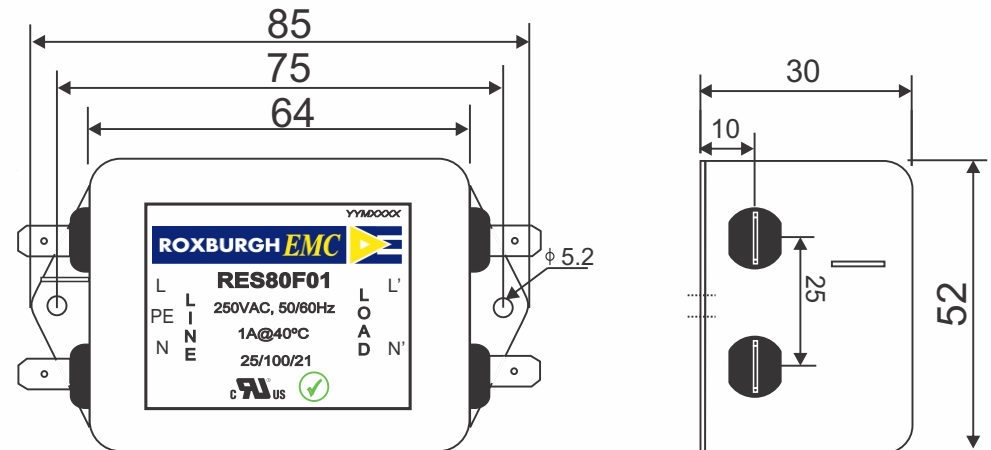
**FILTER PARAMETERS:**

Total Inductance (L-L'+N-N') @10KHz:	22.5mH +50%,-30%
Total Capacitance (L-L/L-N) @1KHz:	0.66μF +/- -20%
Total Capacitance (L/N-GND) @1KHz:	9.4nF +/- -20%
Total Resistance (L-L/L-N):	1MΩ +/- -10%
Total Resistance (L/N-GND):	

**APPROVALS:** REACH  
RoHS  
UL



APPROVED  
BY  
AJAY  
Date:25-04-2014

**CIRCUIT DIAGRAM:****MECHANICAL DIMENSION (mm):****Note:**

Housing matl. Fe with Ni Plated  
Fast-On Terminal ( 6.3 x 0.8mm)  
Connections

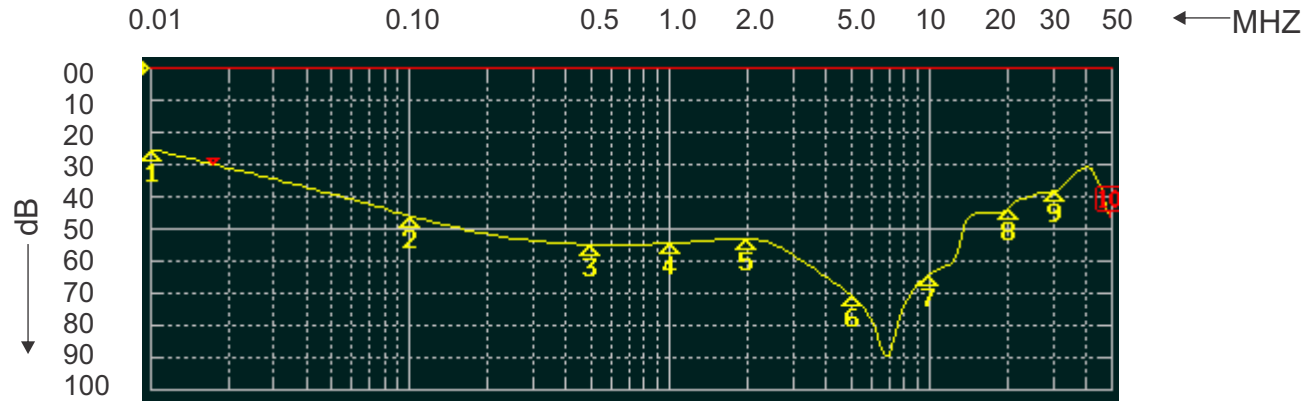
TOLERANCE: +/-1.0 mm



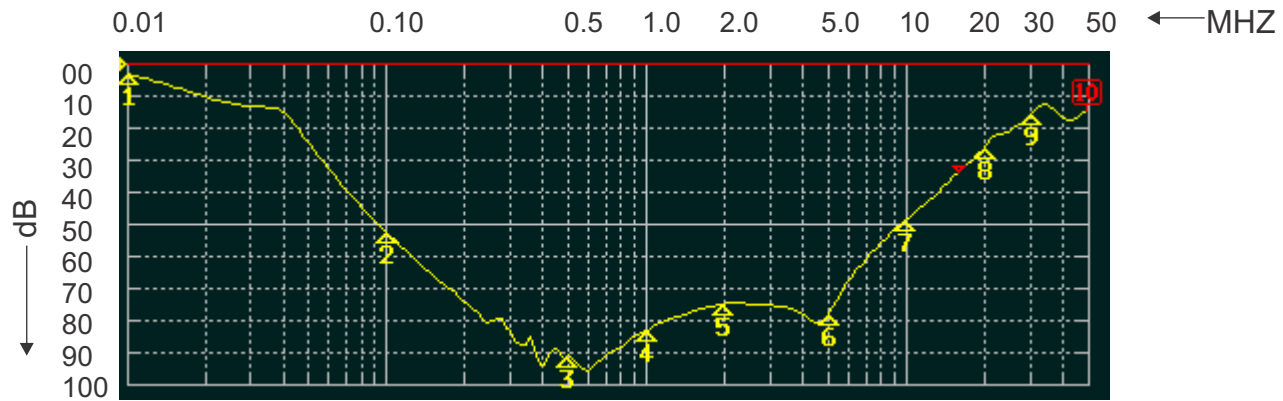
# ROXBURGH EMC

## FILTER INSERTION LOSS CHARACTERISTICS CISPR 17 - 50 OHM METHOD

### RES80F01



COMMON MODE



DIFFERENTIAL MODE

