

# 2000-SCAN-20 Scanner Option

## Specifications

### GENERAL:

**20 Channels:** 20 channels of 2-pole relay input. All channels configurable to 4-pole.

**Relay Type:** Latching electromechanical.

**Actuation Time:** <3.5ms.

**CAPABILITIES:** Multiplex one of twenty 2-pole or one of ten 4-pole signals into DMM.

### INPUTS

#### Maximum Signal Level:

**DC Signals:** 60V DC, 0.5A switched, 30VA maximum (resistive load).

**AC Signals:** 30V AC rms or 42.4V AC peak, 100kHz maximum, 0.5A switched, 15VA maximum (resistive load).

**Contact Life:** >10<sup>5</sup> operations at maximum signal level; >10<sup>8</sup> operations cold switching.

**Contact Resistance:** <1.5Ω at end of contact life.

**Contact Potential:** <±1μV typical per contact, 2μV max. <±1μV typical per contact pair, 2μV max.

**Connector Type:** 44 pin male D-subminiature.

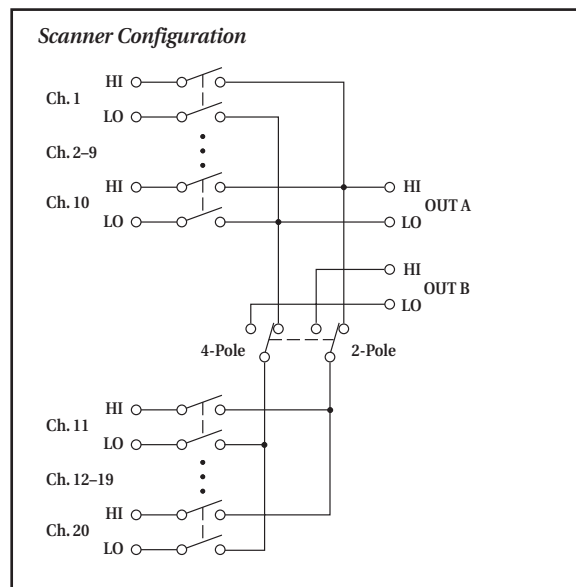
**Isolation Between Any Two Terminals:** >10<sup>8</sup>Ω, <75pF

**Isolation Between Any Terminal and Earth:** >10<sup>8</sup>Ω, <150pF

**Common Mode Voltage:** 42.4VAC peak; 60VDC between any terminal and earth.

**Maximum Voltage Between Any Two Terminals:** 42.4VAC peak, 60VDC.

**Maximum Voltage Between Any Terminal and Model 2000 Input LO:** 42.4VAC peak, 60VDC.



## Internal Scanner Speed

### MAXIMUM INTERNAL SCANNER RATES

RANGE: Channels/s<sup>1</sup>

TRIGGER DELAY = 0

DCV <sup>2</sup>	ACV <sup>2,3</sup>	2 WIRE OHMS <sup>2</sup>	4 WIRE OHMS <sup>2</sup>	TEMPERATURE <sup>2</sup>
All : 100	All : 90	All : 95	<10MΩ : 31	All : 60

TRIGGER DELAY = AUTO

DCV <sup>2</sup>	ACV <sup>2,3</sup>	2 WIRE OHMS <sup>2</sup>	4 WIRE OHMS <sup>2</sup>	TEMPERATURE <sup>2</sup>
0.1 V : 95	All : 1.8	100 Ω : 81	100 Ω : 28	All : 60
1 V : 100		1 kΩ : 81	1 kΩ : 28	
10 V : 101		10 kΩ : 42	10 kΩ : 21	
100 V : 70		100 kΩ : 28	100 kΩ : 17	
1000 V : 70		1 MΩ : 8	1 MΩ : 7	
		10 MΩ : 5	10 MΩ : 5	
		100 MΩ : 3	100 MΩ : 3	

## Internal Scanner Speed Notes

- Speeds are for 60Hz operation using factory default operating conditions (\*RST). Auto Zero off, Auto Range off, Display off, sample count = 1024.
- NPLC = 0.01.
- DETECTOR: BANDwidth 300.

### ENVIRONMENTAL:

**Operating Environment:** Specified for 0°C to 50°C. Specified to 80% R.H. at 35°C.

**Storage Environment:** -40°C to 70°C.

**DIMENSIONS, WEIGHT:** 21mm high × 72mm wide × 221mm deep (0.83 in. × 2.83 in. × 8.7 in.). Adds 0.3kg (7 oz.).

Specifications are subject to change without notice.