


## 111 Series Thru-Hole and Surface Mount Holders for 2AG or 5mm Diameter Fuses



### Product Characteristics

	111 501	111 506	111 505
<b>Compatible Fuse Size</b>	4.5mm~5mm Diameter Fuses		
<b>Current Level</b>	10 Amps max	10 Amps max	10 Amps max
<b>Mounting</b>	PC	PC	Surface Mount

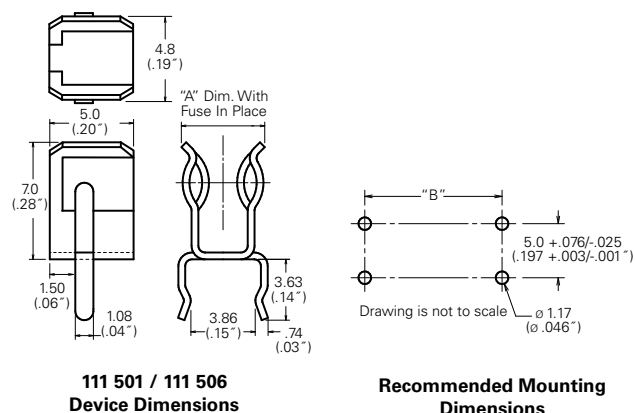
### Agency Approval

Agency	Agency File Number		
	<b>111 501</b>	<b>111 506</b>	<b>111 505</b>
	E14721	NA	NA

### Product Dimensions

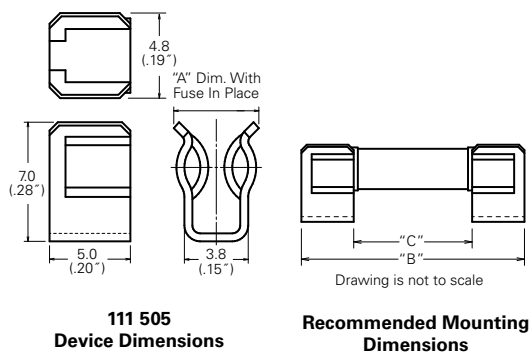
#### Mounting Dimensions for 111 501 / 111 506

Table 1	A Dim.	B Dim.
2AG	.23	.50
5x20	.27	.74



#### Mounting Dimensions for 111 505

Table 1	A Dim.	B Dim.	C Dim.
2AG	.23	.65 max.	.22 min.
5x20	.27	.88 max.	.43 min.



Note: Metric dimensions are shown. Inch dimensions are in parentheses.

### Ordering Information

Ordering PN*	Catalog No.	Clip Material	Plating	Style	Packaging Available
0111 0501	111 501	Spring Brass	Tin-plated	Ear	H or N or Z
0111 0506	111 506	Beryllium Copper	Tin-plated	Ear	H or N or Z
0111 0505	111 505	Beryllium Copper	Tin-plated	Ear	N or Z

#### Add Suffix to the Ordering PN for Packaging

"H" = std. package 100 pcs per pack  
 "N" = std. package 5000 pcs per pack  
 "Z" = for bulk package

### Additional Information



Datasheet



Resources



Samples