

# Dual 14-Bit 65-MSPS Digital-to-Analog Converter With Integrated Analog Quadrature Modulator

Check for Samples: [AFE7070](#)

## FEATURES

- **Maximum Sample Rate: 65 MSPS**
- **Low Power:**
  - 325 mW LVDS Output Mode
  - 334 mW Analog Output Mode
- **Interleaved CMOS Input, 1.8–3.3 V IOVDD**
- **Input FIFO for Independent Data and DAC Clocks**
- **3- or 4-pin SPI Interface for Register Programming**
- **Complex NCO (DDS): 32-Bit Frequency, 16-Bit Phase**
- **Quadrature Modulator Correction: Gain, Phase, Offset for Sideband and LO Suppression**
- **Analog Baseband Filter With Programmable Bandwidth: 20-MHz Maximum RF Bandwidth**
- **RF Output: Analog (linear) or LVDS (Clock)**
- **RF Frequency Range: 100 MHz to 2.7 GHz**
- **Package: 48-Pin QFN (7-mm × 7-mm)**

## APPLICATIONS

- **Low-Power, Compact Software-Defined Radios**
- **Femto- and Pico-Cell BTS**
- **Clock Frequency Translation**

## DESCRIPTION

The AFE7070 is a dual 14-bit 65-MSPS digital-to-analog converter (DAC) with integrated, programmable fourth-order baseband filter and analog quadrature modulator. The AFE7070 includes additional digital signal-processing features such as a numerically controlled oscillator for frequency generation/translation, and a quadrature modulator correction circuit, providing LO and sideband suppression capability. The AFE7070 has an interleaved 14-bit 1.8-V to 3.3-V CMOS input. The AFE7070 provides 20 MHz of RF signal bandwidth with an RF output frequency range of 100 MHz to 2.7 GHz. An optional LVDS output can be used to convert the quadrature modulator output to a clock signal up to 800 MHz. Total power consumption is less than 350 mW with the LVDS output and 334 mW with the analog RF output.

The AFE7070 package is a 7-mm × 7mm 48-pin QFN package. The AFE7070 is specified over the full industrial temperature range (–40°C to 85°C).

## AVAILABLE OPTIONS

T <sub>A</sub>	ORDER CODE	PACKAGE DRAWING/TYPE	TRANSPORT MEDIA	QUANTITY
–40°C to 85°C	AFE7070IRGZ25	RGZ / 48QFN quad flatpack no-lead	Tape and reel	25
	AFE7070IRGZT			250
	AFE7070IRGZR			2500

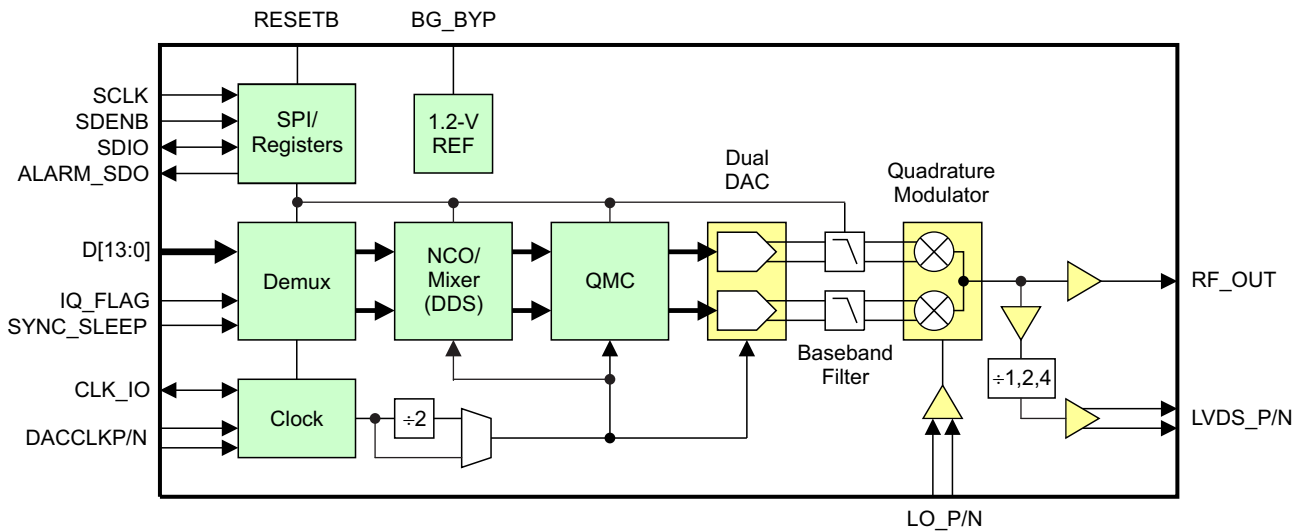


Please be aware that an important notice concerning availability, standard warranty, and use in critical applications of Texas Instruments semiconductor products and disclaimers thereto appears at the end of this data sheet.

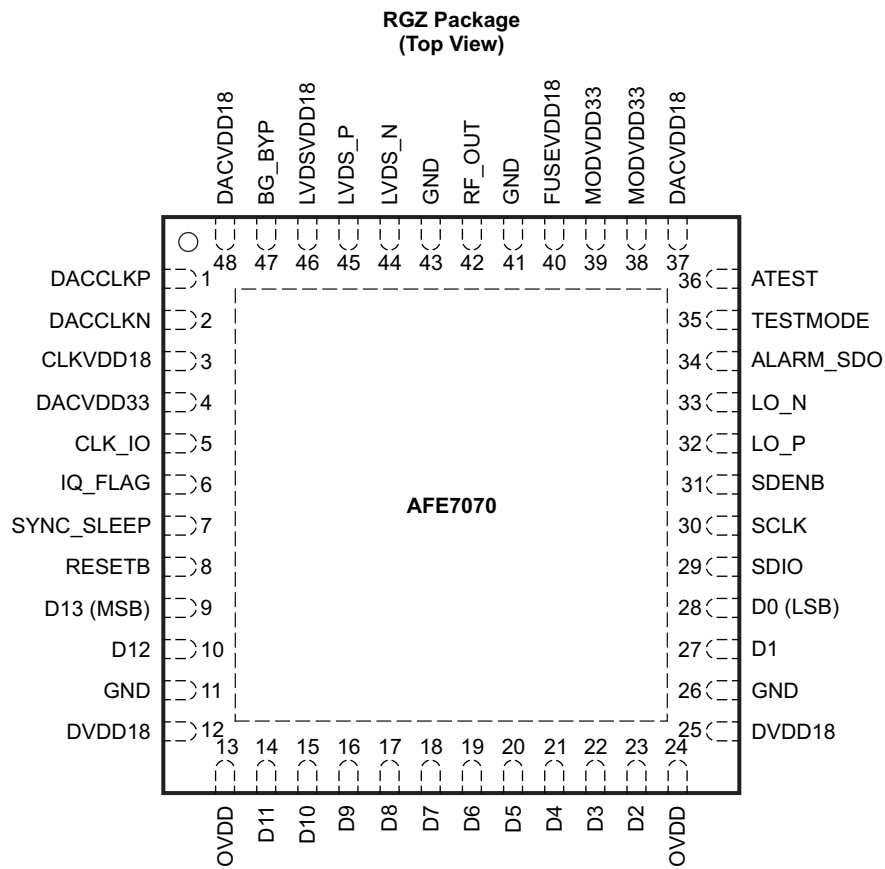


These devices have limited built-in ESD protection. The leads should be shorted together or the device placed in conductive foam during storage or handling to prevent electrostatic damage to the MOS gates.

### BLOCK DIAGRAM



### PIN CONFIGURATION



P0023-25

**PIN FUNCTIONS**

PIN		I/O	DESCRIPTION
NAME	NO.		
<b>MISC/SERIAL</b>			
ALARM_SDO	34	O	CMOS output for ALARM condition, active-low. The ALARM output functionality is defined through the CONFIG7 registers. Optionally, it can be used as the unidirectional data output in 4-pin serial interface mode (CONFIG3 sif_4pin = 1). 1.8-V to 3.3-V CMOS, set by IOVDD.
RESETB	8	I	Resets the chip when low. 1.8-V to 3.3-V CMOS, set by IOVDD. Internal pullup
SCLK	30	I	Serial interface clock. 1.8-V to 3.3-V CMOS, set by IOVDD. Internal pulldown
SDENB	31	I	Active-low serial data enable, always an input. 1.8-V to 3.3-V CMOS, set by IOVDD. Internal pullup
SDIO	29	I/O	Bidirectional serial data in 3-pin mode (default). In 4-pin interface mode (CONFIG3 sif_4pin), the SDIO pin is an input only. 1.8-V to 3.3-V CMOS, set by IOVDD. Internal pulldown
<b>DATA/CLOCK INTERFACE</b>			
CLK_IO	5	I/O	Single-ended input or output CMOS level clock for latching input data. 1.8-V to 3.3-V CMOS, set by IOVDD.
D[13:0]	9, 10, 14–23, 27, 28	I	Data bits 0 through 13. D13 is the MSB, D0 is the LSB. For complex data, channel I and channel Q are multiplexed. For NCO phase data, either 14 bits are transferred at the internal sample clock rate, or 8 MSBs and 8 LSBs are interleaved on D[13:6]. 1.8-V to 3.3-V CMOS, set by IOVDD. Internal pulldown
DACCLKP, DACCLKN	1, 2	I	Differential input clock for DACs.
IQ_FLAG	6	I	When register CONFIG1 iqswap is 0, IQ-FLAG high identifies the DACA sample in dual-input or dual-output clock modes. 1.8-V or 3.3-V CMOS, set by IOVDD. Internal pulldown
SYNC_SLEEP	7	I	Multi-function. Sync signal for signal processing blocks, TX ENABLE or SLEEP function. Selectable via SPI. 1.8-V to 3.3-V CMOS, set by IOVDD.
<b>RF</b>			
LO_P, LO_N	32, 33	I	Local oscillator input. Can be used differentially or single-ended by terminating the unused input through a capacitor and 50-Ω resistor to GND.
LVDS_P, LVDS_N	45, 44	O	Differential LVDS output
RF_OUT	42	O	Analog RF output
<b>REFERENCE</b>			
ATEST	36	O	Factory use only. Do not connect.
BG_BYP	47	I	Reference voltage decoupling – connect 0.1 μF to GND.
TESTMODE	35	I	Factory use only. Connect to GND.
<b>POWER</b>			
IOVDD	13, 24	I	1.8-V to 3.3-V supply for CMOS I/Os
CLKVDD18	3	I	1.8 V
DVDD18	12, 25	I	1.8 V
LVDSVDD18	46	I	1.8 V
DACVDD18	37, 48	I	1.8 V
DACVDD33	4	I	3.3 V
MODVDD33	38, 39	I	3.3 V
FUSEVDD18	40	I	Connect to 1.8 V to 3.3 V supply (1.8 V is preferred to lower power dissipation).
GND	11, 26, 41, 43	I	Ground

## ABSOLUTE MAXIMUM RATINGS

over operating free-air temperature range (unless otherwise noted)<sup>(1)</sup>

		VALUE
Supply voltage range	DACVDD33, MODVDD33, FUSEVDD18, IOVDD <sup>(2)</sup>	–0.5 V to 4 V
	DVDD18, CLKVDD18, DACVDD18 <sup>(2)</sup>	–0.5 V to 2.3 V
Supply voltage range <sup>(2)</sup>		–0.5 V to 4 V
	D[13..0], IQ_FLAG, SYNC_SLEEP, SCLK, SDENB, SDIO, ALARM_SDO, RESETB, CLK_IO, TESTMODE	–0.5 V to IOVDD + 0.5 V
	DACCLKP, DACCLKN	–0.5 V to CLKVDD18 + 0.5 V
	LVDS_P, LVDS_N	–0.5 V to LVDSVDD18 + 0.5 V
	BG_BYP, ATEST	–0.5 V to DACVDD33 + 0.5 V
	RFOUT, LO_P, LO_N	–0.5 V to MODVDD33 + 0.5 V
Operating free-air temperature range, T <sub>A</sub>		–40°C to 85°C
Storage temperature range		–65°C to 150°C

(1) Stresses beyond those listed under *Absolute Maximum Ratings* may cause permanent damage to the device. These are stress ratings only, and functional operation of these or any other conditions beyond those indicated under *Recommended Operating Conditions* is not implied. Exposure to absolute-maximum-rated conditions for extended periods may affect device reliability.

(2) Measured with respect to GND

## DC ELECTRICAL CHARACTERISTICS

Typical values at T<sub>A</sub> = 25°C, full temperature range is T<sub>MIN</sub> = –40°C to T<sub>MAX</sub> = 85°C, DAC sampling rate = 65 MSPS, DVDD18 = 1.8 V, CLKVDD18 = 1.8 V, DACVDD18 = 1.8 V, IOVDD = 3.3 V, DACVDD33 = 3.3 V, MODVDD33 = 3.3 V, analog output (unless otherwise noted)

PARAMETER	TEST CONDITIONS	MIN	TYP	MAX	UNIT		
<b>DC SPECIFICATIONS</b>							
DAC resolution		14			Bits		
<b>REFERENCE OUTPUT</b>							
Reference voltage		1.14	1.2	1.26	V		
<b>POWER SUPPLY</b>							
IOVDD	I/O supply voltage	1.71		3.6	V		
DVDD18	Digital supply voltage	1.71	1.8	1.89	V		
CLKVDD18	Clock supply voltage	1.71	1.8	1.89	V		
DACVDD18	DAC 1.8-V analog supply voltage	1.71	1.8	1.89	V		
LVDSVDD18	LVDS analog supply voltage	1.71	1.8	1.89	V		
FUSEVDD18	FUSE analog supply voltage	Connect to 1.8-V supply for lower power		1.71	1.8	3.6	V
DACVDD33	DAC 3.3-V analog supply voltage	3.15	3.3	3.45	V		
MODVDD33	Modulator analog supply voltage	3.15	3.3	3.45	V		
I <sub>IOVDD</sub>	I/O supply current				mA		
I <sub>DVDD18</sub>	Digital supply current		18		mA		
I <sub>CLKVDD18</sub>	Clock supply current				mA		
I <sub>DACVDD18</sub>	DAC 1.8-V supply current				mA		
I <sub>LVDSVDD18</sub>	LVDS output supply current				mA		
I <sub>FUSEVDD18</sub>	FUSE supply current		21		mA		
I <sub>DACVDD33</sub>	DAC 3.3-V supply current				mA		
I <sub>MODVDD33</sub>	Modulator supply current		68		mA		
Power dissipation	LVDS output: NCO, QMC active, f <sub>DAC</sub> = 40 MHz, IOVDD = 2.5 V		337	380	mW		
	Analog output: NCO off, QMC active, f <sub>DAC</sub> = 65 MHz, IOVDD = 2.5 V		335	380	mW		
	Sleep mode with clock, internal reference on, IOVDD = 2.5 V		80		mW		
	Sleep mode without clock, internal reference off, IOVDD = 2.5 V		5	25	mW		
<b>POWER SUPPLY vs MODE</b>							
	3.3-V supplies (DACVDD33, MODVDD33, IOVDD)			72	mA		
	1.8-V supplies (DVDD18, CLKVDD18, DACVDD18, FUSEVDD18, LVDSVDD18)	NCO = 1 MHz, LVDS on, RF out off, no input data, 65 MSPS		47	mA		
	Power dissipation			322	mW		

**DC ELECTRICAL CHARACTERISTICS (continued)**

Typical values at  $T_A = 25^\circ\text{C}$ , full temperature range is  $T_{\text{MIN}} = -40^\circ\text{C}$  to  $T_{\text{MAX}} = 85^\circ\text{C}$ , DAC sampling rate = 65 MSPS, DVDD18 = 1.8 V, CLKVDD18 = 1.8 V, DACVDD18 = 1.8 V, IOVDD = 3.3 V, DACVDD33 = 3.3 V, MODVDD33 = 3.3 V, analog output (unless otherwise noted)

PARAMETER		TEST CONDITIONS	MIN	TYP	MAX	UNIT
	3.3-V supplies (DACVDD33, MODVDD33, IOVDD)	NCO = 1 MHz, LVDS on, RF out off, no input data, 40 MSPS		71		mA
	1.8-V supplies (DVDD18, CLKVDD18, DACVDD18, FUSEVDD18, LVDSVDD18)			32		mA
	Power dissipation			337		mW
	3.3-V supplies (DACVDD33, MODVDD33, IOVDD)	1 MHz full-scale input, RF out on, LVDS output off, NCO off, QMC on, 65 MSPS		102		mA
	1.8-V supplies (DVDD18, CLKVDD18, DACVDD18, FUSEVD18, LVDSVDD18)			36		mA
	Power dissipation			334		mW
	3.3-V supplies (DACVDD33, MODVDD33, IOVDD)	1 MHz full-scale input, RF out on, LVDS output off, NCO off, QMC off, 32.5 MSPS		101		mA
	1.8-V supplies (DVDD18, CLKVDD18, DACVDD18, FUSEVD18, LVDSVDD18)			22		mA
	Power dissipation			325		mW

## ELECTRICAL CHARACTERISTICS

Typical values at  $T_A = 25^\circ\text{C}$ , full temperature range is  $T_{\text{MIN}} = -40^\circ\text{C}$  to  $T_{\text{MAX}} = 85^\circ\text{C}$ , DAC sampling rate = 65 MSPS, DVDD18 = 1.8 V, CLKVDD18 = 1.8 V, DACVDD18 = 1.8 V, FUSEVDD18 = 1.8 V, IOVDD = 3.3 V, DACVDD33 = 3.3 V, MODVDD33 = 3.3 V, analog output (unless otherwise noted)

PARAMETER	TEST CONDITIONS	MIN	TYP	MAX	UNIT
<b>DIGITAL INPUTS (D[13:0], IQ_FLAG, SDI, SCLK, SDENB, RESETB, SYNC_SLEEP, ALARM_SDO, CLK_IO)</b>					
$V_{\text{IH}}$	High-level input voltage	IOVDD = 3.3 V	2.3		V
		IOVDD = 2.5 V	1.75		
		IOVDD = 1.8 V	1.25		
$V_{\text{IL}}$	Low-level input voltage	IOVDD = 3.3 V		1	V
		IOVDD = 2.5 V		0.75	
		IOVDD = 1.8 V		0.54	
$I_{\text{IH}}$	High-level input current	IOVDD = 3.3 V	-80	80	$\mu\text{A}$
$I_{\text{IL}}$	Low-level input current	IOVDD = 3.3 V	-80	80	$\mu\text{A}$
$C_{\text{i}}$	Input capacitance		5		pF
$f_{\text{DAC}}$	DAC sample rate	Interleaved data, $f_{\text{DAC}} = 1/2 \times f_{\text{INPUT}}$	0	65	MSPS
$f_{\text{INPUT}}$	Input data rate	Interleaved data, $f_{\text{INPUT}} = 2 \times f_{\text{DAC}}$	0	130	MSPS
<b>DIGITAL OUTPUTS (ALARM_SDO, SDIO, CLK_IO)</b>					
$V_{\text{OH}}$	High-level output voltage	$I_{\text{LOAD}} = -100 \mu\text{A}$	IOVDD - 0.2		V
		$I_{\text{LOAD}} = -2 \text{ mA}$	$0.8 \times \text{IOVDD}$		V
$V_{\text{OL}}$	Low-level output voltage	$I_{\text{LOAD}} = 100 \mu\text{A}$		0.2	V
		$I_{\text{LOAD}} = 2 \text{ mA}$		$0.22 \times \text{IOVDD}$	V
<b>CLOCK INPUT (DACCLKP/DACCLKN)</b>					
	DACCLKP/N duty cycle		40%	60%	
	DACCLKP/N differential voltage		0.4	1	V
<b>Timing Parallel Data Input (D[13:0], IQ_FLAG, SYNC_SLEEP) – Dual Input Clock Mode</b>					
$t_{\text{SU}}$	Input setup time	Relative to CLK_IO rising edge		1	ns
$t_{\text{H}}$	Input hold time	Relative to CLK_IO rising edge		1	ns
$t_{\text{LPH}}$	Input clock pulse high time			3	ns
<b>Timing Parallel Data Input (D[13:0], IQ_FLAG, SYNC_SLEEP) – Dual Output Clock Mode</b>					
$t_{\text{SU}}$	Input setup time	Relative to CLK_IO rising edge	1	0.2	ns
$t_{\text{H}}$	Input hold time	Relative to CLK_IO rising edge	1	0.2	ns
<b>Timing Parallel Data Input (D[13:0], IQ_FLAG, SYNC_SLEEP) – Single Differential DDR and SDR Clock Modes</b>					
$t_{\text{SU}}$	Input setup time	Relative to DACCLKP/N rising edge	0	-0.8	ns
$t_{\text{H}}$	Input hold time	Relative to DACCLKP/N rising edge	2	1	ns
<b>Timing – Serial Data Interface</b>					
$t_{\text{S}}(\text{SDENB})$	Setup time, SDENB to rising edge of SCLK			20	ns
$t_{\text{S}}(\text{SDIO})$	Setup time, SDIO valid to rising edge of SCLK			10	ns
$t_{\text{H}}(\text{SDIO})$	Hold time, SDIO valid to rising edge of SCLK			5	ns
$t_{\text{SCLK}}$	Period of SCLK			100	ns
$t_{\text{SCLKH}}$	High time of SCLK			40	ns
$t_{\text{SCLKL}}$	Low time of SCLK			40	ns
$t_{\text{D}}(\text{DATA})$	Data output delay after falling edge of SCLK			10	ns
$t_{\text{RESET}}$	Minimum RESETB pulse duration			25	ns

## AC ELECTRICAL CHARACTERISTICS

Typical values at  $T_A = 25^\circ\text{C}$ , full temperature range is  $T_{\text{MIN}} = -40^\circ\text{C}$  to  $T_{\text{MAX}} = 85^\circ\text{C}$ , DAC sampling rate = 65 MSPS, DVDD18 = 1.8 V, CLKVDD18 = 1.8 V, DACVDD18 = 1.8 V, FUSEVDD18 = 1.8 V, IOVDD = 3.3 V, DACVDD33 = 3.3 V, MODVDD33 = 3.3 V, analog output (unless otherwise noted)

PARAMETER	TEST CONDITIONS	MIN	TYP	MAX	UNIT
<b>LO INPUT</b>					
$f_{\text{LO}}$	LO frequency range		0.1	2.7	GHz
$P_{\text{LO\_IN}}$	LO input power		-5	5	dBm
	LO port return loss		15		
<b>LVDS OUTPUT</b>					
$f_{\text{LVDS\_OUT}}$	LVDS output frequency		100	800	MHz
<b>INTEGRATED BASEBAND FILTER</b>					
Baseband attenuation at setting Filtertune = 8 relative to low-frequency signal	2.5 MHz		1		dB
	5 MHz		18		
	10 MHz		42		
	20 MHz		65		
Baseband attenuation at setting Filtertune = 0 relative to low-frequency signal	10 MHz		1		dB
	20 MHz		18		
	40 MHz		42		
	55 MHz		58		
Baseband filter phase linearity	RMS phase deviation from linear phase across minimum or maximum cutoff frequency		2		Degrees
Baseband filter amplitude ripple	Frequency < 0.9 x nominal cutoff frequency		0.5		dB
<b>RF Output Parameters – <math>f_{\text{LO}} = 100</math> MHz, Analog Output</b>					
$P_{\text{OUT\_FS}}$	Full-scale RF output power	Full-scale 50-kHz digital sine wave		-1	dBm
IP2	Output IP2	Maximum LPF BW setting, $f_{\text{BB}} = 4.5, 5.5$ MHz		63	dBm
IP3	Output IP3	Maximum LPF BW setting, $f_{\text{BB}} = 4.5, 5.5$ MHz		18	dBm
	Carrier feedthrough	Unadjusted, $f_{\text{BB}} = 50$ kHz, full scale		45	dBc
	Sideband suppression	Unadjusted, $f_{\text{BB}} = 50$ kHz, full scale		27	dBc
	Output noise floor	$\geq 30$ MHz offset, $f_{\text{BB}} = 50$ kHz, full scale		137	dBc/Hz
	Output return loss			8.5	dB
<b>RF Output Parameters – <math>f_{\text{LO}} = 450</math> MHz, Analog Output</b>					
$P_{\text{OUT\_FS}}$	Full-scale RF output power	Full-scale 50-kHz digital sine wave		0.2	dBm
IP2	Output IP2	Max LPF BW setting, $f_{\text{BB}} = 4.5, 5.5$ MHz		67	dBm
IP3	Output IP3	Max LPF BW setting, $f_{\text{BB}} = 4.5, 5.5$ MHz		19	dBm
	Carrier feedthrough	Unadjusted, $f_{\text{BB}} = 50$ kHz, full scale		45	dBc
	Sideband Suppression	Unadjusted, $f_{\text{BB}} = 50$ kHz, full scale		38	dBc
	Output noise floor	$\geq 30$ MHz offset, $f_{\text{BB}} = 50$ kHz, full scale		143	dBc/Hz
	Output return loss			8.5	dB
<b>RF Output Parameters – <math>f_{\text{LO}} = 850</math> MHz, Analog Output</b>					
$P_{\text{OUT\_FS}}$	Full-scale RF output power	Full-scale 50-kHz digital sine wave		0.3	dBm
IP2	Output IP2	Max LPF BW setting, $f_{\text{BB}} = 4.5, 5.5$ MHz		64	dBm
IP3	Output IP3	Max LPF BW setting, $f_{\text{BB}} = 4.5, 5.5$ MHz		19	dBm
	Carrier feedthrough	Unadjusted, $f_{\text{BB}} = 50$ kHz, full scale		41	dBc
	Sideband suppression	Unadjusted, $f_{\text{BB}} = 50$ kHz, full scale		37	dBc
	Output noise floor	$\geq 30$ MHz offset, $f_{\text{BB}} = 50$ kHz, full scale		143	dBc/Hz
	Output return loss			8.5	dB
ACPR	Adjacent-channel power ratio	1 WCDMA TM1 signal, PAR = 10 dB, $P_{\text{OUT}} = -10$ dBFS		65	dBc
		10-MHz LTE, PAR = 10 dB, $P_{\text{OUT}} = -10$ dBFS		61	dBc

## AC ELECTRICAL CHARACTERISTICS (continued)

Typical values at  $T_A = 25^\circ\text{C}$ , full temperature range is  $T_{\text{MIN}} = -40^\circ\text{C}$  to  $T_{\text{MAX}} = 85^\circ\text{C}$ , DAC sampling rate = 65 MSPS, DVDD18 = 1.8 V, CLKVDD18 = 1.8 V, DACVDD18 = 1.8 V, FUSEVDD18 = 1.8 V, IOVDD = 3.3 V, DACVDD33 = 3.3 V, MODVDD33 = 3.3 V, analog output (unless otherwise noted)

PARAMETER		TEST CONDITIONS	MIN	TYP	MAX	UNIT
ALT1	Alternate-channel power ratio	1 WCDMA TM1 signal, PAR = 10 dB, $P_{\text{OUT}} = -10$ dBFS		66		dBc
<b>RF Output Parameters – <math>f_{\text{LO}} = 2.1</math> GHz, Analog Output</b>						
$P_{\text{OUT\_FS}}$	Fullscale RF output power			-1.5		dBm
IP2	Output IP2			50		dBm
IP3	Output IP3			19		dBm
	Carrier feedthrough			38		dBc
	Sideband suppression			42		dBc
	Output noise floor	$\geq 30$ MHz offset, $f_{\text{BB}} = 50$ kHz, full scale		141		dBc/Hz
	Output return loss			8.5		dB
ACPR	Adjacent-channel power ratio	1 WCDMA TM1 signal, PAR = 10 dB, $P_{\text{OUT}} = -10$ dBFS		65		dBc
		20 MHz LTE, PAR = 10 dB, $P_{\text{OUT}} = -10$ dBFS		61		dBc
ALT1	Alternate-channel power ratio	1 WCDMA TM1 signal, PAR = 10 dB, $P_{\text{OUT}} = -10$ dBFS		65		dBc
<b>RF Output Parameters – <math>f_{\text{LO}} = 2.7</math> GHz, Analog Output</b>						
$P_{\text{OUT\_FS}}$	Full-scale RF output power			-3.6		dBm
IP2	Output IP2			48		dBm
IP3	Output IP3			17		dBm
	Carrier feedthrough			36		dBc
	Sideband suppression			35		dBc
	Output noise floor	$\geq 30$ MHz offset, $f_{\text{BB}} = 50$ kHz, full scale		139		dBc/Hz
	Output return loss			8.5		dB
<b>RF Output Parameters – <math>f_{\text{LO}} = 622</math> MHz, LVDS Output, <math>\pm 4</math></b>						
$V_{\text{OD}}$	Differential output voltage	Assumes a 100- $\Omega$ differential load	247	350	454	mV
$V_{\text{OC}}$	Common-mode output voltage		1.125	1.25	1.375	V
	Output noise floor	$\geq 13$ MHz offset, $f_{\text{BB}} = 1$ MHz				
	Carrier feedthrough	Unadjusted, $f_{\text{BB}} = 50$ kHz, full scale		40		dBc
	Sideband suppression	Unadjusted, $f_{\text{BB}} = 50$ kHz, full scale		40		dBc



**TYPICAL PERFORMANCE PLOTS**

$T_A = 25^\circ\text{C}$ , DAC sampling rate = 65 MSPS, single-tone IF = 1.1 MHz, two-tone IF = 1 MHz and 2 MHz, DVDD18 = 1.8 V, CLKVDD18 = 1.8 V, DACVDD18 = 1.8 V, FUSEVDD18 = 1.8 V, IOVDD = 3.3 V, DACVDD33 = 3.3 V, MODVDD33 = 3.3 V, analog output, unless otherwise noted

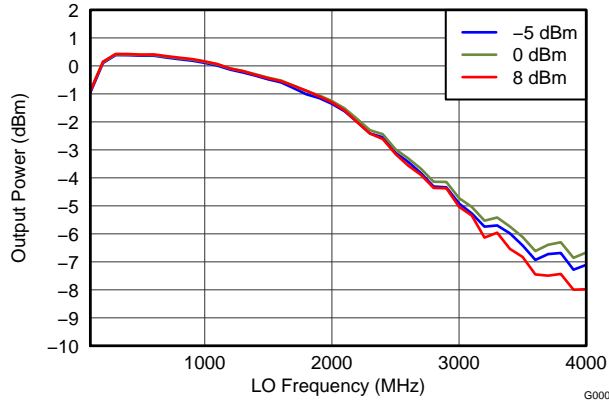


Figure 1. Output Power vs LO Frequency and LO Power

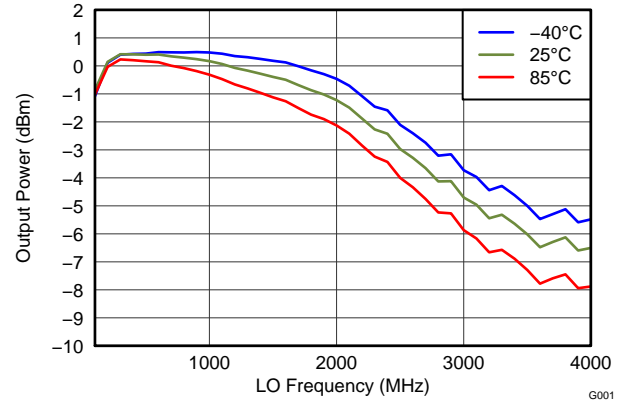


Figure 2. Output Power vs LO Frequency and Temperature

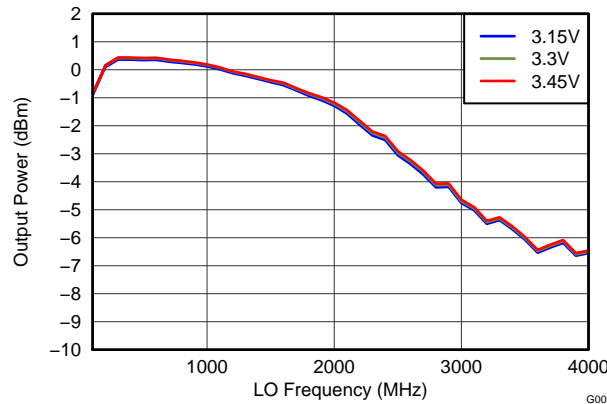


Figure 3. Output Power vs LO Frequency and Supply Voltage

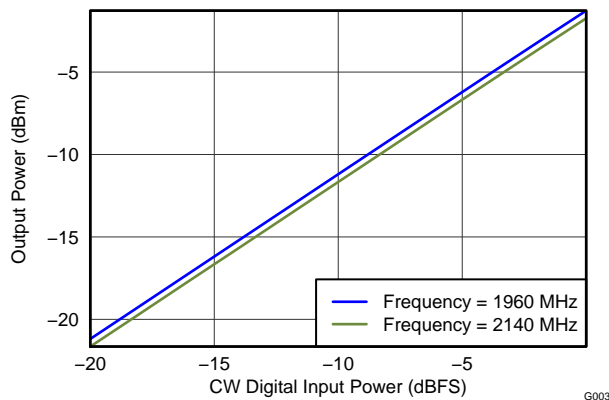


Figure 4. Output Power vs Input Power and LO Frequency

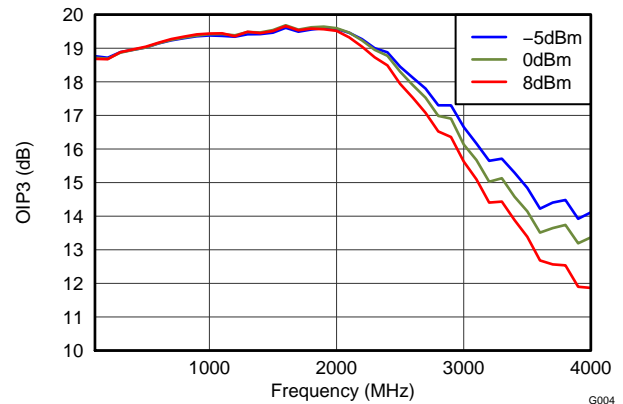
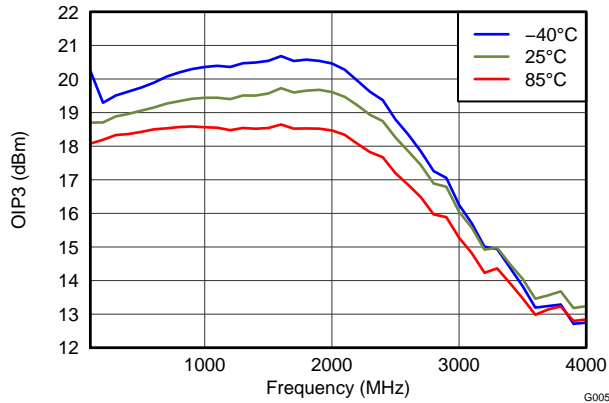


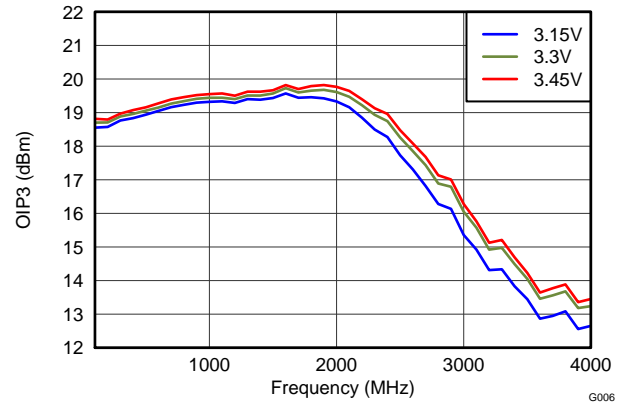
Figure 5. OIP3 vs LO Frequency and LO Power

**TYPICAL PERFORMANCE PLOTS (continued)**

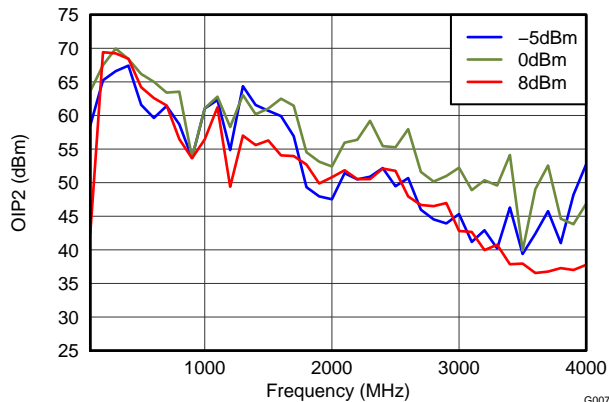
$T_A = 25^\circ\text{C}$ , DAC sampling rate = 65 MSPS, single-tone IF = 1.1 MHz, two-tone IF = 1 MHz and 2 MHz, DVDD18 = 1.8 V, CLKVDD18 = 1.8 V, DACVDD18 = 1.8 V, FUSEVDD18 = 1.8 V, IOVDD = 3.3 V, DACVDD33 = 3.3 V, MODVDD33 = 3.3 V, analog output, unless otherwise noted



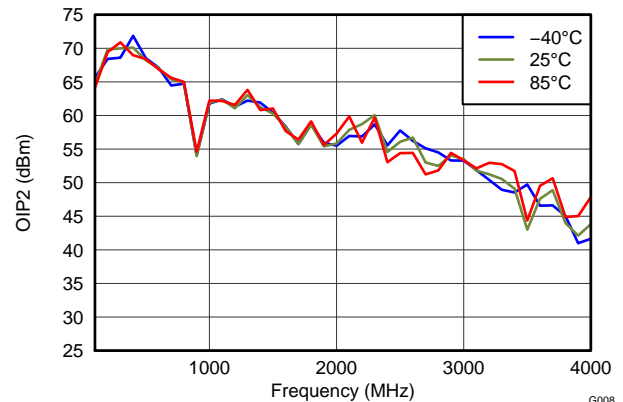
**Figure 6. OIP3 vs LO Frequency and Temperature**



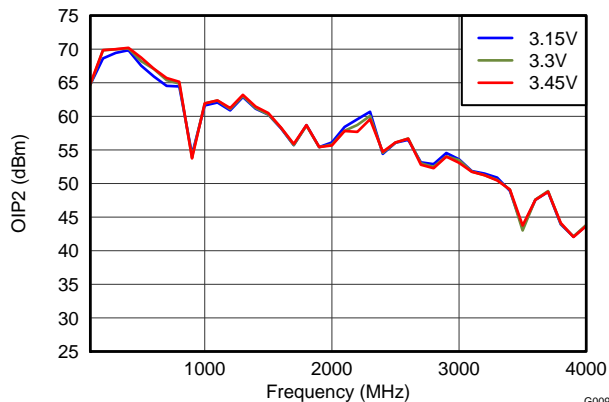
**Figure 7. OIP3 vs LO Frequency and Supply Voltage**



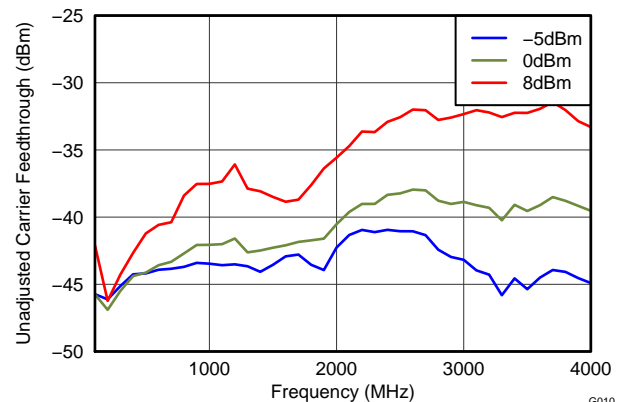
**Figure 8. OIP2 vs LO Frequency and LO Power**



**Figure 9. OIP2 vs LO Frequency and Temperature**



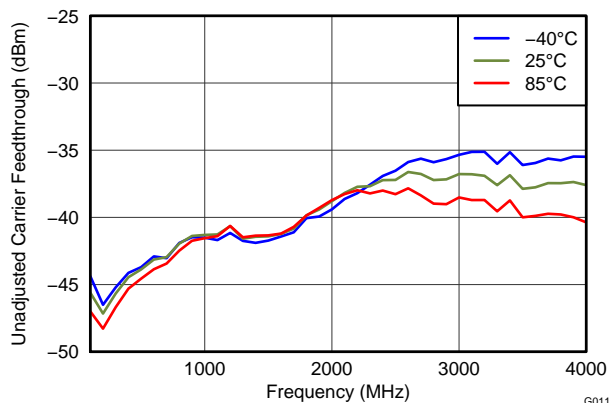
**Figure 10. OIP2 vs LO Frequency and Supply Voltage**



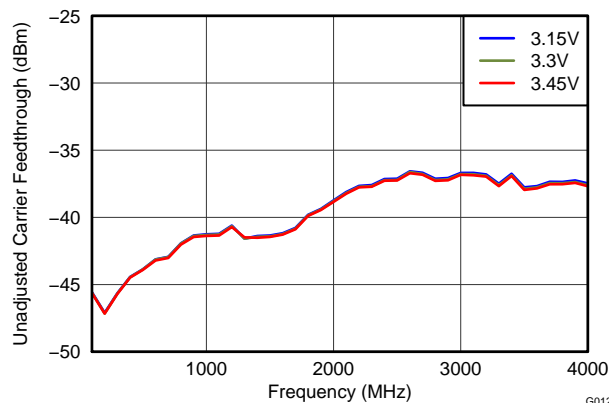
**Figure 11. Unadjusted Carrier Feedthrough vs LO Frequency and LO Power**

**TYPICAL PERFORMANCE PLOTS (continued)**

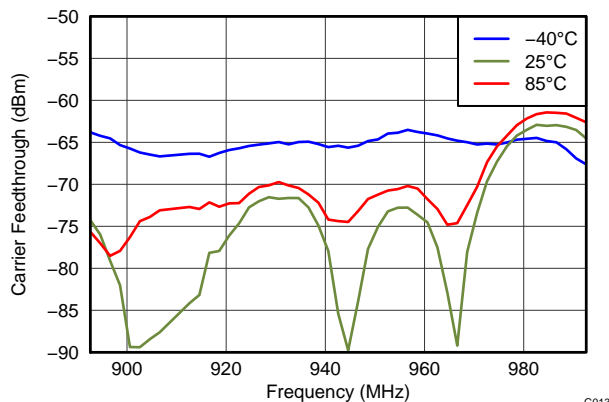
$T_A = 25^\circ\text{C}$ , DAC sampling rate = 65 MSPS, single-tone IF = 1.1 MHz, two-tone IF = 1 MHz and 2 MHz, DVDD18 = 1.8 V, CLKVDD18 = 1.8 V, DACVDD18 = 1.8 V, FUSEVDD18 = 1.8 V, IOVDD = 3.3 V, DACVDD33 = 3.3 V, MODVDD33 = 3.3 V, analog output, unless otherwise noted



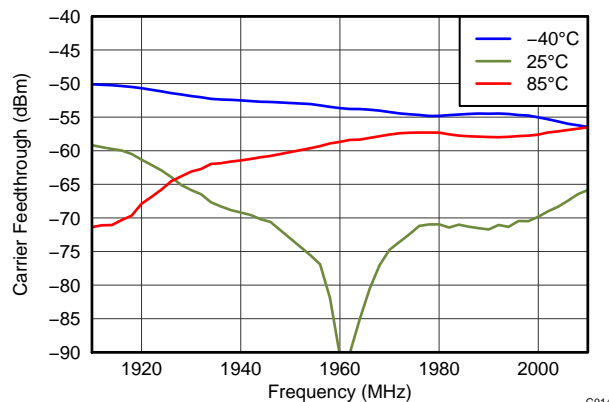
**Figure 12. Unadjusted Carrier Feathrough vs LO Frequency and Temperature**



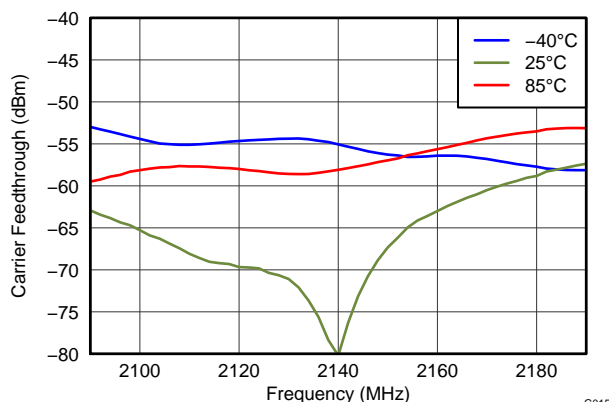
**Figure 13. Unadjusted Carrier Feathrough vs LO Frequency and Supply Voltage**



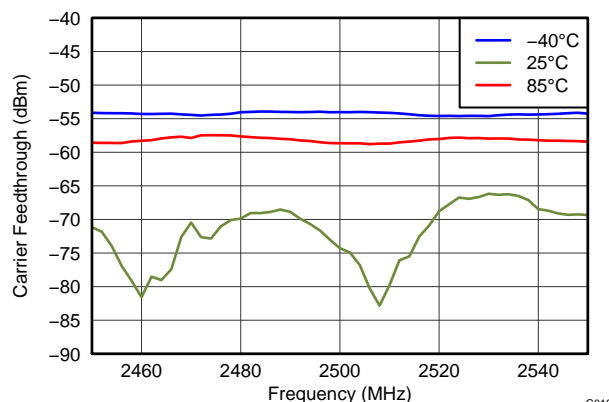
**Figure 14. Adjusted Carrier Feathrough vs LO Frequency and Temperature at 940 MHz**



**Figure 15. Adjusted Carrier Feathrough vs LO Frequency and Temperature at 1960 MHz**



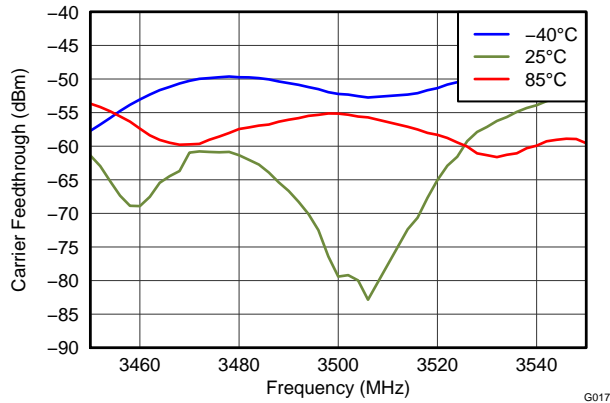
**Figure 16. Adjusted Carrier Feathrough vs LO Frequency and Temperature at 2140 MHz**



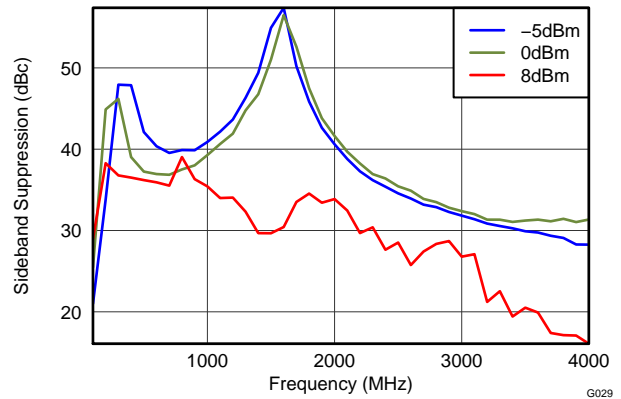
**Figure 17. Adjusted Carrier Feathrough vs LO Frequency and Temperature at 2500 MHz**

**TYPICAL PERFORMANCE PLOTS (continued)**

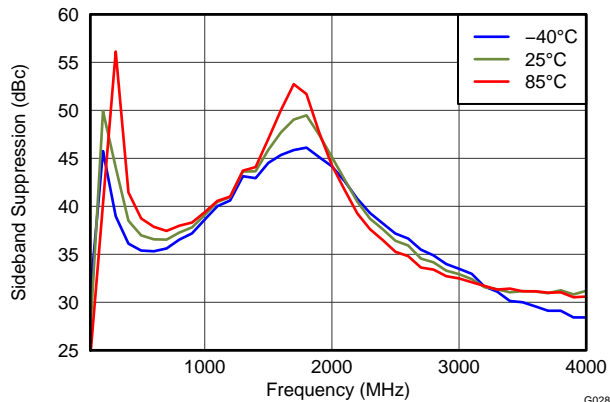
$T_A = 25^\circ\text{C}$ , DAC sampling rate = 65 MSPS, single-tone IF = 1.1 MHz, two-tone IF = 1 MHz and 2 MHz, DVDD18 = 1.8 V, CLKVDD18 = 1.8 V, DACVDD18 = 1.8 V, FUSEVDD18 = 1.8 V, IOVDD = 3.3 V, DACVDD33 = 3.3 V, MODVDD33 = 3.3 V, analog output, unless otherwise noted



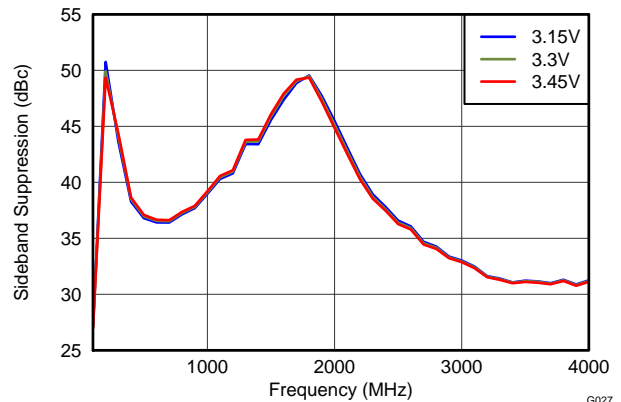
**Figure 18. Adjusted Carrier Feathrough vs LO Frequency and Temperature at 3500 MHz**



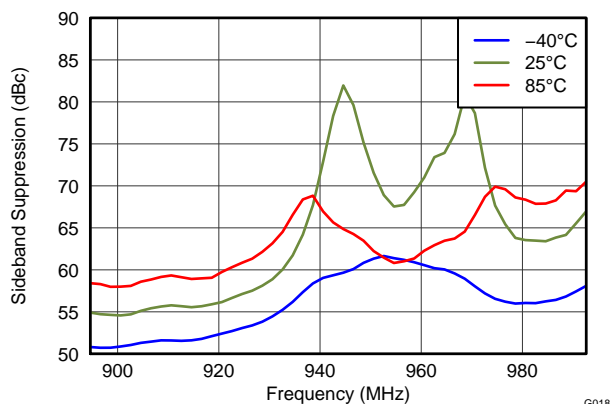
**Figure 19. Unadjusted Sideband Suppression vs LO Frequency and LO Power**



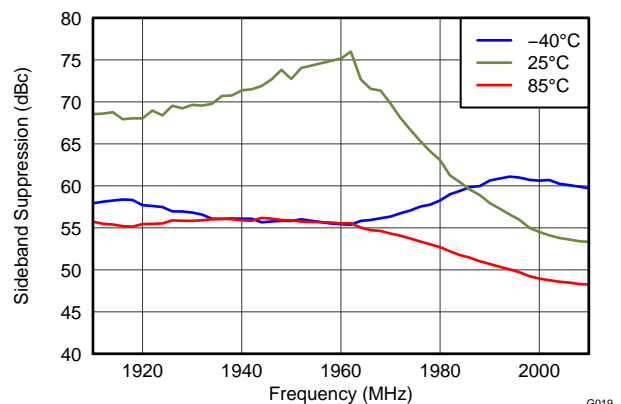
**Figure 20. Unadjusted Sideband Suppression vs LO Frequency and Temperature**



**Figure 21. Unadjusted Sideband Suppression vs LO Frequency and Supply Voltage**



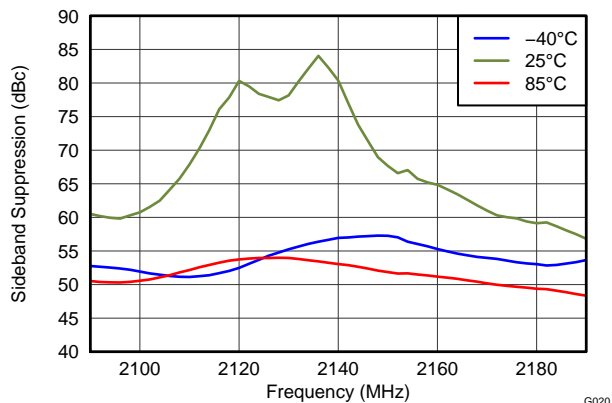
**Figure 22. Adjusted Sideband Suppression vs LO Frequency and Temperature at 940 MHz**



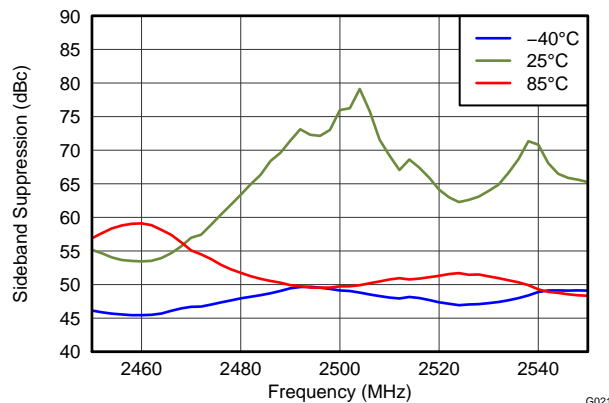
**Figure 23. Adjusted Sideband Suppression vs LO Frequency and Temperature at 1960 MHz**

**TYPICAL PERFORMANCE PLOTS (continued)**

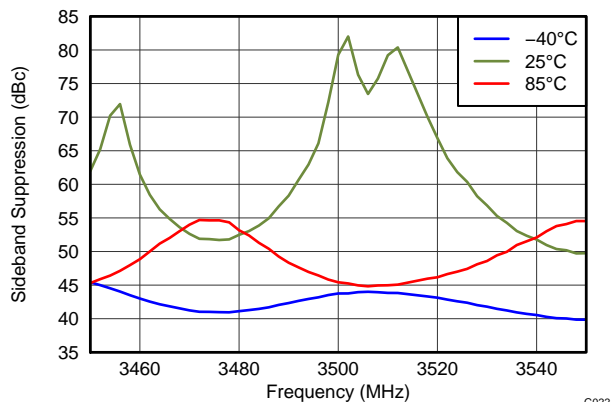
$T_A = 25^\circ\text{C}$ , DAC sampling rate = 65 MSPS, single-tone IF = 1.1 MHz, two-tone IF = 1 MHz and 2 MHz, DVDD18 = 1.8 V, CLKVDD18 = 1.8 V, DACVDD18 = 1.8 V, FUSEVDD18 = 1.8 V, IOVDD = 3.3 V, DACVDD33 = 3.3 V, MODVDD33 = 3.3 V, analog output, unless otherwise noted



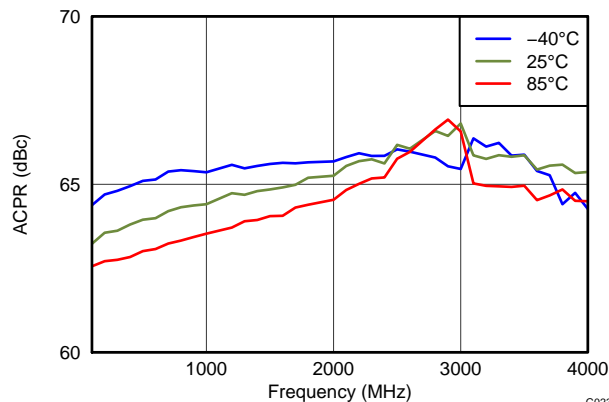
**Figure 24. Adjusted Sideband Suppression vs LO Frequency and Temperature at 2140 MHz**



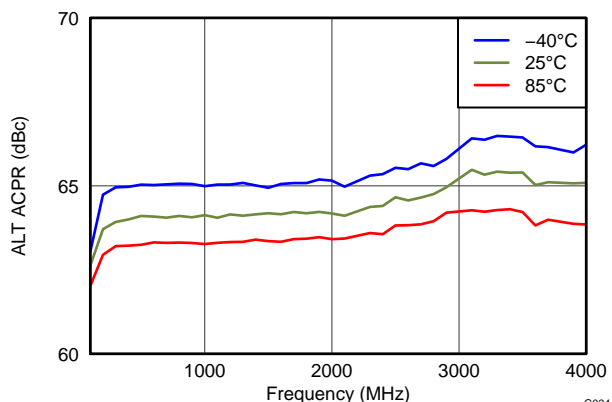
**Figure 25. Adjusted Sideband Suppression vs LO Frequency and Temperature at 2500 MHz**



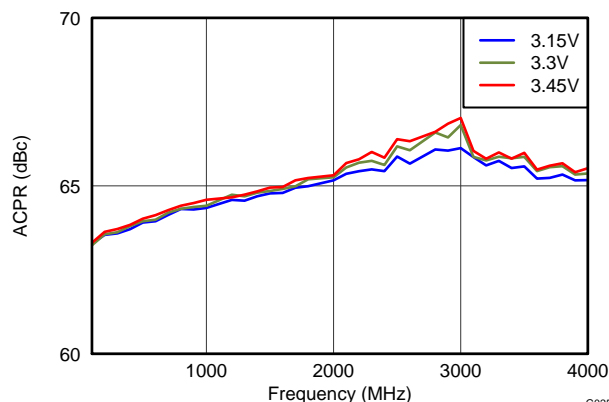
**Figure 26. Adjusted Sideband Suppression vs LO Frequency and Temperature at 3500 MHz**



**Figure 27. WCDMA Adjacent-Channel Power Ratio (ACPR) vs Temperature**



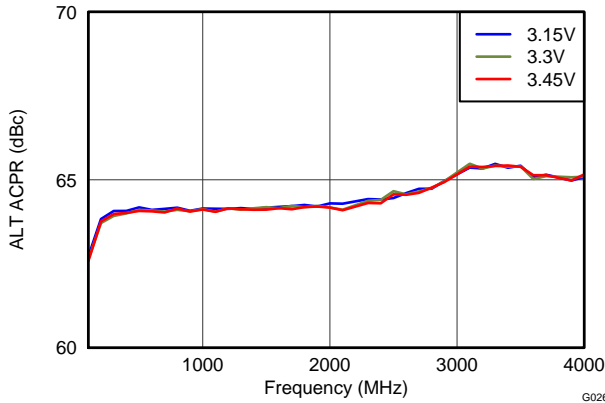
**Figure 28. WCDMA Adjacent-Channel Power Ratio (Alt-ACPR) vs Temperature**



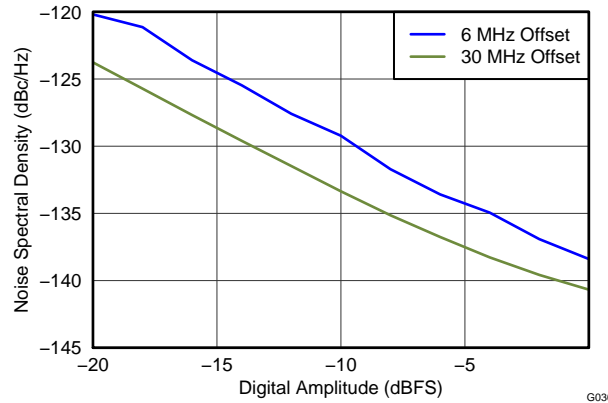
**Figure 29. WCDMA Adjacent-Channel Power Ratio (ACPR) vs Supply Voltage**

**TYPICAL PERFORMANCE PLOTS (continued)**

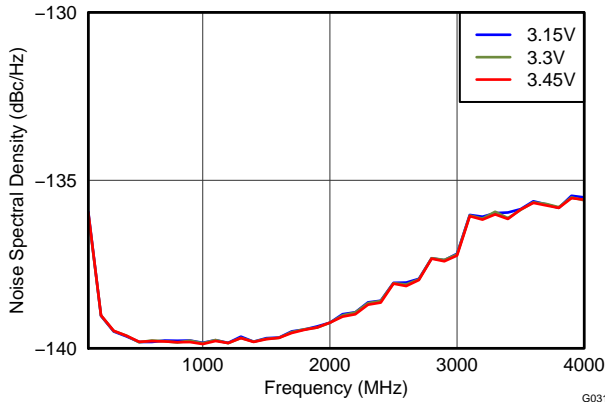
$T_A = 25^\circ\text{C}$ , DAC sampling rate = 65 MSPS, single-tone IF = 1.1 MHz, two-tone IF = 1 MHz and 2 MHz, DVDD18 = 1.8 V, CLKVDD18 = 1.8 V, DACVDD18 = 1.8 V, FUSEVDD18 = 1.8 V, IOVDD = 3.3 V, DACVDD33 = 3.3 V, MODVDD33 = 3.3 V, analog output, unless otherwise noted



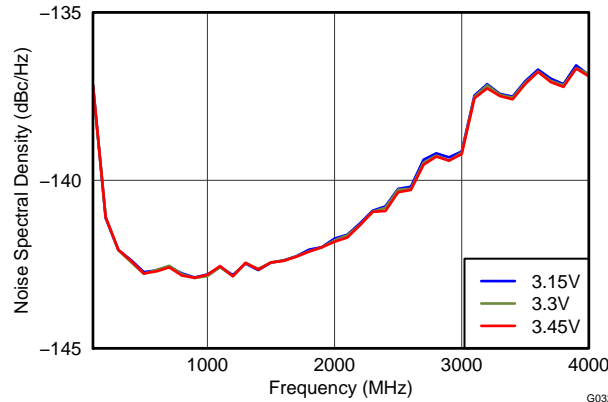
**Figure 30. WCDMA Adjacent-Channel Power Ratio (Alt-ACPR) vs Supply Voltage**



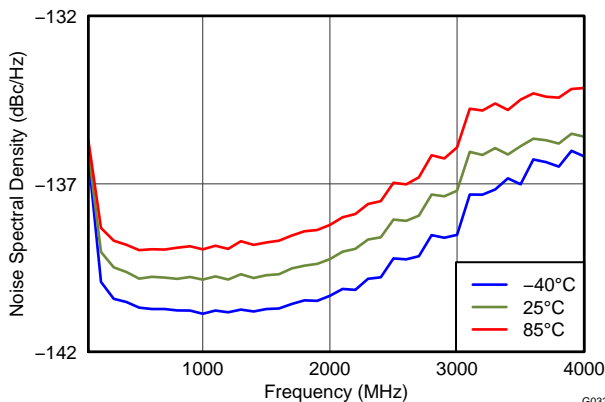
**Figure 31. Noise Spectral Density (NSD) vs Input Power and LO Frequency**



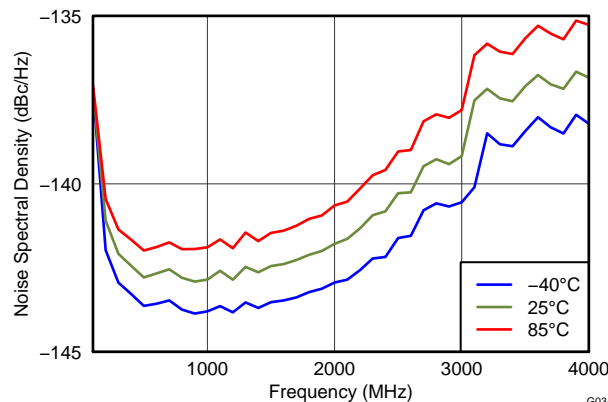
**Figure 32. Noise Spectral Density (NSD) at 6-MHz Offset vs LO Frequency and Supply Voltage**



**Figure 33. Noise Spectral Density (NSD) at 30-MHz Offset vs LO Frequency and Supply Voltage**



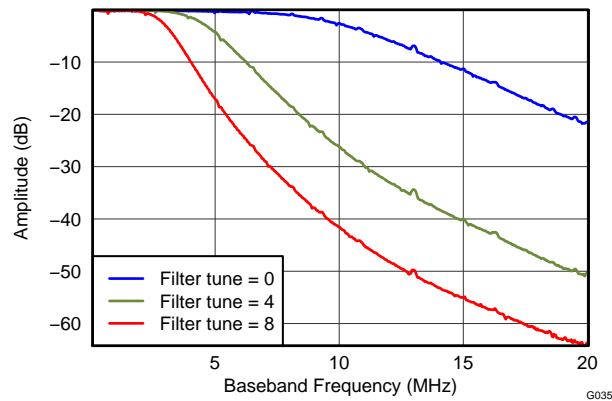
**Figure 34. Noise Spectral Density (NSD) at 6-MHz Offset vs LO Frequency and Temperature**



**Figure 35. Noise Spectral Density (NSD) at 30-MHz Offset vs LO Frequency and Temperature**

**TYPICAL PERFORMANCE PLOTS (continued)**

$T_A = 25^\circ\text{C}$ , DAC sampling rate = 65 MSPS, single-tone IF = 1.1 MHz, two-tone IF = 1 MHz and 2 MHz, DVDD18 = 1.8 V, CLKVDD18 = 1.8 V, DACVDD18 = 1.8 V, FUSEVDD18 = 1.8 V, IOVDD = 3.3 V, DACVDD33 = 3.3 V, MODVDD33 = 3.3 V, analog output, unless otherwise noted



**Figure 36. Baseband Filter Response**

## SERIAL INTERFACE

The serial port of the AFE7070 is a flexible serial interface which communicates with industry-standard microprocessors and microcontrollers. The interface provides read/write access to all registers used to define the operating modes of the AFE7070. The serial port is compatible with most synchronous transfer formats and can be configured as a 3- or 4-pin interface by **sif\_4pin** in **CONFIG3 (bit6)**. In both configurations, **SCLK** is the serial interface input clock and **SDENB** is serial interface enable. For the 3-pin configuration, **SDIO** is a bidirectional pin for both data in and data out. For the 4-pin configuration, **SDIO** is data-in only and **ALARM\_SDO** is data-out only. Data is input into the device with the rising edge of **SCLK**. Data is output from the device on the falling edge of **SCLK**.

Each read/write operation is framed by signal **SDENB** (serial data-enable bar) asserted low for 2 to 5 bytes, depending on the data length to be transferred (1–4 bytes). The first frame byte is the instruction cycle, which identifies the following data transfer cycle as read or write, how many bytes to transfer, and the address to which to transfer the data. [Table 1](#) indicates the function of each bit in the instruction cycle and is followed by a detailed description of each bit. Frame bytes 2 through 5 comprise the data transfer cycle.

**Table 1. Instruction Byte of the Serial Interface**

Bit	MSB							LSB
	7	6	5	4	3	2	1	0
Description	R/W	N1	N0	A4	A3	A2	A1	A0

**R/W** Identifies the following data transfer cycle as a read or write operation. A high indicates a read operation from the AFE7070, and a low indicates a write operation to the AFE7070.

**[N1 : N0]** Identifies the number of data bytes to be transferred, as listed in [Table 2](#). Data is transferred MSB first.

**Table 2. Number of Transferred Bytes Within One Communication Frame**

N1	N0	DESCRIPTION
0	0	Transfer 1 byte
0	1	Transfer 2 bytes
1	0	Transfer 3 bytes
1	1	Transfer 4 bytes

**[A4 : A0]** Identifies the address of the register to be accessed during the read or write operation. For multi-byte transfers, this address is the starting address. Note that the address is written to the AFE7070 MSB first and counts down for each byte.

[Figure 37](#) shows the serial interface timing diagram for an AFE7070 write operation. **SCLK** is the serial interface clock input to AFE7070. Serial data enable **SDENB** is an active-low input to the AFE7070. **SDIO** is serial data in. Input data to the AFE7070 is clocked on the rising edges of **SCLK**.



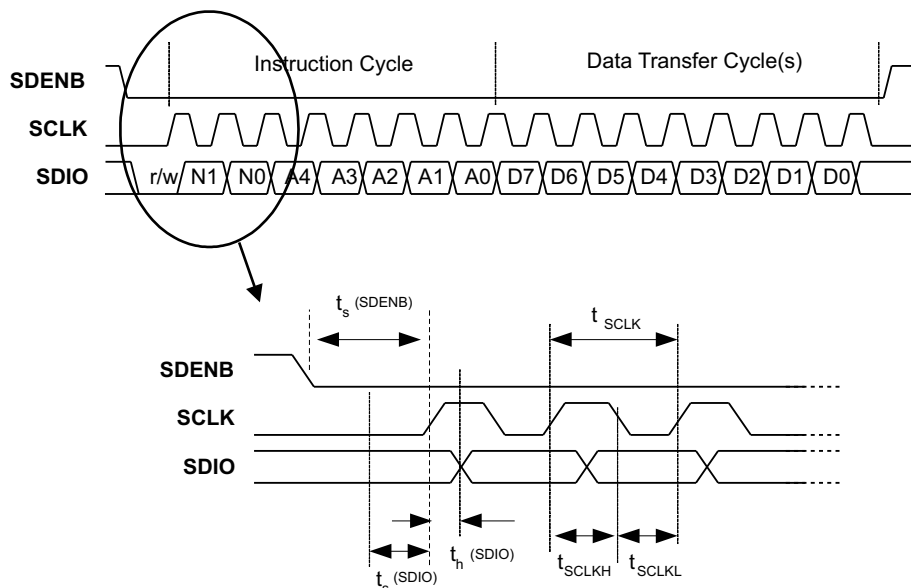


Figure 37. Serial Interface Write Timing Diagram

Figure 38 shows the serial interface timing diagram for an AFE7070 read operation. **SCLK** is the serial interface clock input to AFE7070. Serial data enable **SDENB** is an active-low input to the AFE7070. **SDIO** is serial data-in during the instruction cycle. In the 3-pin configuration, **SDIO** is data-out from the AFE7070 during the data transfer cycle(s), while **ALARM\_SDO** is in a high-impedance state. In the 4-pin configuration, **ALARM\_SDO** is data-out from the AFE7070 during the data transfer cycle(s). At the end of the data transfer, **ALARM\_SDO** outputs low on the final falling edge of **SCLK** until the rising edge of **SDENB**, when it enters the high-impedance state.

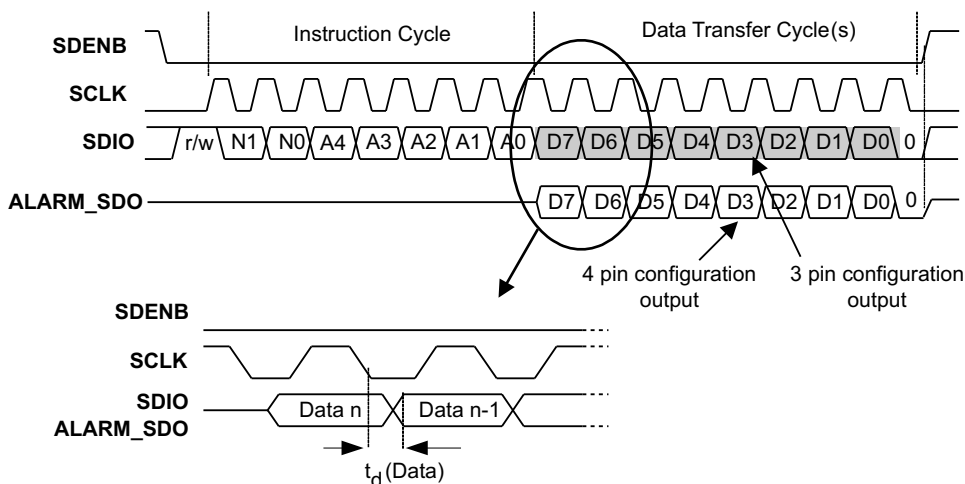


Figure 38. Serial Interface Read Timing Diagram

## REGISTER DESCRIPTIONS

In the SIF interface there are three types of registers, *NORMAL*, *READ\_ONLY*, and *WRITE\_TO\_CLEAR*. The *NORMAL* register type allows data to be written and read from the register. All 8 bits of the data are registered at the same time, but there is no synchronizing with an internal clock. All register writes are asynchronous with respect to internal clocks. *READ\_ONLY* registers only allow reading of the registers—writing to them has no effect. *WRITE\_TO\_CLEAR* registers are just like *NORMAL* registers in that they can be written and read; however, when the internal signals set a bit high in these registers, that bit stays high until it is written to 0. This way, interrupts are captured and constant until dealt with and cleared.

## Register Map

Name	Address	Default	(MSB) bit 7	bit 6	bit 5	bit 4	bit 3	bit 2	bit 1	(LSB) bit 0
CONFIG0	0x00	0x10	div2_dacclk_ena	div2_sync_ena	clkio_sel	clkio_out_ena_n	data_clk_sel	data_type	fifo_ena	sync_lorQ
CONFIG1	0x01	0x10	twos	iqswap	trim_clk_rc_ftr		daca_complement	dacb_complement	lvds_clk_div	
CONFIG2	0x02	0xXX	Unused	Unused	Unused	Unused	Unused	Unused	Alarm_fifo_2away	Alarm_fifo_1away
CONFIG3	0x03	0x10	alarm_or_sdo_ena	sif_4pin	SLEEP	TXENABLE	SYNC	sync_sleep_txenable_sel		msb_out
CONFIG4	0x04	0x0F	fuse_pd	mixer_gain	pd_clkrvr	pd_clkrvr_mask	coarse_dac(3:0)			
CONFIG5	0x05	0x00	offset_ena	qmc_corr_ena	mixer_ena	filter_tune(4:0)				
CONFIG6	0x06	0x00	pd_lvds	pd_rf_out	pd_dac	pd_analogout	pd_lvds_mask	pd_tf_out_mask	pd_dac_mask	pd_analogout_mask
CONFIG7	0x07	0x13	mask_2away	mask_1away	fifo_sync_mask	fifo_offset	alarm2away_ena			alarm_1away_ena
CONFIG8	0x08	0x00	qmc_offseta (7:0)							
CONFIG9	0x09	0x7A	qmc_offsetb (7:0)							
CONFIG10	0x0A	0xB6	qmc_offseta(12:8)					Unused	Unused	Unused
CONFIG11	0x0B	0xEA	qmc_offsetb(12:8)					Unused	Unused	Unused
CONFIG12	0x0C	0x45	qmc_gaina (7:0)							
CONFIG13	0x0D	0x1A	qmc_gainb (7:0)							
CONFIG14	0x0E	0x16	qmc_phase (7:0)							
CONFIG15	0x0F	0xAA	qmc_phase(9:8)		qmc_gaini(10:8)			qmc_gainq(10:8)		
CONFIG16	0x10	0xC6	freq (7:0)							
CONFIG17	0x11	0x24	freq (15:8)							
CONFIG18	0x12	0x02	freq (23:16)							
CONFIG19	0x13	0x00	freq (31:24)							
CONFIG20	0x14	0x00	phase (7:0)							
CONFIG21	0x15	0x00	phase (15:8)							
CONFIG22	0x16	0x00	Reserved							
CONFIG23	0x17	0xXX	Reserved							
CONFIG24	0x18	0xXX	Reserved							
CONFIG25	0x19	0xXX	Reserved							
CONFIG26	0x1A	0xXX	Reserved							
CONFIG27	0x1B	0xXX	Reserved							
CONFIG28	0x1C	0xXX	Reserved							
CONFIG29	0x1D	0xXX	Reserved							
CONFIG30	0x1E	0xXX	Reserved							
CONFIG31	0x1F	0x82	titest_voh	titest_vol	Version(5:0)					

**Register name: CONFIG0; Address: 0x00**

BIT 7					BIT 0		
div2_dacclk_ena	div2_sync_ena	clkio_sel	clkio_out_ena_n	data_clk_sel	data_type	fifo_ena	sync_lorQ
0	0	0	1	0	0	0	0

**Table 3. Clock Mode Memory Programming**

Mode	div2_dacclk_ena	div2_sync_ena	clkio_sel	clkio_out_ena_n	data_clk_sel
Dual input clock(00)	1	0	1	1	0
Dual output clock (01)	1	1	0	0	0
Single differential DDR clock (10)	0	0	0	1	1
Single differential SDR clock (11)	0	0	1	1	1

- div2\_dacclk\_ena:** When set to 1, this enables the divide-by-2 in the DAC clock path. This must be set to 1 when in dual-input clock mode or dual-output clock mode.
- div2\_sync\_ena:** When set to 1, the divide-by-2 is synchronized with the iq\_flag. It is only useful in the dual-clock modes when the divide-by-2 is enabled. Care must be take to ensure the input data and DAC clocks are correctly aligned.
- clkio\_sel:** This bit is used to determine which clock is used to latch the input data. This should be set according to [Table 3](#).
- clkio\_out\_ena\_n:** When set to 0, the clock CLK\_IO is an output. Depending on the mode, is should be set according to [Table 3](#).
- data\_clk\_sel:** This bit is used to determine which clock is used to latch the input data. This should be set according to [Table 3](#).
- data\_type:** When asserted, the phase data is presented at the data interface. The phase data is then updated with each clock. The phase register then holds the value of the I and Q data to be used with the mix operation.
- fifo\_ena:** When asserted, the FIFO is enabled. Used in dual-input clock mode only. In all other modes, the FIFO is bypassed.
- sync\_lorQ:** When set to 0, sync is latched on the I phase of the input clock. When set to 1, sync is detected on the Q phase of the clock and is sent to the rest of the chip when the next I data is presented.

**Register name: CONFIG1; Address: 0x01**

BIT 7				BIT 0			
twos	iqswap	trim_clk_rc_fltr		daca_complement	dacb_complement	lvds_clk_div	
0	0	0	1	0	0	X	X

twos: When asserted, the input to the chip is 2s complement, otherwise offset binary.

iqswap: When asserted, the DACA data is driven onto DACB and reverse.

trim\_clk\_rc\_fltr: 2 bits to trim the RC filter for LVDS out

daca\_complement: When asserted, the output to DACA is complemented. This allows the user of the chip effectively to change the + and – designations of the PADs.

dacb\_complement: When asserted, the output to DACB is complemented. This allows the user of the chip effectively to change the + and – designations of the PADs.

lvds\_clk\_div:

lvds_clk_div	LVDS Clock Division
00	2
01	4
10	1
11	1

**Register name: CONFIG2; Address: 0x02**

Write-to-clear register bits remain asserted once set. Each bit must be written to 0 before another 1 can be captured.

BIT 7						BIT 0	
unused	unused	unused	unused	unused	unused	Alarm_fifo_2away	Alarm_fifo_1away
0	0	0	0	0	0	1	1

Alarm\_fifo\_2away: When asserted, the FIFO pointers are 2 away from collision. **(WRITE\_TO\_CLEAR)**

Alarm\_fifo\_1away: When asserted, the FIFO pointers are 1 away from collision. **(WRITE\_TO\_CLEAR)**

**Register name: CONFIG3; Address: 0x03 (INTERFACE SELECTION)**

BIT 7						BIT 0	
alarm_or_sdo_ena	sif_4pin	SLEEP	TXenable	SYNC	sync_sleep_txenable_sel	msb_out	
0	0	0	1	0	0	0	0

alarm\_or\_sdo\_ena: When asserted, the output of the ALARM\_SDO pin is enabled.

na:

sif\_4pin: When asserted, the part is in 4-pin SPI mode. The data-out is output on the ALARM\_SDO pin. If this bit is not enabled, the alarm signal is output on the ALARM\_SDO pin.

sleep: When asserted, all blocks programmed to go to sleep in CONFIG4 and CONFIG6 registers labeled pd\_\*\*\*\_mask are powered down.

TXenable: When 0, the data path is zeroed. When 1, the device transmits.

sync: When written with a 1, the part is synced. To be resynced using the sif register, it must be reset to 0 by writing a 0 then write a 1 to the sif to sync.

sync\_sleep\_txenable\_sel: This is used to define the function of the SYNC\_SLEEP pin. This pin can be used for multiple functions, but only one at a time. When it is set to control any one of the functions, all other functions are controlled by writing their respective sif register bits.

sync_sleep_txenable_sel	Pin controls
00	All controlled by sif bit
01	TXENABLE
10	SYNC
11	SLEEP

msb\_out: When set, and alarm\_sdo\_out\_ena is also set, the ALARM\_SDO pin outputs the value of data bit 13.

**Register name: CONFIG4; Address: 0x04**

BIT 7				BIT 0			
fuse_pd	mixer_gain	pd_clkrcvr	pd_clkrcvr_mask	coarse_dac(3:0)			
0	0	0	0	1	1	1	1

- fuse\_pd:** When set to 1, the fuses are powered down. This saves approximately 50  $\mu$ A at 1.8 V for every intact fuse. The default value is 0.
- mixer\_gain:** When asserted, the complex mixer output is multiplied by 2. Only applied when the mixer is enabled (`mixer_ena = 1`).
- pd\_clkrcvr:** When asserted, the clock receiver is powered down.
- pd\_clkrcvr\_mask:** When asserted, allows the clock receiver to be powered down with the SYNC\_SLEEP pin or sleep register bit.
- coarse\_dac:** DAC full-scale current control

**Register name: CONFIG5; Address: 0x05**

BIT 7				BIT 0			
offset_ena	qmc_corr_ena	mixer_ena	filter_tune(4:0)				
0	0	0	0	0	0	0	0

- offset\_ena:** When asserted, the qmc offset blk is enabled.
- qmc\_corr\_ena:** When asserted, the qmc correction is enabled.
- mixer\_ena:** When asserted, the complex mix is performed. Otherwise, the mixer is bypassed.
- filter\_tune(4:0):** Bits used to change the bandwidth of the analog filters

**Register name: CONFIG6; Address: 0x06**

BIT 7						BIT 0	
pd_lvds	pd_rf_out	pd_dac	pd_analogout	pd_lvds_mask	pd_tf_out_mask	pd_dac_mask	pd_analogout_mask
0	0	0	1	1	1	0	0

- pd\_lvds:** When asserted, the LVDS output stage is powered down.
- pd\_rf\_out:** When asserted, the RF output stage is powered down.
- pd\_dac:** When asserted, DACs are powered down.
- pd\_analog\_out:** When asserted, the entire analog circuit after the DACs (filters, modulator, LO input, RF output stage, LVDS output) is powered down.

The following are used to determine what blocks are powered down when the SYNC\_SLEEP pin is used or the sleep register bit is set.

- pd\_lvds\_mask:** When asserted, allows the LVDS to be powered down
- pd\_rf\_out\_mask:** When asserted, allows the RF output to be powered down
- pd\_dac\_mask:** When asserted, allows the DACs to be powered down

**Register name: CONFIG7; Address: 0x07**

BIT 7			BIT 0			
mask_2away	mask_1away	fifo_sync_mask	fifo_offset		alarm_2away_ena	alarm_1away_ena
0	0	0	1	0	0	1

- mask\_2away:** When set to 1, the ALARM\_SDO pin is not asserted when the FIFO pointers are 2 away from collision. The alarm still shows up in the CONFIG7 bits.
- mask\_1away:** When set to 1, the ALARM\_SDO pin is not asserted when the FIFO pointers are 1 away from collision. The alarm still shows up in the CONFIG7 bits.
- fifo\_sync\_mask:** When set to 1, the sync to the FIFO is masked off. Sync does not then reset the pointers. If the value is 0, when the sync is toggled the FIFO pointers are reset to the offset values.
- fifo\_offset:** Used to set the offset pointers in the FIFO. Programs the starting location of the output side of the FIFO, allows the output pointer to be shifted from –4 to +3 (2s complement) positions with respect to its default position when synced. The default position for the output side pointer is 2. The input side pointer defaults to 0.
- alarm\_2away\_ena:** When asserted, alarms from the FIFO that represent the pointers being 2 away from collision are enabled.
- alarm\_1away\_ena:** When asserted, alarms from the FIFO that represent the pointers being 1 away from collision are enabled.

**Register name: CONFIG8; Address: 0x08**

BIT 7				BIT 0			
qmc_offseta (7:0)							
0	0	0	0	0	0	0	0

- qmc\_offseta(7:0):** Bits 7:0 of qmc\_offseta. The complete registers qmc\_offseta[12:0] and qmc\_offsetb[12:0] are updated when CONFIG8 is written, so CONFIG9, CONFIG10, and CONFIG11 should be written before CONFIG8.

**Register name: CONFIG9; Address: 0x09**

BIT 7				BIT 0			
qmc_offsetb (7:0)							
0	1	1	1	1	0	1	0

- qmc\_offsetb(7:0):** Bits 7:0 of qmc\_offsetb. The complete registers qmc\_offseta[12:0] and qmc\_offsetb[12:0] are updated when CONFIG8 is written, so CONFIG9, CONFIG10, and CONFIG11 should be written before CONFIG8.

**Register name: CONFIG10; Address: 0x0A**

BIT 7				BIT 0			
qmc_offseta(12:8)				Unused	Unused	Unused	
1	0	1	1	0	1	1	0

- qmc\_offsetb(12:8):** Bits 12:8 of qmc\_offseta. The complete registers qmc\_offseta[12:0] and qmc\_offsetb[12:0] are updated when CONFIG8 is written, so CONFIG9, CONFIG10, and CONFIG11 should be written before CONFIG8.

**Register name: CONFIG11; Address: 0x0B**

BIT 7					BIT 0		
qmc_offsetb(12:8)					Unused	Unused	Unused
1	1	1	0	1	0	1	0

qmc\_offsetb(12:8): Bits 12:8 of qmc\_offsetb. The complete registers qmc\_offseta[12:0] and qmc\_offsetb[12:0] are updated when CONFIG8 is written, so CONFIG9, CONFIG10, and CONFIG11 should be written before CONFIG8.

**Register name: CONFIG12; Address: 0x0C**

BIT 7					BIT 0		
qmc_gaina (7:0)							
0	1	0	0	0	1	0	1

qmc\_gaina(7:0): Bits 7:0 of qmc\_gaina. The complete registers qmc\_gaina[10:0], qmc\_gainb[10:0] and qmc\_phase[9:0] are updated when CONFIG12 is written, so CONFIG13, CONFIG14, and CONFIG15 should be written before CONFIG12.

**Register name: CONFIG13; Address: 0x0D**

BIT 7					BIT 0		
qmc_gainb (7:0)							
0	0	0	1	1	0	0	0

qmc\_gainb(7:0): Bits 7:0 of qmc\_gainb. The complete registers qmc\_gaina[10:0], qmc\_gainb[10:0] and qmc\_phase[9:0] are updated when CONFIG12 is written, so CONFIG13, CONFIG14, and CONFIG15 should be written before CONFIG12.

**Register name: CONFIG14; Address: 0x0E**

BIT 7					BIT 0		
qmc_phase (7:0)							
0	0	0	1	0	1	1	0

qmc\_phase(7:0) Bits 7:0 of qmc\_phase. The complete registers qmc\_gaina[10:0], qmc\_gainb[10:0] and qmc\_phase[9:0] are updated when CONFIG12 is written, so CONFIG13, CONFIG14, and CONFIG15 should be written before CONFIG12.

**Register name: CONFIG15; Address: 0x0F**

BIT 7					BIT 0		
qmc_phase(9:8)		qmc_gaina(10:8)			qmc_gainb(10:8)		
1	0	1	0	1	0	1	0

qmc\_phase(9:8): Bits 9:8 of qmc\_phase value

qmc\_gaina(10:8): Bits 9:8 of qmc\_gaina value

qmc\_gainb(10:8): Bits 9:8 of qmc\_gainb value

The complete registers qmc\_gaina[10:0], qmc\_gainb[10:0] and qmc\_phase[9:0] are updated when CONFIG12 is written, so CONFIG13, CONFIG14, and CONFIG15 should be written before CONFIG12.



**Register name: CONFIG16; Address: 0x10**

BIT 7				BIT 0			
freq (7:0)							
1	1	0	0	0	1	1	0

freq(7:0): Bits 7:0 of frequency value

**Register name: CONFIG17; Address: 0x11**

BIT 7				BIT 0			
freq (15:8)							
0	0	1	0	0	1	0	0

freq (15:8): Bits 15:8 of frequency value

**Register name: CONFIG18; Address: 0x12**

BIT 7				BIT 0			
freq (23:15)							
0	0	0	0	0	0	1	0

freq (23:15): Bits 23:15 of frequency value

**Register name: CONFIG19; Address: 0x13**

BIT 7				BIT 0			
freq (31:24)							
0	0	0	0	0	0	0	0

freq (31:24): Bits 31:24 of frequency value

**Register name: CONFIG20; Address: 0x14**

BIT 7				BIT 0			
phase (7:0)							
0	0	0	0	0	0	0	0

phase (7:0): Bits 7:0 of phase value

**Register name: CONFIG21; Address: 0x15**

BIT 7				BIT 0			
phase (15:8)							
0	0	0	0	0	0	0	0

phase (15:8): Bits 15:8 of phase value

**Register name: CONFIG22; Address: 0x16**

BIT 7				BIT 0			
nco_sync_sleep(7:0)							
0	0	0	0	0	0	0	0

nco\_sync\_sleep(7:0): Set to 11110000 to use the SYNC\_SLEEP pin to update the NCO frequency value; otherwise, set to 00000000. Note that register sync\_sleep\_txenable\_sel in CONFIG3 must be set to 10 to use the SYNC\_SLEEP pin as a SYNC input.

**Register name: CONFIG23; Address: 0x17**

BIT 7						BIT 0	
Reserved – Varies from device to device							
X	X	X	X	X	X	X	X

**Register name: CONFIG24; Address: 0x18**

BIT 7						BIT 0	
reserved – Varies from device to device							
X	X	X	X	X	X	X	X

**Register name: CONFIG25; Address: 0x19**

BIT 7						BIT 0	
Reserved – Varies from device to device							
X	X	X	X	X	X	X	X

**Register name: CONFIG26; Address: 0x1A**

BIT 7						BIT 0	
Reserved – Varies from device to device							
X	X	X	X	X	X	X	X

**Register name: CONFIG27; Address: 0x1B**

BIT 7						BIT 0	
Reserved – Varies from device to device							
X	X	X	X	X	X	X	X

**Register name: CONFIG28; Address: 0x1C**

BIT 7						BIT 0	
Reserved – Varies from device to device							
X	X	X	X	X	X	X	X

**Register name: CONFIG29; Address: 0x1D**

BIT 7						BIT 0	
Reserved – Varies from device to device							
X	X	X	X	X	X	X	X

**Register name: CONFIG30; Address: 0x1E**

BIT 7						BIT 0	
Reserved – Varies from device to device							
X	X	X	X	X	X	X	X

**Register name: CONFIG31; Address: 0x1F**

BIT 7						BIT 0	
titest_voh	titest_vol	Version(5:0)					
1	0	0	0	0	0	1	0

titest\_voh: Bit held high for sif test purposes

titest\_vol: Bit held low for sif test purposes

version: Version of the chip

## PARALLEL DATA INPUT

The AFE7070 can input either complex I and Q data interleaved on D[13:0] at a data rate 2× the internal output sample clock frequency, 16-bit NCO phase data interleaved as 8 MSBs and 8 LSBs on pins D[13:6] at a data rate 2× the internal output sample clock frequency, or 14-bit NCO phase data at a data rate 1× the internal output sample clock frequency. These modes are described in detail in the CLOCK MODES section.

## CLOCK MODES

The AFE7070 has four clock modes for providing the DAC sample clock and data latching clocks.

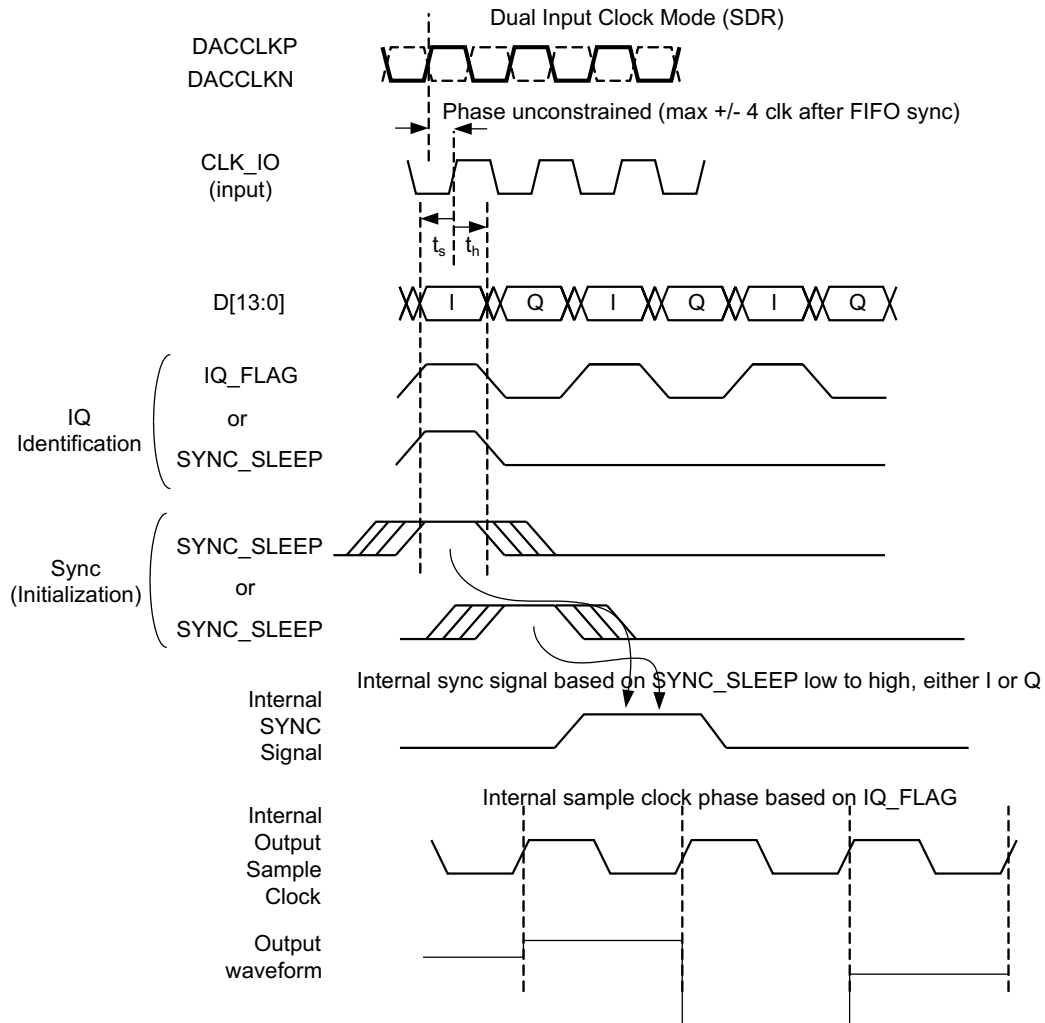
Clock Mode	CLK_IO	FIFO	DataLatch	DACCLKFreqRatio	DataFormat	Progammig Bits
Dual-input clock	Input	Enabled	CLK_IO	1× or 2× internal sample clock	IQ or phase (MSB/LSB)	See <a href="#">Table 3</a> in CONFIG0 decription.
Dual-output clock	Output	Disabled	CLK_IO	2× internal sample clock	IQ or phase (MSB/LSB)	
Single differential DDR clock	Disabled	Disabled	DACCLK	1× internal sample clock	IQ or phase (MSB/LSB)	
Single differential SDR clock	Disabled	Disables	DACCLK	1× internal sample clock	14-bit phase-only	

## DUAL-INPUT CLOCK MODE

In dual-input clock mode, the user provides both a differential DAC clock at pins DACCLKP/N at 2× the internal sample clock frequency and a second single-ended CMOS-level clock at CLK\_IO for latching input data. The DACCLK is divided by 2 internally to provide the internal output sample clock, with the phase determined by the IQ\_FLAG input. The IQ\_FLAG signal can either be a repetitive high/low signal or a single event that is used to reset the clock divider phase and identify the I sample.

CLK\_IO is an SDR clock at the input data rate, or 2× the internal sample-clock frequency. The DAC clock and data clock must be frequency locked, and a FIFO is used internally to absorb the phase difference between the two clock domains. The phase relationship of CLK\_IO and DACCLK can be any phase at the initial sync of the FIFO, and thereafter can move up to ±4 clock cycles before the FIFO input and output pointers overrun and cause data errors. In dual-input clock mode, the latency from input data to output samples is not controlled because the FIFO can introduce a one-clock cycle variation in latency, depending on the exact phase relationship between DACCLK and CLK\_IO.

An external sync must be given on the SYNC\_SLEEP pin to reset/initialize internal signal processing blocks. Because the internal processing blocks process I and Q in parallel, the user can provide the sync signal during either the I or Q input times (or both). Note that the internal sync signal must propagate through the input FIFO, and therefore the latency of the sync updates of the signal processing blocks is not controlled.



**Figure 39. Dual-Input Clock Mode**

## DUAL-OUTPUT CLOCK MODE

In dual-output clock mode, the user provides a differential DAC clock at pins DACCLKP/N at 2x the internal sample clock frequency. The DACCLK is divided by 2 internally to provide the internal output sample clock, with the phase determined by the IQ\_FLAG input. The IQ\_FLAG signal can either be a repetitive high/low signal or a single event that is used to reset the clock divider phase and identify the I sample.

The AFE7070 outputs a single-ended CMOS-level clock at CLK\_IO for latching input data. CLK\_IO is an SDR clock at the input data rate, or 2x the internal sample clock frequency. The CLK\_IO clock can be used to drive the input data source (such as digital upconverter) that sends the data to the DAC. Note that the CLK\_IO delay relative to the input DACCLK rising edge ( $t_d$ ) in [Figure 40](#) increases with increasing loads.

An external sync can be given on the SYNC\_SLEEP pin to reset/initialize internal signal processing blocks. Because the internal processing blocks process I and Q in parallel, the user can provide the sync signal during either the I or Q input times (or both).

In the dual-output clock mode, the FIFO is bypassed, so the latency from the data input to the DAC output and the time from sync input to update of the signal processing block are deterministic.

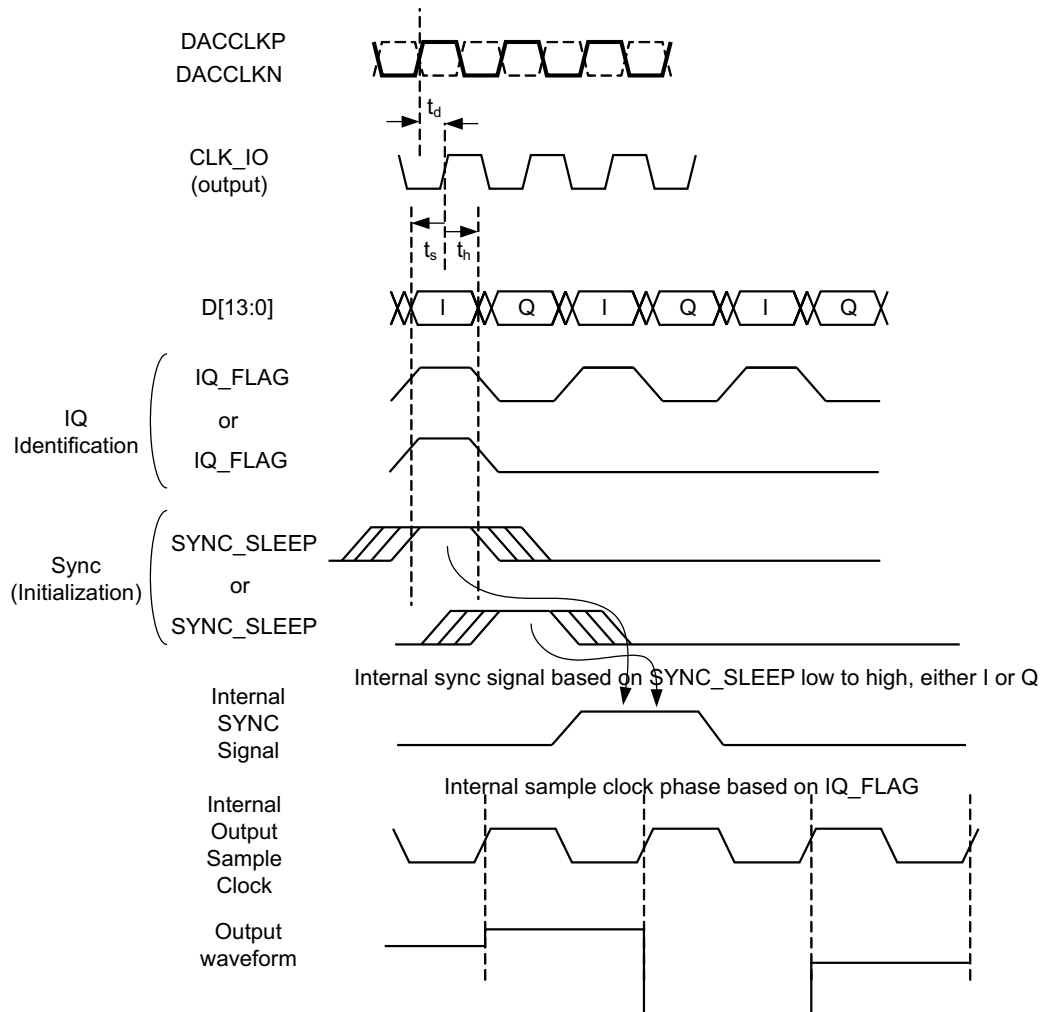


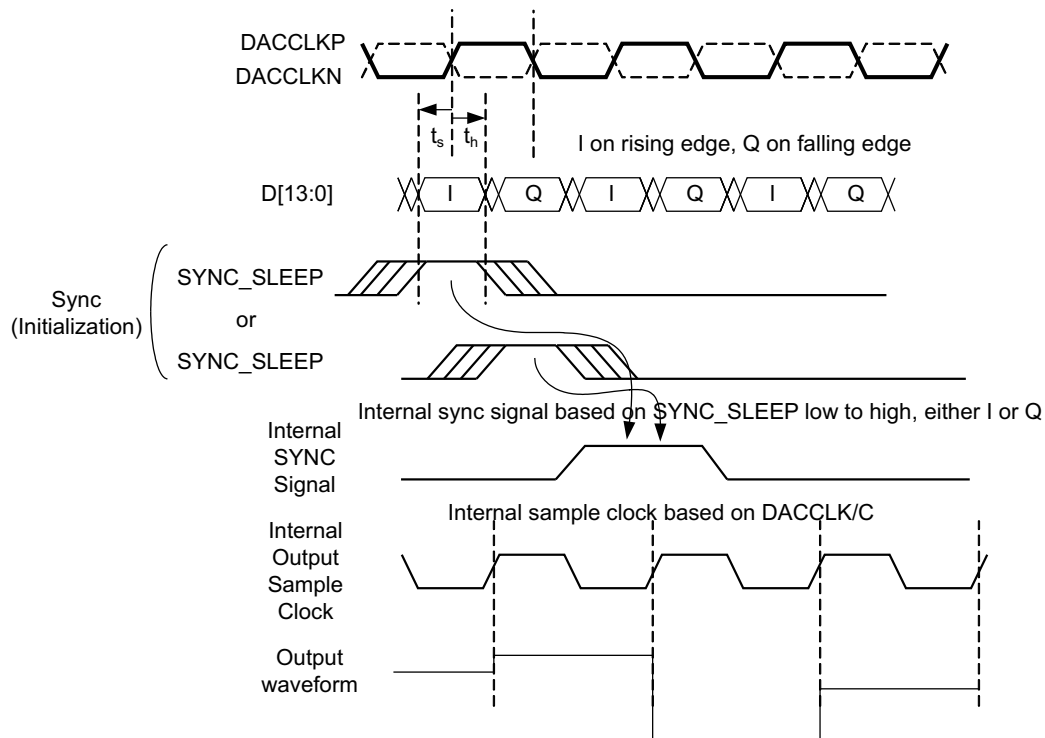
Figure 40. Dual-Output Clock Mode Timing Diagram

### SINGLE DIFFERENTIAL DDR CLOCK

In single differential DDR clock mode, the user provides a differential clock to DACCLKP/N at the internal output sample clock frequency. The rising and falling edges of DACCLK are used to latch I and Q data, respectively. The internal output sample clock is derived from DACCLKP/N.

An external sync can be given on the SYNC\_SLEEP pin to reset/initialize internal signal processing blocks. Because the internal processing blocks process I and Q in parallel, the user can provide the sync signal during either the I or Q input times (or both).

In the single differential DDR clock mode, the FIFO is bypassed, so the latency from the data input to the DAC output and the time from sync input to update of the signal processing block are deterministic.



**Figure 41. Single Clock Mode Timing Diagram**

## SINGLE DIFFERENTIAL SDR CLOCK MODE

In single differential SDR clock mode, the user provides a differential clock to DACCLKP/N at 1× the internal output sample clock frequency. This mode is only used for transferring 14-bit phase data, and therefore only requires one data latching per internal output sample clock. The internal output sample clock is derived from DACCLKP/N.

An external sync can be given on the SYNC\_SLEEP pin to reset/initialize internal signal processing blocks.

In the single differential SDR clock mode, the FIFO is bypassed, so the latency from the data input to the DAC output and the time from sync input to update of the signal processing block are deterministic.

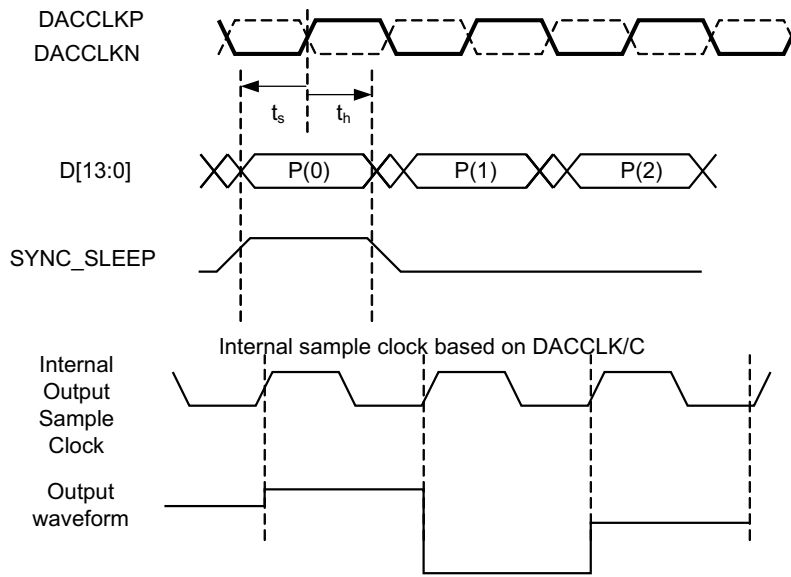


Figure 42. Single Differential SDR Clock Mode

## FIFO ALARMS

The FIFO only operates when the write and read pointers are positioned properly. If either pointer over- or under-runs the other, samples are duplicated or skipped. To prevent this, register CONFIG2 can be used to track two FIFO-related alarms:

- `alarm_fifo_2away`: Occurs when the pointers are within two addresses of each other
- `alarm_fifo_1away`: Occurs when the pointers are within one address of each other

These two alarm events are generated asynchronously with respect to the clocks and can be accessed through the ALARM\_SDO pin by writing a 1 in register `alarm_or_sdo_ena` (CONFIG3[7]) and 0 in register `sif_4pin` (CONFIG3[6]).

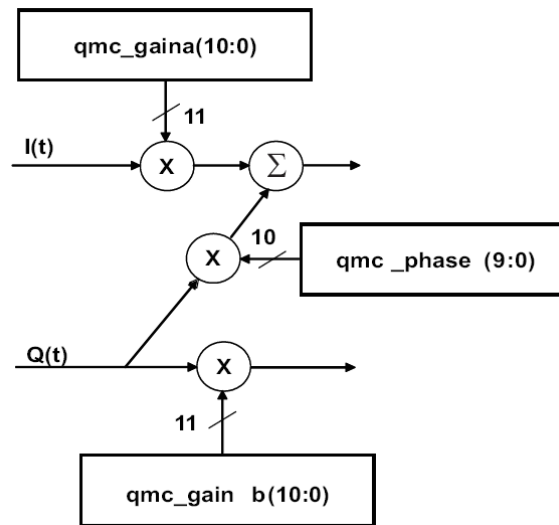
## SYNCHRONIZATION

The AFE7070 has a synchronization input pin, SYNC\_SLEEP, that is sampled by the same clock mode as the input data to initialize signal processing blocks and optionally update NCO frequency and phase values. In the case of dual input clock mode, the sync signal must propagate through the input FIFO, which creates an uncertainty of  $\pm 1$  clock cycle for the synchronization of the signal processing. In all other clock modes, the FIFO is bypassed; therefore the exact time of the SYNC\_SLEEP input to sync event is deterministic, and multiple devices can be exactly synchronized.

The function of the pin SYNC\_SLEEP is determined by register `sync_sleep_txenable_sel` in CONFIG3; setting to 10 configures the SYNC\_SLEEP pin as a SYNC input.

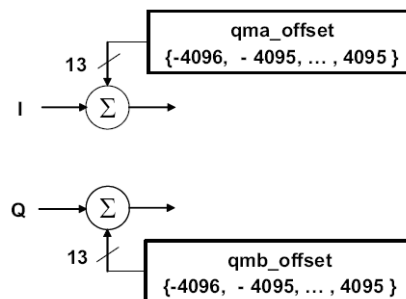
## QUADRATURE MODULATOR CORRECTION (QMC) BLOCK

The quadrature modulator correction (QMC) block provides a means for changing the phase balance of the complex signal to compensate for I and Q imbalance present in an analog quadrature modulator. The block diagram for the QMC block is shown in Figure 43. The QMC block contains three programmable parameters. Registers `qmc_gaina(10:0)` and `qmc_gainb(10:0)` control the I and Q path gains and are 11-bit values with a range of 0 to approximately 2.0. Register `qmc_phase(9:0)` controls the phase imbalance between I and Q and is a 10-bit value with a range of  $-1/8$  to approximately  $+1/8$ . LO feedthrough can be minimized by adjusting the DAC offset feature described below.



**Figure 43. QMC Gain/Phase Block Diagram**

The LO feedthrough can be minimized by adjusting the DAC offset. Registers **qmc\_offseta(12:0)** and **qmc\_offsetb(12:0)** control the I and Q path offsets and are 13-bit values with a range of  $-4096$  to  $4095$ . The DAC offset value adds a digital offset to the digital data before digital-to-analog conversion. The **qmc\_gaina** and **qmc\_gainb** registers can be used to back off the signal before the offset to prevent saturation when the offset value is added to the digital signal.



**Figure 44. QMC Offset Block Diagram**

## NUMERICALLY CONTROLLED OSCILLATOR (NCO)

The AFE7070 contains a numerically controlled oscillator that can be used as either a data generation source or to provide sin and cos for fully complex mixing with input data. The NCO has a 32-bit frequency register **freq(31:0)** and a 16-bit phase register **phase(15:0)**. The NCO tuning frequency is programmed in the CONFIG16 through CONFIG19 registers. Phase offset is programmed in the CONFIG20 and CONFIG21 registers. A block diagram of the NCO is shown in [Figure 45](#).



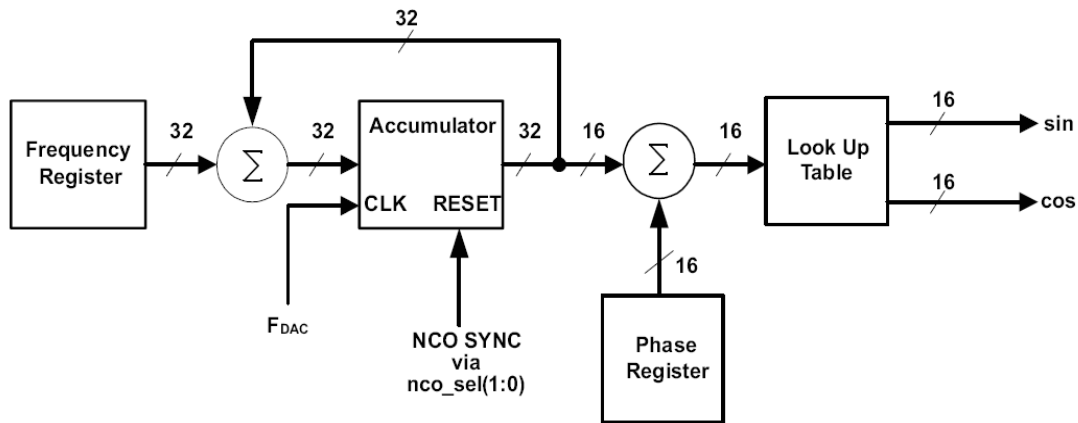


Figure 45. Numerically Controlled Oscillator (NCO)

Synchronization of the NCO occurs by resetting the NCO accumulator to zero, which is described as follows. Frequency word **freq** in the frequency register is added to the accumulator every clock cycle,  $f_{DAC}$ . The output frequency of the NCO is

$$f_{NCO} = \frac{freq \times f_{NCO\_CLK}}{2^{32}} \quad (1)$$

With a complex input represented by  $I_{IN}(t)$  and  $Q_{IN}(t)$ , the output of FMIX  $I_{OUT}(t)$  and  $Q_{OUT}(t)$  is

$$\begin{aligned} I_{OUT}(t) &= [I_{IN}(t) \cos(2\pi f_{NCO}t + \delta) - Q_{IN}(t) \sin(2\pi f_{NCO}t + \delta)] \times 2^{(mixer\_gain - 1)} \\ Q_{OUT}(t) &= [I_{IN}(t) \sin(2\pi f_{NCO}t + \delta) + Q_{IN}(t) \cos(2\pi f_{NCO}t + \delta)] \times 2^{(mixer\_gain - 1)} \end{aligned} \quad (2)$$

where  $t$  is the time since the last resetting of the NCO accumulator,  $\delta$  is the phase offset value, and **mixer\_gain** is either 0 or 1.  $\delta$  is given by:

$$\delta = 2\pi \times \text{phase}(15:0)/2^{16} \quad (3)$$

When register **mixer\_gain** is set to 0, the gain through FMIX is  $\sqrt{2}/2$  or  $-3$  dB. This loss in signal power is in most cases undesirable, and it is recommended that the gain function of the QMC block be used to increase the signal by 3 dB to compensate. With **mixer\_gain** = 1, the gain through FMIX is  $\sqrt{2}$  or 3 dB, which can cause clipping of the signal if  $I_{IN}(t)$  and  $Q_{IN}(t)$  are simultaneously near full-scale amplitude and should therefore be used with caution.

There are two methods to change the frequency and phase values in the NCO block.

1. Synchronous updating: To update the NCO frequency and phase using the SYNC\_SLEEP pin, **sync\_sleep\_txenable\_sel** in the CONFIG3 register must be set to 10 and **nco\_sync\_sleep** in the CONFIG22 register must be set to 11110000 should be written to the CONFIG22 register. With these settings, the frequency and phase register values only update the NCO frequency and phase values the pin SYNC\_SLEEP is raised, which allows precise control of when the frequency is updated. The accumulator is not reset. There is a six-clock cycle latency from the time when the sync is clocked into the part until the new frequency value is used in the calculation of the accumulator.
2. Non-synchronous updating: If the **nco\_sync\_sleep** register in CONFIG22 is set to 00000000, the frequency register value updates the NCO frequency value when the lowest register bits **freq(7:0)** in CONFIG16 are written. To assure updating with a complete frequency value, register bits **freq(32:8)** in CONFIG17, CONFIG18, and CONFIG19 should be written before CONFIG16. Likewise, the phase register value updates the NCO phase value when the lowest register bits **phase(7:0)** in CONFIG20 are written. To assure updating with a complete phase value, register bits **phase(15:8)** in CONFIG21 should be written before CONFIG20.

## ANALOG OUTPUT MODE

The AFE7070 has two output modes. The analog output mode includes an RF buffer amplifier and covers the full frequency range of output frequency listed in the AC Electrical Characteristics table. The RF output should be AC coupled and is intended to drive a 50-Ω load.

## LVDS OUTPUT MODE

The AFE7070 provides an output mode where the modulator output is converted from an analog signal by a comparator to a digital LVDS output signal. The RF output frequency in the LVDS output mode is limited to frequencies below the specification listed in the AC Electrical Characteristics table.

The output includes options for frequency division of  $\div 1$ ,  $\div 2$  and  $\div 4$  (Figure 46), set in register `lvds_clk_div` in CONFIG1.

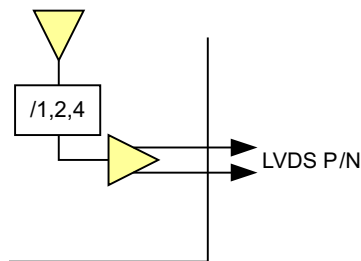


Figure 46. LVDS Output Option

## CMOS DIGITAL INPUTS

Figure 47 through Figure 50 show schematics of the equivalent CMOS digital inputs and outputs of the AFE7070. All the CMOS digital inputs and outputs are relative to the IOVDD supply, which can vary from 1.8 V to 3.3 V. This facilitates the I/O interface and eliminates the need of level translation. See the specification table for logic thresholds. The pullup and pulldown circuitry is approximately equivalent to 100 kΩ.

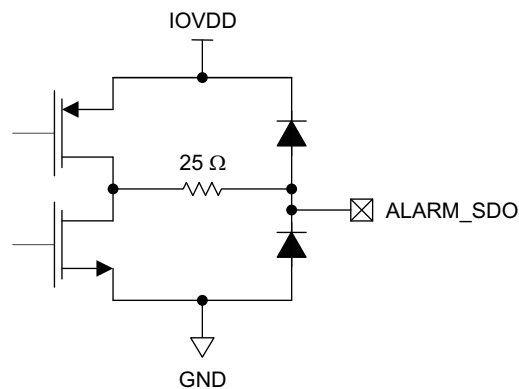


Figure 47. CMOS Digital Equivalent Circuit for ALARM\_SDO Output

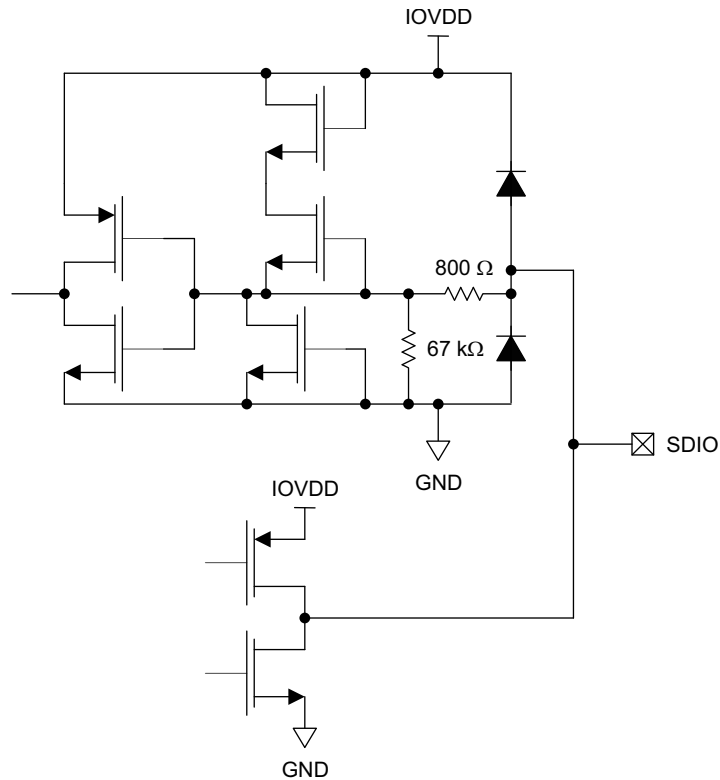


Figure 48. CMOS Digital Equivalent Circuit for SDIO Bidirectional Input/Output

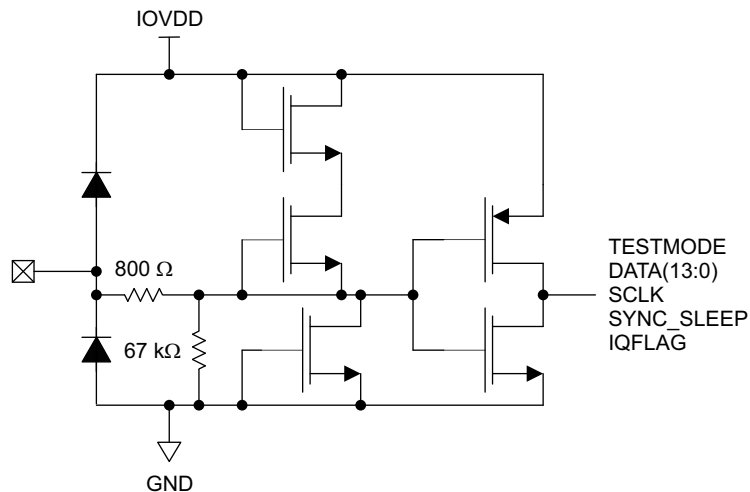


Figure 49. CMOS Digital Equivalent Circuit for TESTMODE, DATA, SCLK, SYNC\_SLEEP and IQFLAG Inputs

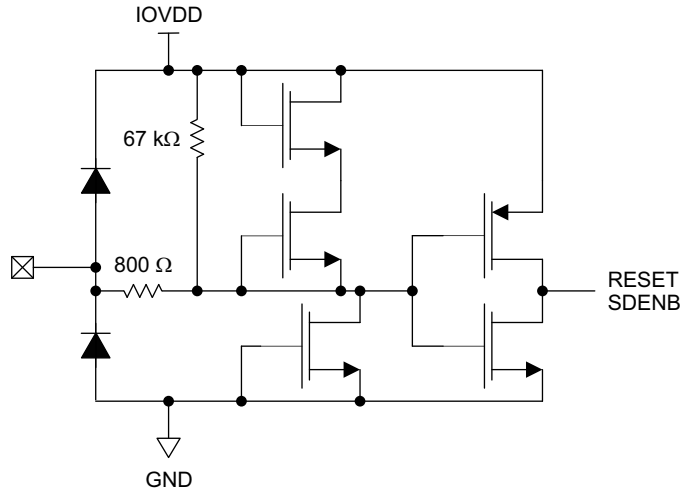


Figure 50. CMOS Digital Equivalent Circuit for RESET and SDENB Inputs

### REVISION HISTORY

Changes from Original (February 2012) to Revision A	Page
• Changed the TYPICAL PERFORMANCE PLOTS of the Product Preview data sheet .....	9
• Changed the SERIAL INTERFACE of the Product Preview data sheet .....	16
Changes from Revision A (July 2012) to Revision B	Page
• Changed the device status From: Product Preview To: Production .....	1
Changes from Revision B (August 2012) to Revision C	Page
• Added AFE7070IRGZ25 to AVAILABLE OPTIONS .....	1
Changes from Revision B (October 2012) to Revision D	Page
• Changed the TYP value of $f_{LO} = 450$ MHz, Analog Output noise floor From: 156 To: 143 .....	7

**PACKAGING INFORMATION**

Orderable Device	Status (1)	Package Type	Package Drawing	Pins	Package Qty	Eco Plan (2)	Lead/Ball Finish (6)	MSL Peak Temp (3)	Op Temp (°C)	Device Marking (4/5)	Samples
AFE7070IRGZ25	ACTIVE	VQFN	RGZ	48	25	TBD	Call TI	Call TI	-40 to 85	AFE7070I	<a href="#">Samples</a>
AFE7070IRGZR	ACTIVE	VQFN	RGZ	48	2500	Green (RoHS & no Sb/Br)	CU NIPDAU	Level-3-260C-168 HR	-40 to 85	AFE7070I	<a href="#">Samples</a>
AFE7070IRGZT	ACTIVE	VQFN	RGZ	48	250	Green (RoHS & no Sb/Br)	CU NIPDAU	Level-3-260C-168 HR	-40 to 85	AFE7070I	<a href="#">Samples</a>

(1) The marketing status values are defined as follows:

**ACTIVE:** Product device recommended for new designs.

**LIFEBUY:** TI has announced that the device will be discontinued, and a lifetime-buy period is in effect.

**NRND:** Not recommended for new designs. Device is in production to support existing customers, but TI does not recommend using this part in a new design.

**PREVIEW:** Device has been announced but is not in production. Samples may or may not be available.

**OBSELETE:** TI has discontinued the production of the device.

(2) Eco Plan - The planned eco-friendly classification: Pb-Free (RoHS), Pb-Free (RoHS Exempt), or Green (RoHS & no Sb/Br) - please check <http://www.ti.com/productcontent> for the latest availability information and additional product content details.

**TBD:** The Pb-Free/Green conversion plan has not been defined.

**Pb-Free (RoHS):** TI's terms "Lead-Free" or "Pb-Free" mean semiconductor products that are compatible with the current RoHS requirements for all 6 substances, including the requirement that lead not exceed 0.1% by weight in homogeneous materials. Where designed to be soldered at high temperatures, TI Pb-Free products are suitable for use in specified lead-free processes.

**Pb-Free (RoHS Exempt):** This component has a RoHS exemption for either 1) lead-based flip-chip solder bumps used between the die and package, or 2) lead-based die adhesive used between the die and leadframe. The component is otherwise considered Pb-Free (RoHS compatible) as defined above.

**Green (RoHS & no Sb/Br):** TI defines "Green" to mean Pb-Free (RoHS compatible), and free of Bromine (Br) and Antimony (Sb) based flame retardants (Br or Sb do not exceed 0.1% by weight in homogeneous material)

(3) MSL, Peak Temp. - The Moisture Sensitivity Level rating according to the JEDEC industry standard classifications, and peak solder temperature.

(4) There may be additional marking, which relates to the logo, the lot trace code information, or the environmental category on the device.

(5) Multiple Device Markings will be inside parentheses. Only one Device Marking contained in parentheses and separated by a "~" will appear on a device. If a line is indented then it is a continuation of the previous line and the two combined represent the entire Device Marking for that device.

(6) Lead/Ball Finish - Orderable Devices may have multiple material finish options. Finish options are separated by a vertical ruled line. Lead/Ball Finish values may wrap to two lines if the finish value exceeds the maximum column width.

**Important Information and Disclaimer:** The information provided on this page represents TI's knowledge and belief as of the date that it is provided. TI bases its knowledge and belief on information provided by third parties, and makes no representation or warranty as to the accuracy of such information. Efforts are underway to better integrate information from third parties. TI has taken and

continues to take reasonable steps to provide representative and accurate information but may not have conducted destructive testing or chemical analysis on incoming materials and chemicals. TI and TI suppliers consider certain information to be proprietary, and thus CAS numbers and other limited information may not be available for release.

In no event shall TI's liability arising out of such information exceed the total purchase price of the TI part(s) at issue in this document sold by TI to Customer on an annual basis.

**TAPE AND REEL INFORMATION**

**QUADRANT ASSIGNMENTS FOR PIN 1 ORIENTATION IN TAPE**


\*All dimensions are nominal

Device	Package Type	Package Drawing	Pins	SPQ	Reel Diameter (mm)	Reel Width W1 (mm)	A0 (mm)	B0 (mm)	K0 (mm)	P1 (mm)	W (mm)	Pin1 Quadrant
AFE7070IRGZR	VQFN	RGZ	48	2500	330.0	16.4	7.3	7.3	1.5	12.0	16.0	Q2
AFE7070IRGZT	VQFN	RGZ	48	250	180.0	16.4	7.3	7.3	1.5	12.0	16.0	Q2

**TAPE AND REEL BOX DIMENSIONS**

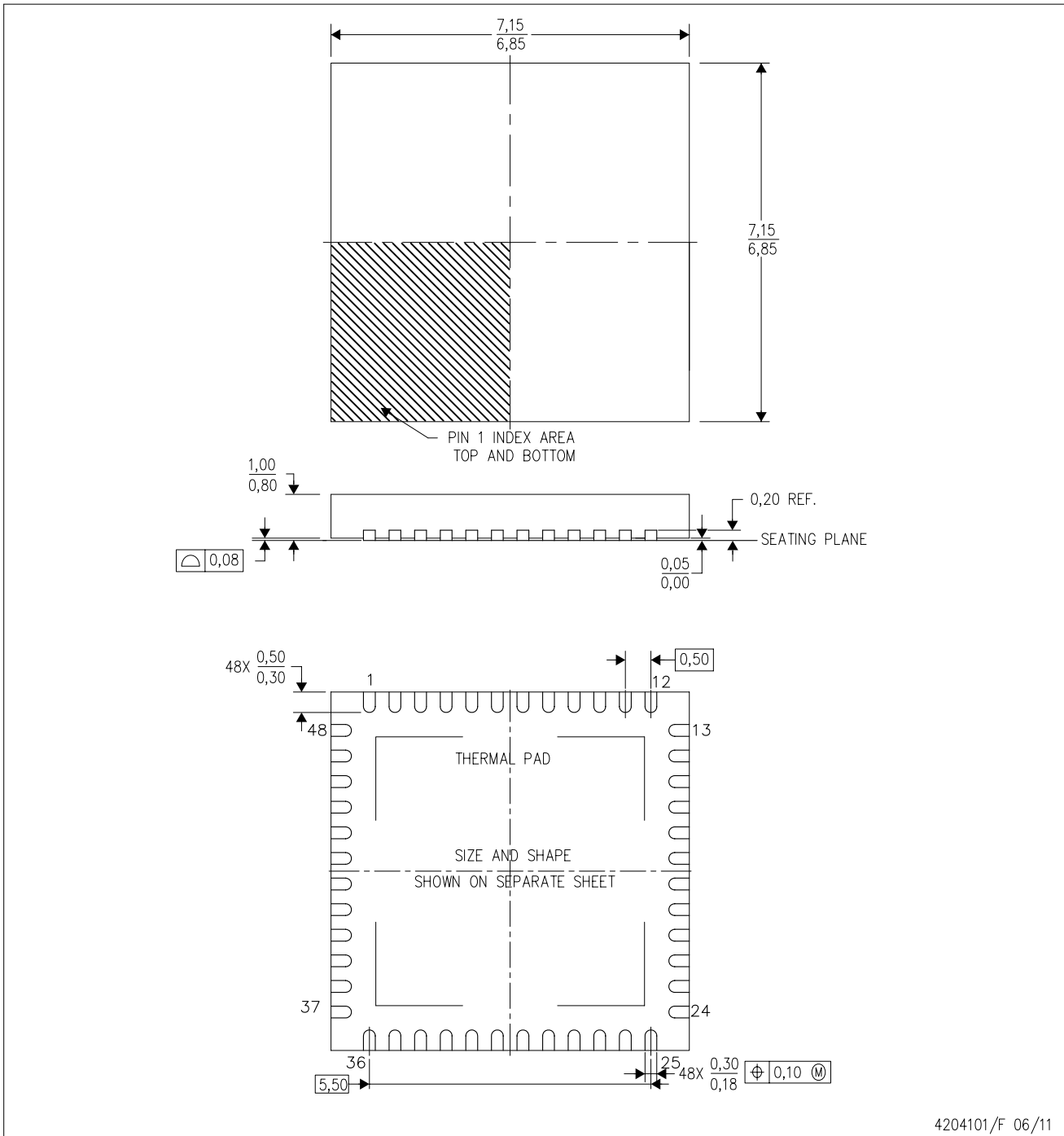

\*All dimensions are nominal

Device	Package Type	Package Drawing	Pins	SPQ	Length (mm)	Width (mm)	Height (mm)
AFE7070IRGZR	VQFN	RGZ	48	2500	336.6	336.6	28.6
AFE7070IRGZT	VQFN	RGZ	48	250	213.0	191.0	55.0



RGZ (S-PVQFN-N48)

PLASTIC QUAD FLATPACK NO-LEAD



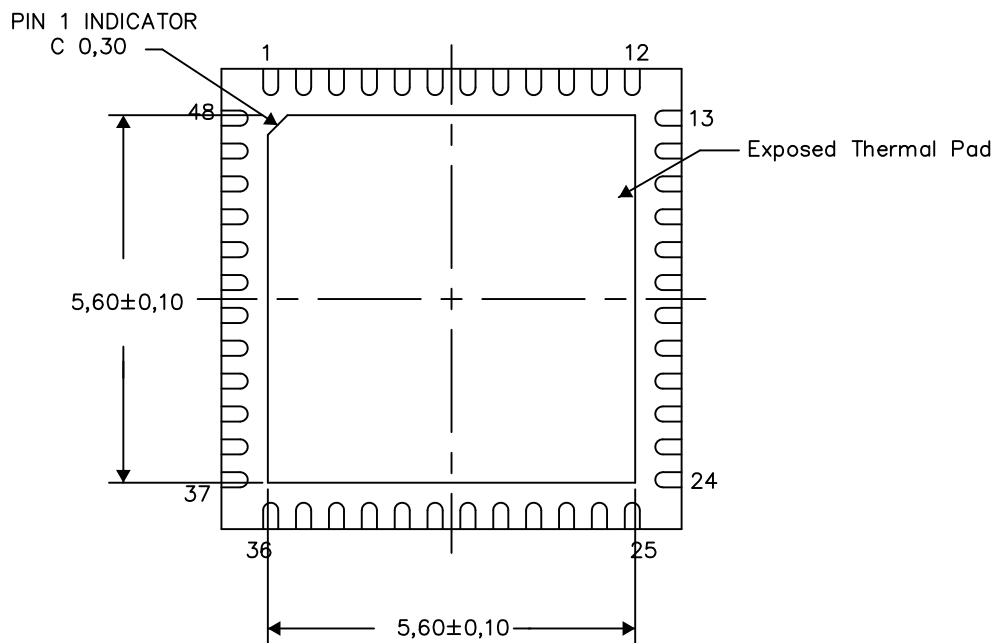
- NOTES:
- A. All linear dimensions are in millimeters. Dimensioning and tolerancing per ASME Y14.5M-1994.
  - B. This drawing is subject to change without notice.
  - C. Quad Flatpack, No-leads (QFN) package configuration.
  - D. The package thermal pad must be soldered to the board for thermal and mechanical performance.
  - E. See the additional figure in the Product Data Sheet for details regarding the exposed thermal pad features and dimensions.
  - F. Falls within JEDEC MO-220.

THEMAL INFORMATION

This package incorporates an exposed thermal pad that is designed to be attached directly to an external heatsink. The thermal pad must be soldered directly to the printed circuit board (PCB). After soldering, the PCB can be used as a heatsink. In addition, through the use of thermal vias, the thermal pad can be attached directly to the appropriate copper plane shown in the electrical schematic for the device, or alternatively, can be attached to a special heatsink structure designed into the PCB. This design optimizes the heat transfer from the integrated circuit (IC).

For information on the Quad Flatpack No-Lead (QFN) package and its advantages, refer to Application Report, QFN/SON PCB Attachment, Texas Instruments Literature No. SLUA271. This document is available at [www.ti.com](http://www.ti.com).

The exposed thermal pad dimensions for this package are shown in the following illustration.



Bottom View

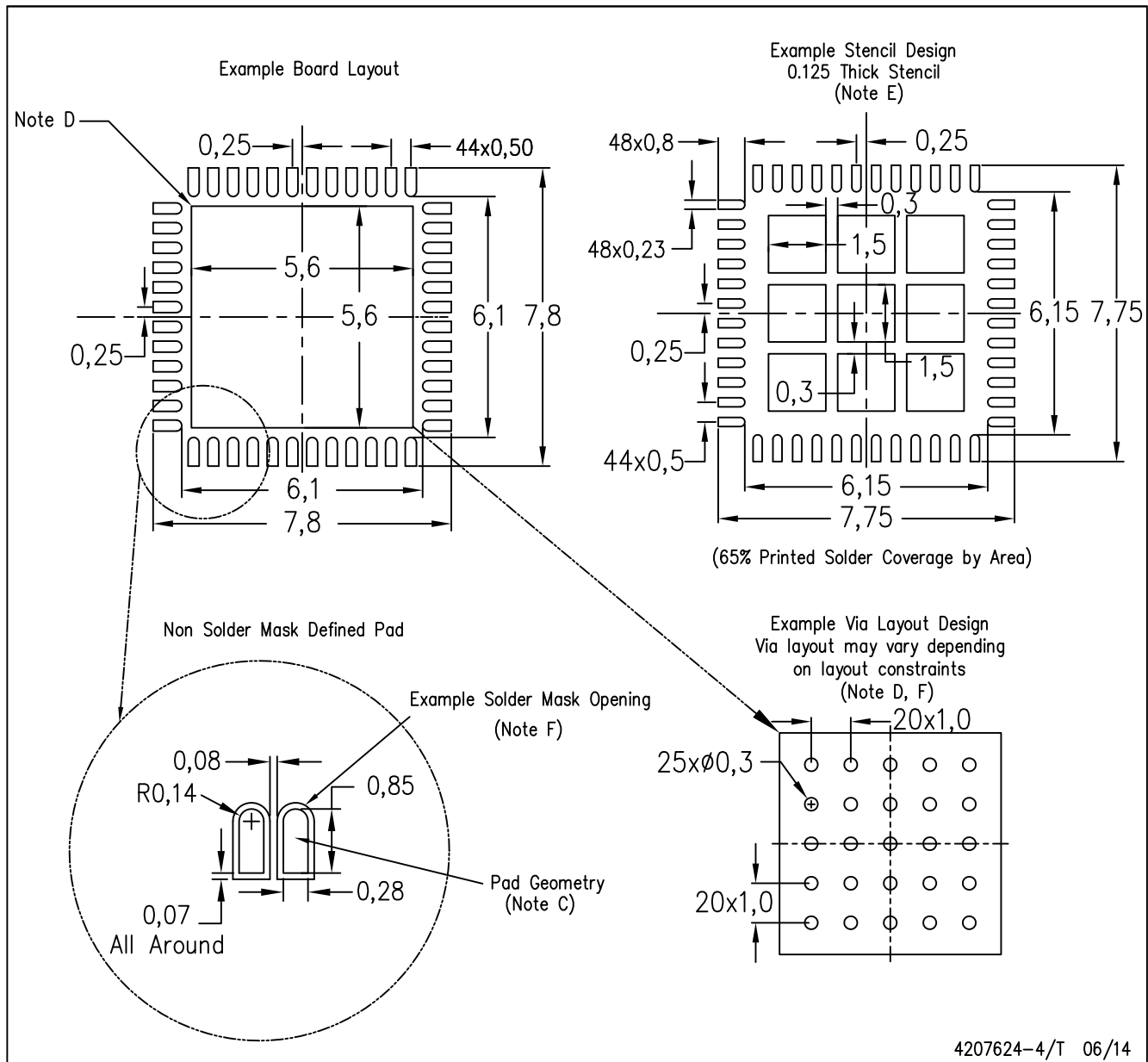
Exposed Thermal Pad Dimensions

4206354-5/Y 06/14

NOTE: All linear dimensions are in millimeters

RGZ (S-PVQFN-N48)

PLASTIC QUAD FLATPACK NO-LEAD



- NOTES:
- All linear dimensions are in millimeters.
  - This drawing is subject to change without notice.
  - Publication IPC-7351 is recommended for alternate designs.
  - This package is designed to be soldered to a thermal pad on the board. Refer to Application Note, Quad Flat-Pack Packages, Texas Instruments Literature No. SLUA271, and also the Product Data Sheets for specific thermal information, via requirements, and recommended board layout. These documents are available at [www.ti.com](http://www.ti.com) <<http://www.ti.com>>.
  - Laser cutting apertures with trapezoidal walls and also rounding corners will offer better paste release. Customers should contact their board assembly site for stencil design recommendations. Refer to IPC 7525 for stencil design considerations.
  - Customers should contact their board fabrication site for recommended solder mask tolerances and via tenting recommendations for vias placed in the thermal pad.

## IMPORTANT NOTICE

Texas Instruments Incorporated and its subsidiaries (TI) reserve the right to make corrections, enhancements, improvements and other changes to its semiconductor products and services per JESD46, latest issue, and to discontinue any product or service per JESD48, latest issue. Buyers should obtain the latest relevant information before placing orders and should verify that such information is current and complete. All semiconductor products (also referred to herein as "components") are sold subject to TI's terms and conditions of sale supplied at the time of order acknowledgment.

TI warrants performance of its components to the specifications applicable at the time of sale, in accordance with the warranty in TI's terms and conditions of sale of semiconductor products. Testing and other quality control techniques are used to the extent TI deems necessary to support this warranty. Except where mandated by applicable law, testing of all parameters of each component is not necessarily performed.

TI assumes no liability for applications assistance or the design of Buyers' products. Buyers are responsible for their products and applications using TI components. To minimize the risks associated with Buyers' products and applications, Buyers should provide adequate design and operating safeguards.

TI does not warrant or represent that any license, either express or implied, is granted under any patent right, copyright, mask work right, or other intellectual property right relating to any combination, machine, or process in which TI components or services are used. Information published by TI regarding third-party products or services does not constitute a license to use such products or services or a warranty or endorsement thereof. Use of such information may require a license from a third party under the patents or other intellectual property of the third party, or a license from TI under the patents or other intellectual property of TI.

Reproduction of significant portions of TI information in TI data books or data sheets is permissible only if reproduction is without alteration and is accompanied by all associated warranties, conditions, limitations, and notices. TI is not responsible or liable for such altered documentation. Information of third parties may be subject to additional restrictions.

Resale of TI components or services with statements different from or beyond the parameters stated by TI for that component or service voids all express and any implied warranties for the associated TI component or service and is an unfair and deceptive business practice. TI is not responsible or liable for any such statements.

Buyer acknowledges and agrees that it is solely responsible for compliance with all legal, regulatory and safety-related requirements concerning its products, and any use of TI components in its applications, notwithstanding any applications-related information or support that may be provided by TI. Buyer represents and agrees that it has all the necessary expertise to create and implement safeguards which anticipate dangerous consequences of failures, monitor failures and their consequences, lessen the likelihood of failures that might cause harm and take appropriate remedial actions. Buyer will fully indemnify TI and its representatives against any damages arising out of the use of any TI components in safety-critical applications.

In some cases, TI components may be promoted specifically to facilitate safety-related applications. With such components, TI's goal is to help enable customers to design and create their own end-product solutions that meet applicable functional safety standards and requirements. Nonetheless, such components are subject to these terms.

No TI components are authorized for use in FDA Class III (or similar life-critical medical equipment) unless authorized officers of the parties have executed a special agreement specifically governing such use.

Only those TI components which TI has specifically designated as military grade or "enhanced plastic" are designed and intended for use in military/aerospace applications or environments. Buyer acknowledges and agrees that any military or aerospace use of TI components which have **not** been so designated is solely at the Buyer's risk, and that Buyer is solely responsible for compliance with all legal and regulatory requirements in connection with such use.

TI has specifically designated certain components as meeting ISO/TS16949 requirements, mainly for automotive use. In any case of use of non-designated products, TI will not be responsible for any failure to meet ISO/TS16949.

### Products

Audio	<a href="http://www.ti.com/audio">www.ti.com/audio</a>
Amplifiers	<a href="http://amplifier.ti.com">amplifier.ti.com</a>
Data Converters	<a href="http://dataconverter.ti.com">dataconverter.ti.com</a>
DLP® Products	<a href="http://www.dlp.com">www.dlp.com</a>
DSP	<a href="http://dsp.ti.com">dsp.ti.com</a>
Clocks and Timers	<a href="http://www.ti.com/clocks">www.ti.com/clocks</a>
Interface	<a href="http://interface.ti.com">interface.ti.com</a>
Logic	<a href="http://logic.ti.com">logic.ti.com</a>
Power Mgmt	<a href="http://power.ti.com">power.ti.com</a>
Microcontrollers	<a href="http://microcontroller.ti.com">microcontroller.ti.com</a>
RFID	<a href="http://www.ti-rfid.com">www.ti-rfid.com</a>
OMAP Applications Processors	<a href="http://www.ti.com/omap">www.ti.com/omap</a>
Wireless Connectivity	<a href="http://www.ti.com/wirelessconnectivity">www.ti.com/wirelessconnectivity</a>

### Applications

Automotive and Transportation	<a href="http://www.ti.com/automotive">www.ti.com/automotive</a>
Communications and Telecom	<a href="http://www.ti.com/communications">www.ti.com/communications</a>
Computers and Peripherals	<a href="http://www.ti.com/computers">www.ti.com/computers</a>
Consumer Electronics	<a href="http://www.ti.com/consumer-apps">www.ti.com/consumer-apps</a>
Energy and Lighting	<a href="http://www.ti.com/energy">www.ti.com/energy</a>
Industrial	<a href="http://www.ti.com/industrial">www.ti.com/industrial</a>
Medical	<a href="http://www.ti.com/medical">www.ti.com/medical</a>
Security	<a href="http://www.ti.com/security">www.ti.com/security</a>
Space, Avionics and Defense	<a href="http://www.ti.com/space-avionics-defense">www.ti.com/space-avionics-defense</a>
Video and Imaging	<a href="http://www.ti.com/video">www.ti.com/video</a>

### TI E2E Community

[e2e.ti.com](http://e2e.ti.com)