

DPP480 Series

480W Single Output DIN Rail Mount Power Supplies



RoHS

- ◆ Low Cost
- ◆ 24V or 48V Outputs
- ◆ Wide Range AC Input (single & three phase*)
- ◆ Active PFC
- ◆ Parallel Function Switch
- ◆ -25 to +71°C Operation
- ◆ Convection Cooled

Specifications		MODELS	DPP480-xx-1	DPP480-xx-3* Available June 2009
ITEMS				
AC Input Voltage range	VAC		90 - 264VAC, single phase	340 - 575VAC, three phase(1)
Input Frequency	Hz		47 - 63Hz	
DC Input Voltage range	VDC		120 - 370VDC	480 - 820VDC
Inrush Current	A		25 / 50A (115 / 230VAC)	15A (typical)
Power Factor	-		Meets EN61000-3-2 Class A	0.7 at 500VAC
Input Current	A		6.9 / 3.3A (115 / 230VAC)	1.4 / 1.0A (380 / 500VAC)
Output Voltage Accuracy	%		-0, +1% of Nominal	
Line Regulation	%		±0.5%	±1%
Load Regulation	%		±1% (±5% when set in parallel mode)	
Ripple and Noise (20MHz BW)	mV		100mV	
Overcurrent Protection (Typ)	-		110 - 140%	115 - 135% Selectable - hiccup or continuous
Overvoltage Protection	V		See model selector	
Overtemperature Protection	-		-	Yes, auto recovery
Hold Up Time (115VAC input)	ms		> 35ms	20ms
Parallel operation	-		Set in parallel (droop) mode - maximum of 3 DPP480-xx-1 or 2 DPP480-xx-3 units	
LED Indicators	-		Green LED = On, Red LED = DC Output Low	
DC Good Relay (24V model only)	-		0.3A rated normally open relay contacts, closes when output is above 17.6 - 19.4V	
Operating Temperature	°C		-25 to +71°C (Derate linearly 2.5%/°C from 56 to 71°C)	-25 to +71°C (Derate linearly 2.5%/°C from 61 to 71°C)
Storage Temperature	°C		-25 to +85°C	
Operating Humidity	-		20 - 95% RH (non condensing)	
Cooling (1)	-		Convection	
Withstand Voltage	-		Input to Output 3kVAC for 1 min.	
Isolation Resistance	-		>100M at 25°C & 70%RH, Output to Ground 500VDC	
Safety Agency Approvals	-		UL508 Listed, UL60950-1, EN60950-1, CE	
Conducted & Radiated EMI	-		EN55022 class B	EN55022 class A
Weight (Typ)	g		1800g	1750g
Size (WxHxD)(2)	In		6.89 x 4.92 x 4.57	5.91 x 4.87 x 4.38"
Case material	-		Metal	
Warranty	yrs		Two years	

(1) Under a dropped phase condition, output power is derated to 75% load

(2) Recommend 1" clearance on all sides

* Available June 2009

DPP480 Series

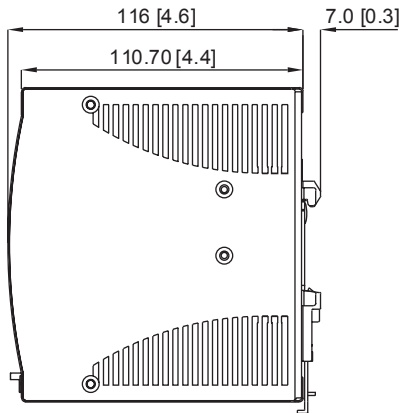
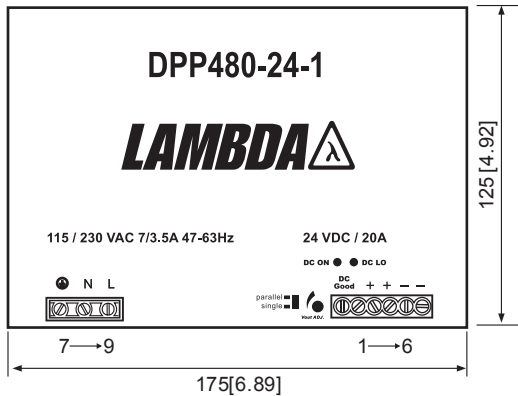
Model Selector

Model	Voltage	Adjust. Range	Output Current	Over-voltage	Eff.
DPP480-24-1	24V	22.5 - 28.5V	20A	30 - 33V	89%
DPP480-48-1	48V	47 - 56V	10A	57 - 63V	90%
DPP480-24-3*	24V	22.5 - 28.5V	20A	30 - 33V	90%
DPP480-48-3*	48V	47 - 56V	10A	60 - 68V	91%

* Available Dec 2008

Outline Drawing (DPP480-24-1)

mm [inch]



Accepts TS35/7.5 or TS35/15 DIN Rails

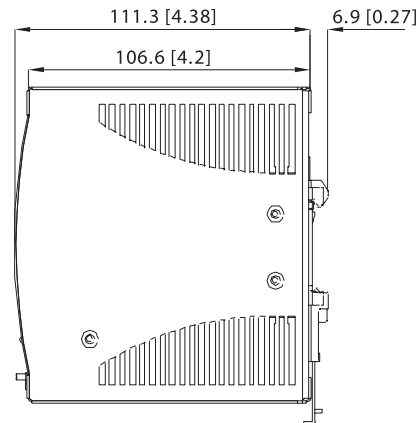
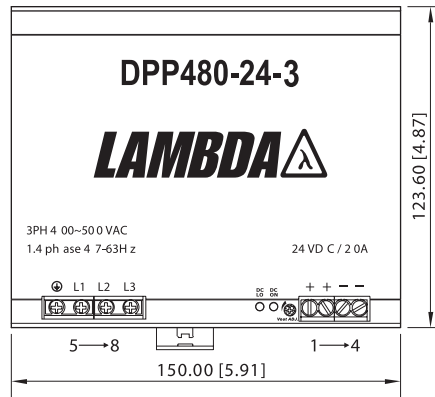
Other Lambda DIN Rail Products

DPP/DSP	10W to 100W, 5V to 48V power supplies
DLP	75W to 240W power supplies
DLP-PU	Redundancy Module (20A)
MC/MZ/MA/MX	6A to 30A single & three phase EMI Filters

For Additional Information, please visit us.tdk-lambda.com/lp/products/dpp-series.htm

Outline Drawing (DPP480-24-3)

mm [inch]



Terminal Assignments

#	DPP480-xx-1	DPP480-xx-3
1	DC Good relay	+V
2	DC Good relay	+V
3	+V	-V
4	+V	-V
5	-V	Chassis ground
6	-V	L1
7	Chassis ground	L2
8	N	L3
9	L	DC Good relay
10	No connection	DC Good relay

Snap-on Mounting: snap onto DIN Rail TS35/7.5 or TS35/15. (no tools required)

Options

Suffix	Description
Blank	Non detachable connectors
B	Detachable input and output connectors