

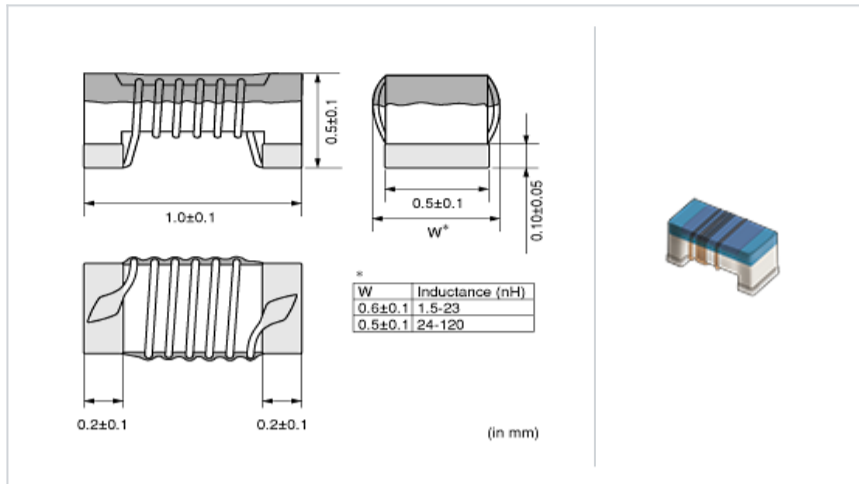
LQW15AN91NG00#

" # " indicates a package specification code.

Available **General** 125°C Wound (No Shield) Thickness 0.6mm max. Tight Tolerance Reflow OK RoHS

< List of part numbers with package codes >
LQW15AN91NG00D , LQW15AN91NG00B

Shape



L size	1.0 ± 0.1 mm
W size	0.5 ± 0.1 mm
T size	0.5 ± 0.1 mm
Size code in inch (mm)	0402 (1005)

Specifications

Inductance	91nH \pm 2%
Inductance test frequency	100MHz
Rated current (Itemp) (Based on Temperature rise)	125mA
Max. of DC resistance	2.38
Q (min.)	20
Q test frequency	150MHz
Self resonance frequency (min.)	2.1GHz
Operating temperature range (Self-temperature rise is not included)	-55 ~ 125

References

Packaging code	Specifications	Minimum quantity
D	180mm Paper taping	10000
B	Packing in bulk	500

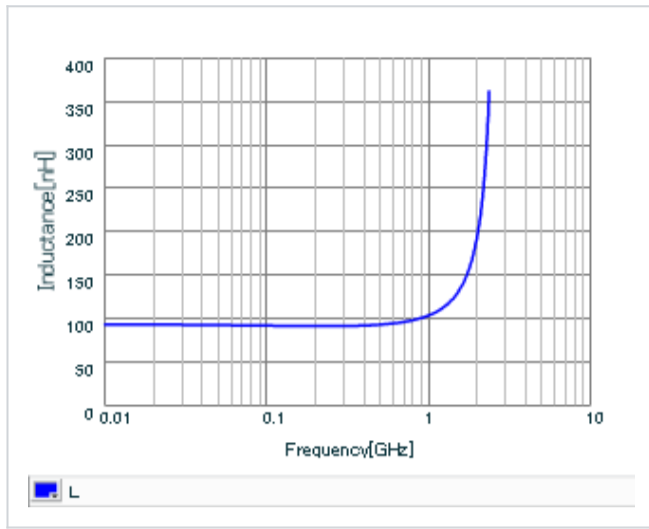
Mass (Typ.)	
1 piece	0.0008g

Attention

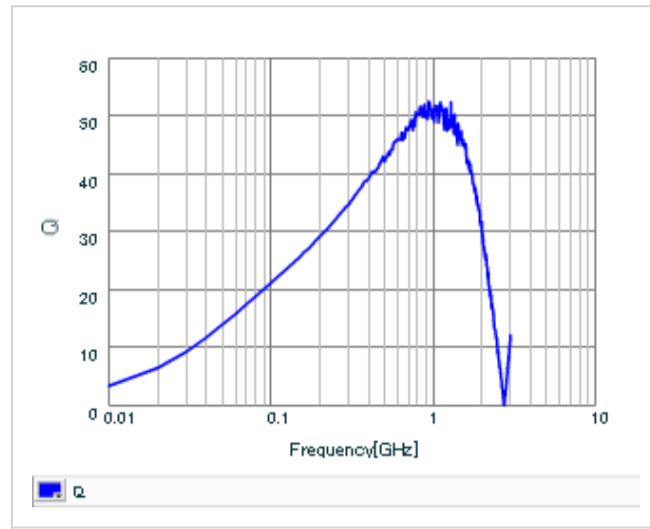
- This datasheet is downloaded from the website of Murata Manufacturing Co., Ltd. Therefore, it's specifications are subject to change or our products in it may be discontinued without advance notice. Please check with our sales representatives or product engineers before ordering.
- This datasheet has only typical specifications because there is no space for detailed specifications. Therefore, please review our product specifications or consult the approval sheet for product specifications before ordering.

Chart of characteristic data (The charts below may show another part number which shares its characteristics.)

▪ Inductance-Frequency characteristics (Typ.)



▪ Q-Frequency characteristics (Typ.)



2 of 2

This PDF data has only typical specifications because there is no space for detailed specifications.

Therefore, please review our product specifications or consult the approval sheet for product specifications before ordering.

muRata Murata Manufacturing Co., Ltd.

Last updated: 2015/02/17