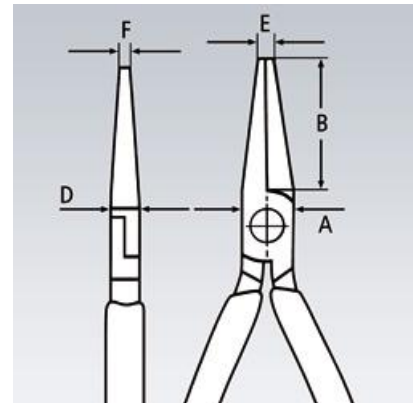




### 34 22 130 ESD Precision Electronics Gripping Pliers ESD



- for very precise assembly work, e.g. in electronics and fine mechanics
- for gripping, holding and bending
- electrically discharging handles - dissipative
- smoothly ground gripping surfaces, edges finely rounded
- approx. 20 % lighter than conventional electronics pliers
- bolted joint and carefully manufactured joint surfaces for even, low-friction movement throughout the entire opening range
- smooth-running double spring for a gentle and even opening
- ergonomically optimised multi- component handles
- forged from chrome vanadium ball-bearing steel



<b>No.</b>	34 22 130 ESD	
	<b>EAN</b>	4003773061656
	<b>Pliers</b>	burnished
	<b>Head</b>	polished
	<b>Handles</b>	with multi-component grips
	<b>Style</b>	2
	<b>A</b>	11,2 mm
	<b>B</b>	22,7 mm
	<b>D</b>	6,5 mm
	<b>E</b>	1,6 mm
	<b>F</b>	1,6 mm
	<b>Length</b>	135 mm
	<b>Net weight</b>	65 g

