

### Stacked Coin Type

Series: **SG**



#### ■ Features

- Endurance : 70 °C 1000 h
- -40 °C guarantee
- Maximum height of 6.5 mm (H Terminal)
- RoHS directive compliant

#### ■ Recommended Applications

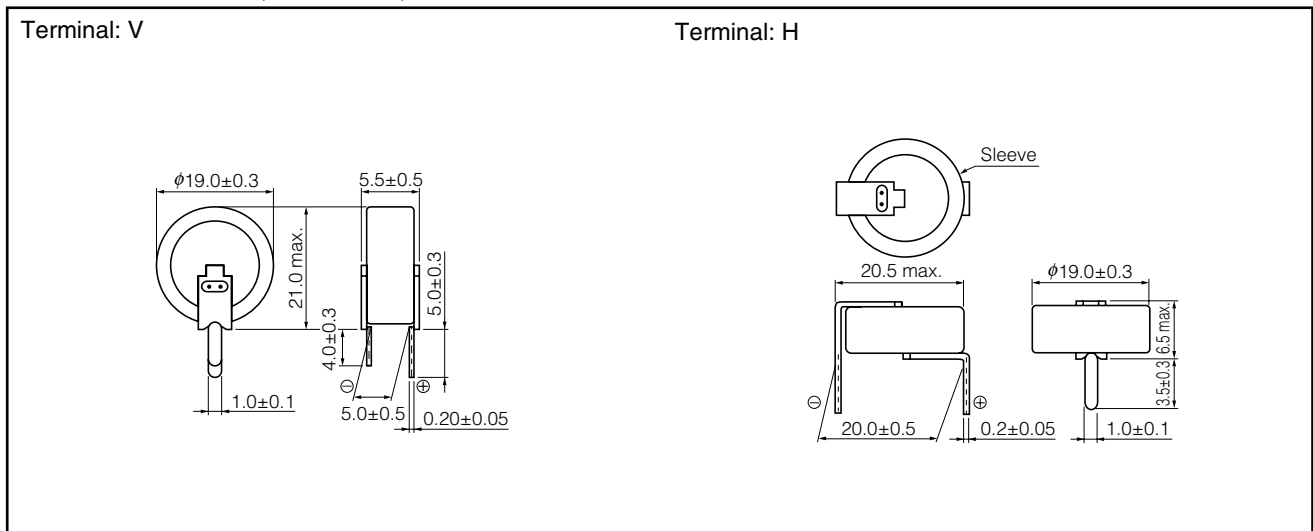
- Memory back-up for video and audio equipment, cameras, telephones, printers, data terminals, rice cookers and intelligent remote controls

#### ■ Specifications

Category Temp. Range	-40 °C to +70 °C	
Maximum Operating Voltage	5.5 V.DC	
Nominal Cap.Range	0.47 F to 1.5 F	
Characteristics at Low Temperature	Capacitance change	±30 % of initial measured value at +20 °C (at -40 °C)
	Internal resistance	≤7 times of initial measured value at +20 °C (at -40 °C)
Endurance	After 1000 hours application of 5.5 V. DC at +70 °C, the capacitor shall meet the following limits.	
	Capacitance change	±30 % of initial measured value
	Internal resistance	≤4 times of initial specified value
Shelf Life	After 1000 hours storage at +70°C without load, the capacitor shall meet the specified limits for Endurance.	

#### ■ Dimensions in mm(not to scale)

(Unit : mm)



#### ■ Standard Products

Maximum Operating Voltage (V.DC)	Capacitance (F)	Capacitance tolerance (F)	Internal resistance (Initial specified value) (Ω) at 1kHz	Recommended discharge current (mA)	Part number	Mass (Reference value) (g)	Min. Packaging Q'ty (pcs)
5.5	0.47	0.376 to 1.41	≤ 30	1 or less	EECS5R5( )474N	4.1	100
	1.0	0.80 to 1.80	≤ 30	1 or less	EECS5R5( )105N	4.1	100
	1.5	1.20 to 2.70	≤ 30	1 or less	EECS5R5( )155N	4.2	100

( ) Please use V or H, to indicate the terminal style.

Note : Do not use reflow soldering. (IR, Atmosphere heating methods, etc.)

Please refer to the page of "Application Guidelines".

Design and specifications are each subject to change without notice. Ask factory for the current technical specifications before purchase and/or use. Should a safety concern arise regarding this product, please be sure to contact us immediately.