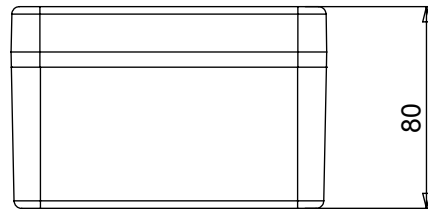
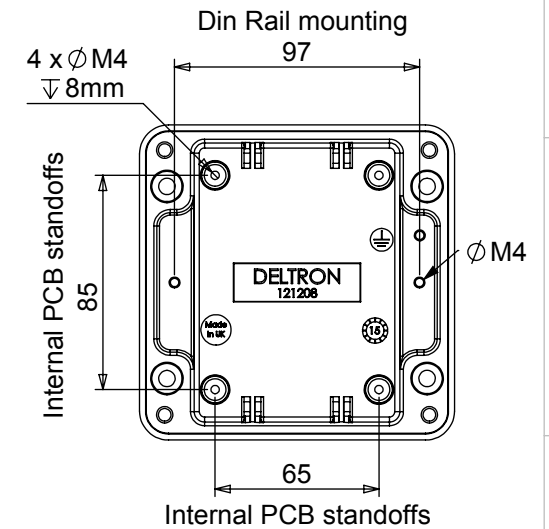
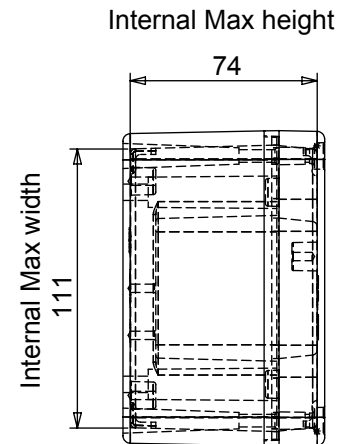
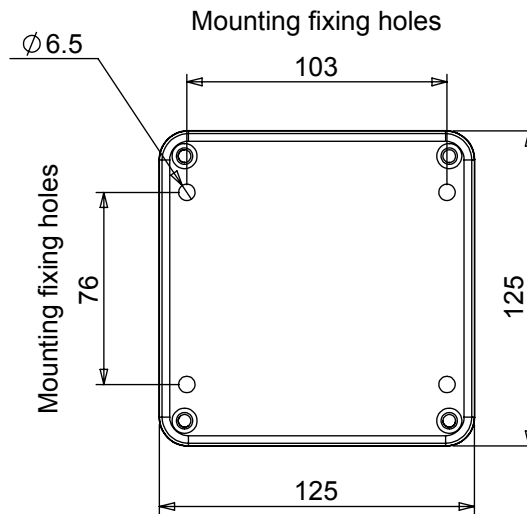
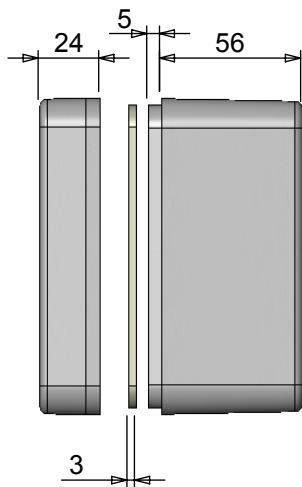


Length	Width	Height	Un-Painted	Powder Coat	Nylon Coat
125	125	80	486-121208-66	487-121208*-66	488-121208*-66
Box Dimensions in mm			Colour Option - Colour suffix * - Grey= A / Blue= B / Black= E		



Die cast aluminium enclosure sealed to  
BS EN 60529:1992 IP66, IP67

- 3mm One piece Die cut Silicone Rubber Sponge 01-255FR Seal
- Seal has Self Adhesive Backing. 01-255SAB Suitable for -60 °c to 240 °c.
- Min seal thickness 3.0mm - min seal frame width 3.5mm
- Min enclosure wall thickness 3mm
- Min enclosure lid thickness 3mm
- PCB maximum dimensions 111mm length 1.7mm width
- Enclosures can be supplied Machined to your specifications
- Made in the UK



Tel No. +44(0)1724 273200 Website www.dem-uk.com



PROPRIETARY AND CONFIDENTIAL  
THE INFORMATION CONTAINED IN THIS DRAWING IS THE SOLE PROPERTY OF  
ALPHA 3 MANUFACTURING.  
ANY REPRODUCTION IN PART OR AS A WHOLE WITHOUT THE WRITTEN PERMISSION OF  
ALPHA 3 MANUFACTURING IS PROHIBITED.

DEM Manufacturing, Deltron Emcon House  
Hargreaves Way, Sawcliffe Ind. Park,  
Scunthorpe, North Lincolnshire, DN15 8RF, UK

UNLESS OTHERWISE SPECIFIED:  
DIMENSIONS ARE IN MILLIMETRES.  
TOLERANCE:  
**NO DECIMAL PLACES ±0.2mm**  
**1 DECIMAL PLACE ±0.1mm**  
**2 DECIMAL PLACES ±0.05mm**  
**ANGULAR TOLERANCE: ±1°**

FINISH -  
See paint code for colour

DEBURR AND BREAK  
SHARP EDGES

DRAWN BY  
APPROVED BY

SPB  
WC

TITLE  
Heavy Duty  
Die-Cast Enclosure  
IP66

IF IN DOUBT ASK  
DO NOT SCALE DRAWING

MATERIAL LM24/LM2

THIRD ANGLE PROJECTION



SHEET 1 OF 1

SCALE 1:3  
A4

DRAWING NO.  
486-121208-66

ISSUE **04**  
Release