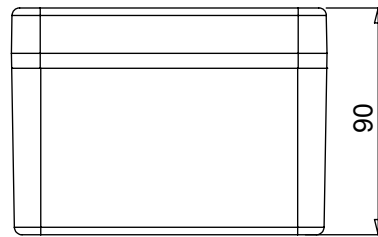
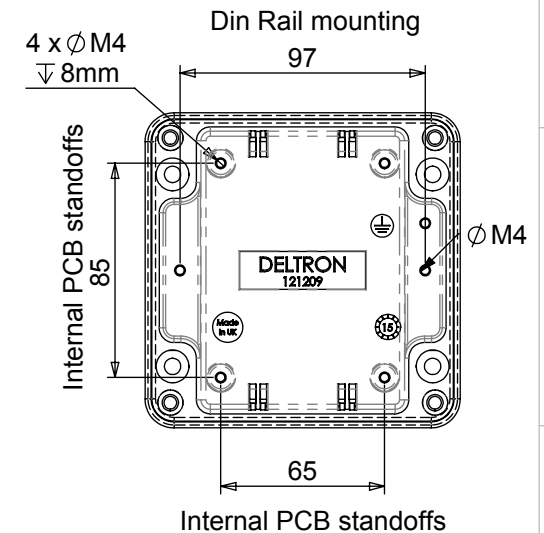
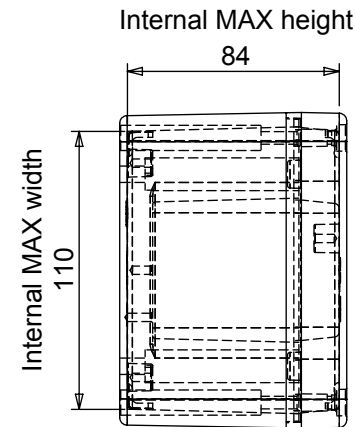
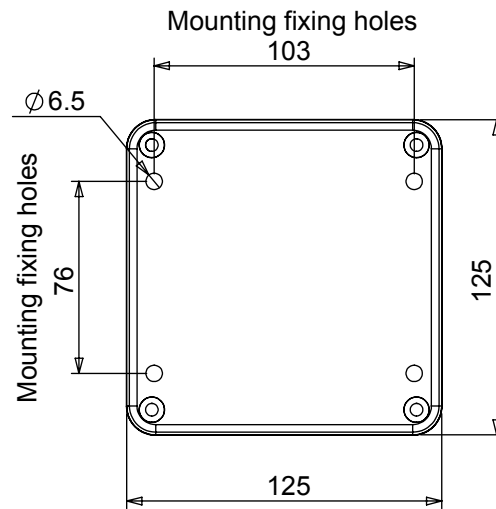
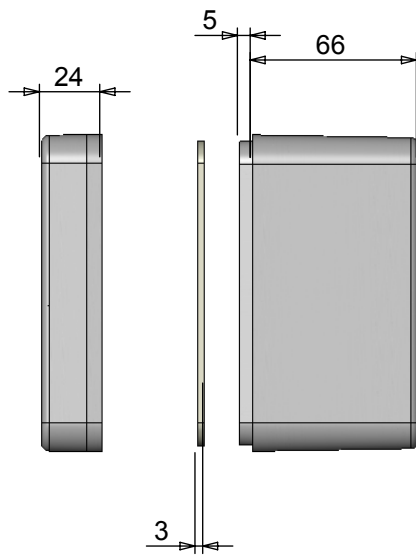


Length	Width	Height	Un-Painted	Powder Coat	Nylon Coat
125	125	90	486-121209-66	487-121209*-66	488-121209*-66
Box Dimensions in mm			Colour Option - Colour suffix * - Grey= A / Blue= B / Black= E		



Die cast aluminium enclosure sealed to
BS EN 60529:1992 IP66, IP67

- 3mm One piece Die cut Silicone Rubber Sponge 01-255FR Seal
- Seal has Self Adhesive Backing. 01-255SAB Suitable for -60 °c to 240 °c.
- Min seal thickness 3.0mm - min seal frame width 3.5mm
- Min enclosure wall thickness 3mm
- Min enclosure lid thickness 3mm
- PCB maximum dimensions 110mm length, 1.7mm width
- Enclosures can be supplied Machined to your specifications
- Made in the UK



Tel No. +44(0)1724 273200 Website www.dem-uk.com



PROPRIETARY AND CONFIDENTIAL
THE INFORMATION CONTAINED IN THIS DRAWING IS THE SOLE PROPERTY OF
ALPHA 3 MANUFACTURING.
ANY REPRODUCTION IN PART OR AS A WHOLE WITHOUT THE WRITTEN PERMISSION OF
ALPHA 3 MANUFACTURING IS PROHIBITED.

DEM Manufacturing, Deltron Emcon House
Hargreaves Way, Sawcliffe Ind. Park,
Scunthorpe, North Lincolnshire, DN15 8RF, UK

UNLESS OTHERWISE SPECIFIED:
DIMENSIONS ARE IN MILLIMETRES.
TOLERANCE:
NO DECIMAL PLACES ±0.2mm
1 DECIMAL PLACE ±0.1mm
2 DECIMAL PLACES ±0.05mm
ANGULAR TOLERANCE: ±1°

FINISH - see paint code for colour

DEBURR AND BREAK SHARP EDGES

DRAWN BY SPB

APPROVED BY WC

TITLE HEAVY DUTY DIE CAST ENCLOSURE IP66

IF IN DOUBT ASK DO NOT SCALE DRAWING

THIRD ANGLE PROJECTION

SHEET 1 OF 1

DRAWING NO. 486-121209-66

MATERIAL LM24 / LM2



SCALE 1:3
A4

ISSUE **04**
Release