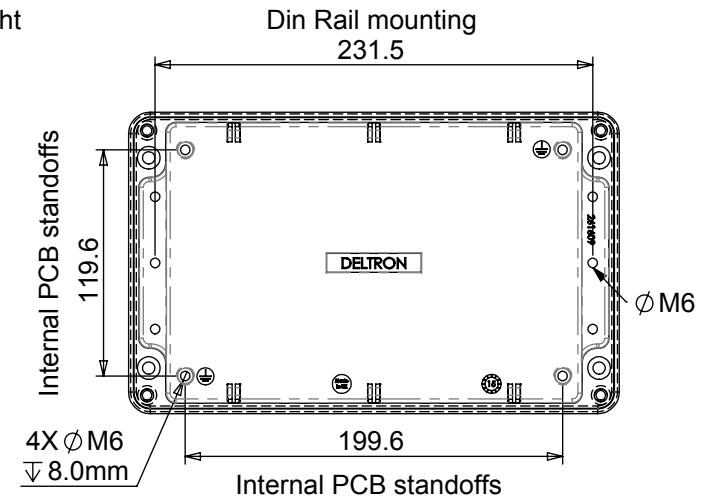
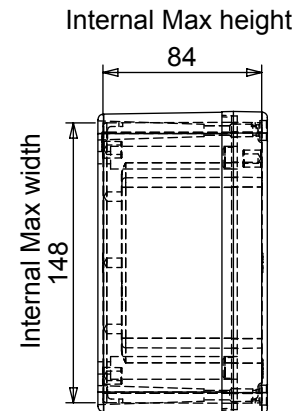
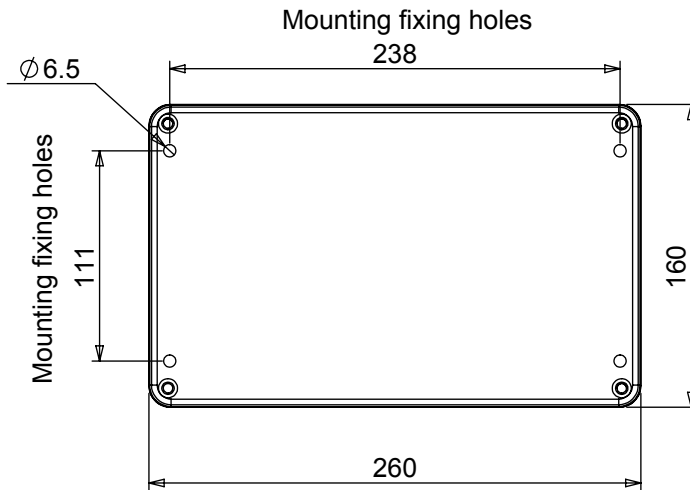
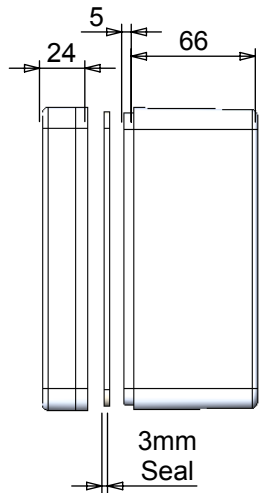
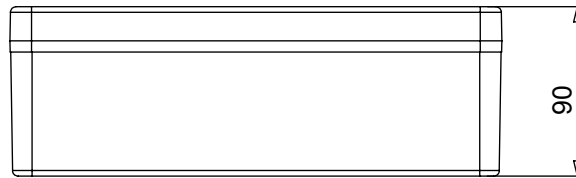


Length	Width	Height	Un-Painted	Powder Coat	Nylon Coat
260	160	90	486-261609-66	487-261609*-66	488-261609*-66
Box Dimensions in mm			Colour Option - Colour suffix * - Grey= A / Blue= B / Black= E		

Die cast aluminium enclosure sealed to
BS EN 60529:1992 IP66, IP67

- 3mm One piece Die cut Silicone Rubber Sponge 01-255FR Seal
- Seal has Self Adhesive Backing. 01-255SAB Suitable for -60 °c to 240 °c.
- Min seal thickness 3.0mm - min seal frame width 3.5mm
- Min enclosure wall thickness 3mm
- Min enclosure lid thickness 3mm
- PCB maximum dimensions 148mm Length, 1.7mm Width
- Enclosures can be supplied Machined to your specifications
- Made in the UK



Tel No. +44(0)1724 273200 Website www.dem-uk.com



PROPRIETARY AND CONFIDENTIAL
THE INFORMATION CONTAINED IN THIS DRAWING IS THE SOLE PROPERTY OF
ALPHA 3 MANUFACTURING.
ANY REPRODUCTION IN PART OR AS A WHOLE WITHOUT THE WRITTEN PERMISSION OF
ALPHA 3 MANUFACTURING IS PROHIBITED.

DEM Manufacturing, Deltron Emcon House
Hargreaves Way, Sawcliffe Ind. Park,
Scunthorpe, North Lincolnshire, DN15 8RF, UK

UNLESS OTHERWISE SPECIFIED:
DIMENSIONS ARE IN MILLIMETRES.
TOLERANCE:
NO DECIMAL PLACES ±0.2mm
1 DECIMAL PLACE ±0.1mm
2 DECIMAL PLACES ±0.05mm
ANGULAR TOLERANCE: ±1°

FINISH -
See paint code
for colour
IF IN DOUBT ASK
DO NOT SCALE DRAWING

MATERIAL LM24 / LM2

DEBURR AND BREAK
SHARP EDGES

DRAWN BY
APPROVED BY
THIRD ANGLE PROJECTION



SPB
WC
SHEET 1 OF 1
SCALE 1:4
A4

TITLE
HEAVY DUTY
DIE-CAST ENCLOSURE
IP66

DRAWING NO.
486-261609-66

ISSUE
04
Release