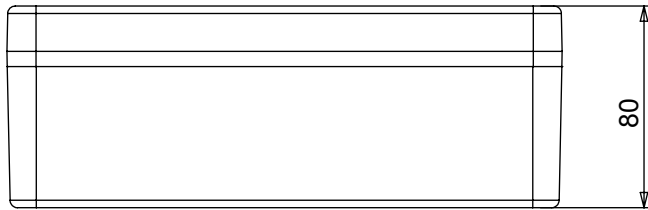
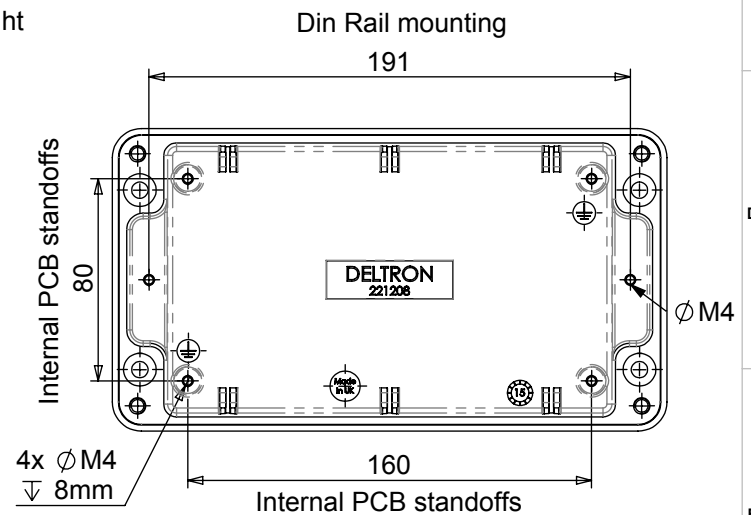
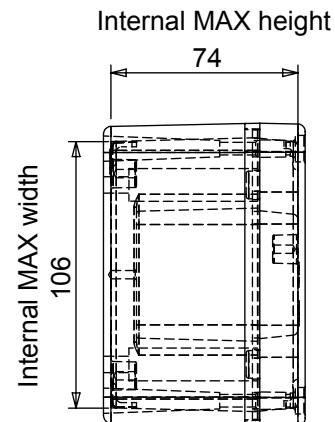
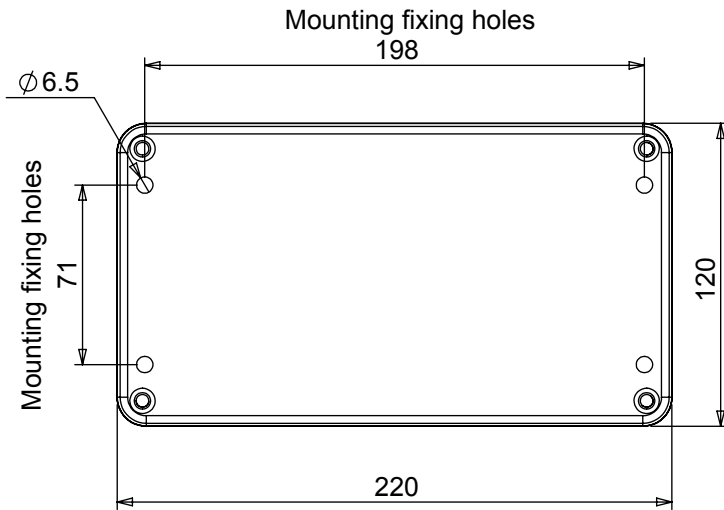
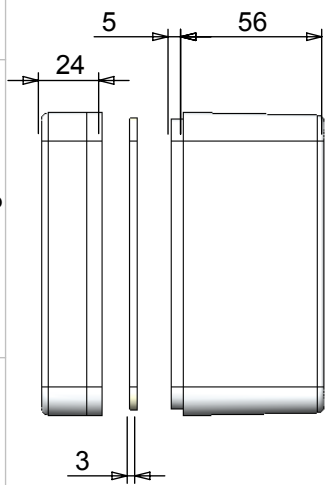


Length	Width	Height	Un-Painted	Powder Coat	Nylon Coat
220	120	80	486-221208-68	487-221208*-68	488-221208*-68
Box Dimensions in mm			Colour Option - Colour suffix * - Grey= A / Blue= B / Black= E		



Die cast aluminium enclosure sealed to BS EN 60529:1992 IP66, IP67 and IP68 (10mtrs for 20 hour)

- 3mm One piece Die cut Silicone Rubber Sponge 01-255FR Seal
- Seal has Self Adhesive Backing. 01-255SAB Suitable for -60 °c to 240 °c.
- Min seal thickness 3.0mm - min seal frame width 3.5mm
- Min enclosure wall thickness 3mm
- Min enclosure lid thickness 3mm
- PCB maximum dimensions 106mm Length, 1.7mm Width
- Enclosures can be supplied Machined to your specifications
- Made in the UK



Tel No. +44(0)1724 273200 Website www.dem-uk.com



PROPRIETARY AND CONFIDENTIAL  
 THE INFORMATION CONTAINED IN THIS DRAWING IS THE SOLE PROPERTY OF ALPHA 3 MANUFACTURING.  
 ANY REPRODUCTION IN PART OR AS A WHOLE WITHOUT THE WRITTEN PERMISSION OF ALPHA 3 MANUFACTURING IS PROHIBITED.  
 DEM Manufacturing, Deltron Emcon House  
 Hargreaves Way, Sawcliffe Ind. Park,  
 Scunthorpe, North Lincolnshire, DN15 8RF, UK

UNLESS OTHERWISE SPECIFIED:  
 DIMENSIONS ARE IN MILLIMETRES.  
 TOLERANCE:  
**NO DECIMAL PLACES ±0.2mm**  
**1 DECIMAL PLACE ±0.1mm**  
**2 DECIMAL PLACES ±0.05mm**  
**ANGULAR TOLERANCE: ±1°**

FINISH - See paint code for colour  
 DEBURR AND BREAK SHARP EDGES  
 DRAWN BY SPB  
 APPROVED BY WC  
 THIRD ANGLE PROJECTION  
 IF IN DOUBT ASK DO NOT SCALE DRAWING  
 MATERIAL LM24 / LM2

SHEET 1 OF 1  
 SCALE 1:3  
 A4

TITLE HEAVY DUTY DIE-CAST ENCLOSURE IP68  
 DRAWING NO. 486-221208-68  
 ISSUE 04  
 Release