



74LVX3245

8-Bit, Dual-Supply Translating Transceiver with 3-State Outputs

Features

- Bidirectional Interface Between 3 V and 5 V Buses
- Inputs Compatible with TTL Level
- 3 V Data Flow at A-Port and 5 V Data Flow at B-Port
- Outputs Source / Sink: 24 mA
- Guaranteed Simultaneous Switching Noise Level and Dynamic Threshold Performance
- Implements Proprietary EMI Reduction Circuitry
- Functionally Compatible with the 74 Series 245

Description

The 74LVX3245 is a dual-supply, 8-bit translating transceiver designed to interface between a 3 V bus and a 5 V bus in a mixed 5 V supply environment. The Transmit/ Receive (T/R) input determines the direction of data flow. Transmit (active-HIGH) enables data from A-ports to B-ports; receive (active-LOW) enables data from B-ports to A-ports. The output enable input, when HIGH, disables both A- and B-ports by placing them in a high-impedance condition. The A-port interfaces with the 3 V bus; the B-port interfaces with the 5 V bus.

The 74LVX3245 is suitable for mixed-voltage applications, such as notebook computers using 3.3 V CPU and 5V peripheral components.

Related Resources

- [AN-5001 — Using Fairchild's LVX Low-Voltage Dual-Supply CMOS Translating Transceivers](#)

Ordering Information

Part Number	Operating Temperature Range	Package	Packing Method
74LVX3245WM	-40 to +85°C	24-Lead Small-Outline Integrated Circuit (SOIC), JEDEC MS-013, 0.300" Wide	Tubes
74LVX3245WMX			Tape and Reel
74LVX3245QSC		24-Lead Quarter-Size Outline Package (QSOP), JEDEC MO-137, 0.150" Wide	Tubes
74LVX3245QSCX			Tape and Reel
74LVX3245MTC		24-Lead Thin-Shrink Small-Outline Package (TSSOP), JEDEC MO-153, 4.4 mm Wide	Tubes
74LVX3245MTCX			Tape and Reel

Logic Symbol

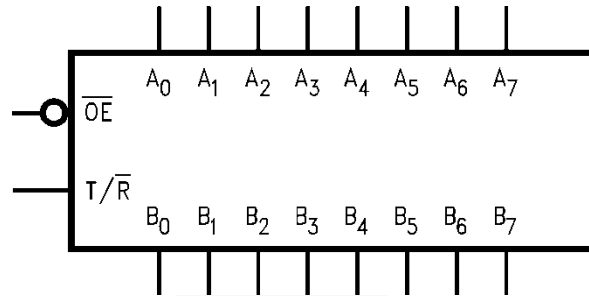


Figure 1. Logic Symbol

Pin Configuration

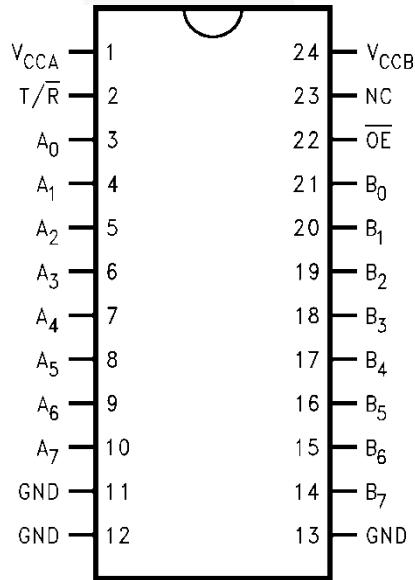


Figure 2. Pin Configuration

Pin Definitions

Pin #	Name	Description
1	V _{CCA}	Supply Voltage
2	T/R	Transmit/Receive Input
3, 4, 5, 6, 7, 8, 9, 10	A ₀ , A ₁ , A ₂ , A ₃ , A ₄ , A ₅ , A ₆ , A ₇	Port-A Inputs or 3-State Outputs
11, 12, 13	GND	Ground
14, 15, 16, 17, 18, 19, 20, 21	B ₇ , B ₆ , B ₅ , B ₄ , B ₃ , B ₂ , B ₁ , B ₀	Port-B Inputs or 3-State Outputs
22	/OE	Output Enable Input
23	NC	No Connect
24	V _{CCB}	Supply Voltage

Logic Diagram

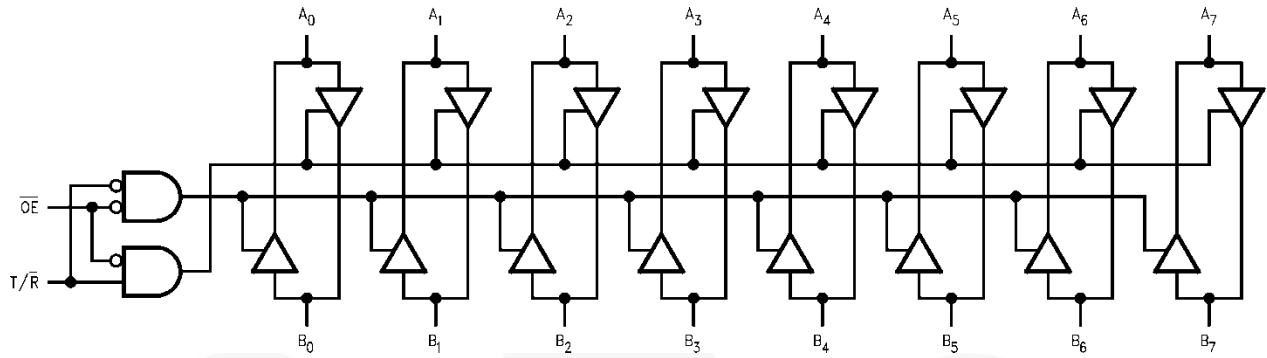


Figure 3. Logic Diagram

Table 1. Truth Table

Inputs		Outputs
/OE	T/R	
L	L	Bus B Data to Bus A
L	H	Bus A Data to Bus B
H	X	HIGH-Z State

H = HIGH Voltage Level

L = LOW Voltage Level

X = Immaterial

Absolute Maximum Ratings

Stresses exceeding the absolute maximum ratings may damage the device. The device may not function or be operable above the recommended operating conditions and stressing the parts to these levels is not recommended. In addition, extended exposure to stresses above the recommended operating conditions may affect device reliability. The absolute maximum ratings are stress ratings only.

Symbol	Parameter		Min.	Max.	Unit
V_{CCA}, V_{CCB}	Supply Voltage		-0.5	7.0	V
V_{IN}	DC Input Voltage; (/OE, T/R)		-0.5	$V_{CCA} + 0.5$	V
$V_{I/O}$	DC Input / Output Voltage	A_n	-0.5	V_{CCA} to +0.5	V
		B_n	-0.5	V_{CCB} to +0.5	
I_{IN}	DC Input Diode Current (/OE and T/R)			±20	mA
I_{OK}	DC Output Diode Current			±50	mA
I_O	DC Output Source or Sink Current			±50	mA
I_{CC} or I_{GND}	DC V_{CC} or Ground Current	Output Pin		±50	mA
		Maximum Current at	I_{CCA}	±100	
			I_{CCB}	±200	
T_{STG}	Storage Temperature Range		-65	+150	°C
I_{SINK}	DC Latch-Up Source or Sink Current			±300	mA
T_J	Maximum Junction Temperature Under Bias			+150	°C
ESD	Electrostatic Discharge Capability	Human Body Model, JESD22-A114		2500	V

Recommended Operating Conditions

The Recommended Operating Conditions table defines the conditions for actual device operation. Recommended operating conditions are specified to ensure optimal performance to the datasheet specifications. Fairchild does not recommend exceeding them or designing to Absolute Maximum Ratings.

Symbol	Parameter		Min.	Max.	Unit
V_{CCA}	Supply Voltage		2.7	3.6	V
V_{CCB}			4.5	5.5	
V_I	Input Voltage (/OE and T/R)		0	V_{CCA}	V
$V_{I/O}$	DC Input / Output Voltage	A_n	0	V_{CCA}	V
		B_n	0	V_{CCB}	
T_A	Operating Temperature, Free Air		-40	+85	°C
$\Delta t / \Delta V$	Minimum Input Edge Rate (V_{IN} from 30 to 70% of V_{CC} , V_{CC} at 3.0 V, 4.5 V, and 5.5 V)			8	ns/V

Note:

1. Unused pins (inputs and I/O's) must be held HIGH or LOW. They may not float.

DC Electrical Characteristics

Symbol	Parameter		Conditions	V _{CCA} (V)	V _{CCB} (V)	T _A = -25°C		T _A = -40 to +85°C		Units
						Typ.	Guaranteed Limits			
V _{IHA}	Minimum HIGH Level Input Voltage	A _n , T/R, /OE	V _{OUT} ≤ 0.1 V or ≥ V _{CC} - 0.1 V	3.6	5.0		2.0	2.0	V	
				2.7	5.0		2.0	2.0		
V _{IHB}		B _n			3.3	4.5		2.0		2.0
					3.3	5.5		2.0		2.0
V _{ILA}	Minimum LOW Level Input Voltage	A _n , T/R, /OE	V _{OUT} ≤ 0.1 V or ≥ V _{CC} - 0.1 V	3.6	5.0		0.8	0.8	V	
				2.7	5.0		0.8	0.8		
V _{ILB}		B _n			3.3	4.5		0.8		0.8
					3.3	5.5		0.8		0.8
V _{OHA}	Minimum HIGH Level Output Voltage		I _{OUT} = -100 μA	3.0	4.5	2.99	2.90	2.90	V	
			I _{OH} = -24 mA	3.0	4.5	2.65	2.35	2.25		
			I _{OH} = -12 mA	2.7	4.5	2.50	2.30	2.20		
			I _{OH} = -24 mA	2.7	4.5	2.30	2.10	2.00		
V _{OHB}			I _{OUT} = -100 μA	3.0	4.5	4.50	4.40	4.40	V	
			I _{OH} = -24 mA	3.0	4.5	4.25	3.86	3.76		
V _{OLA}	Minimum LOW Level Output Voltage		I _{OUT} = 100 μA	3.0	4.5	0.002	0.100	0.100	V	
			I _{OH} = 24 mA	3.0	4.5	0.210	0.360	0.440		
			I _{OH} = 12 mA	2.7	4.5	0.110	0.360	0.440		
			I _{OH} = 24 mA	2.7	4.5	0.220	0.420	0.500		
V _{OLB}			I _{OUT} = 100 μA	3.0	4.5	0.002	0.100	0.100	V	
			I _{OH} = 24 mA	3.0	4.5	0.180	0.360	0.440		
I _{IN}	Maximum Input Leakage Current; /OE, T/R		V _{IN} = V _{CCB} , GND	3.6	5.5		±0.1	±1.0	μA	
I _{OZA}	Maximum 3-State Output Leakage; A _n		V _{IN} = V _{IL} , V _{IH} ; /OE = V _{CCA} ; V _O = V _{CCB} , GND	3.6	5.5		±0.5	±5.0	μA	
I _{OZB}	Maximum 3-State Output Leakage; B _n		V _{IN} = V _{IL} , V _{IH} ; /OE = V _{CCA} ; V _O = V _{CCB} , GND	3.6	5.5		±0.5	±5.0	μA	
ΔI _{CC}	Maximum I _{CC} T/Input at	B _n	V _{IN} = V _{CCB} - 2.1 V	3.6	5.5	1.00	1.35	1.50	mA	
		A _n , T/R, /OE	V _{IN} = V _{CCA} - 0.6 V	3.6	5.5		0.35	0.50		
I _{CCA}	Quiescent V _{CCA} Supply Current		A _n = V _{CCA} or GND, B _n = V _{CCB} or GND, /OE = GND, T/R = GND	3.6	5.5		5	50	μA	
I _{CCB}	Quiescent V _{CCB} Supply Current		A _n = V _{CCA} or GND, B _n = V _{CCB} or GND, /OE = GND, T/R = V _{CCA}	3.6	5.5		8	80		

Continued on the following page...

DC Electrical Characteristics (Continued)

Symbol	Parameter	Conditions	V _{CCA} (V)	V _{CCB} (V)	T _A = -25°C	T _A = -40 to +85°C		Units
					Typ.	Guaranteed Limits		
V _{OLPA}	Quiet Output Maximum Dynamic V _{OL} ^(2, 3)		3.3	5.0		0.8		V
V _{OLPB}			3.3	5.0		1.5		
V _{OLVA}	Quiet Output Minimum Dynamic V _{OL} ^(2, 3)		3.3	5.0		-0.8		V
V _{OLVB}			3.3	5.0		-1.2		
V _{IHDA}	Minimum HIGH Level Dynamic Input Voltage ^(2, 4)		3.3	5.0		2.0		V
V _{IHDB}			3.3	5.0		2.0		
V _{ILDA}	Maximum LOW Level Dynamic Input Voltage ^(2, 4)		3.3	5.0		0.8		V
V _{ILDB}			3.3	5.0		0.8		

Notes:

- Worst-case package.
- Maximum number of outputs defined as (n). Data inputs are driven 0 V to V_{CC} level; one output at GND.
- Maximum number of data inputs (n) switching. (n-1) inputs switching 0 V to V_{CC} level. Input-under-test switching; V_{CC} level to threshold (V_{IHD}), 0V to threshold (V_{ILD}), f=1 MHz.

AC Electrical Characteristics

Symbol	Parameter	$T_A=+25^\circ\text{C}$, $C_L=50\text{ pF}$, $V_{CCA}=3.3\text{ V}^{(5)}$, $V_{CCB}=5.0\text{ V}^{(6)}$			$T_A=-40\text{ to }+85^\circ\text{C}$, $C_L=50\text{ pF}$, $V_{CCA}=3.3\text{ V}^{(5)}$, $V_{CCB}=5.0\text{ V}^{(6)}$		$T_A=-40\text{ to }+85^\circ\text{C}$, $C_L=50\text{ pF}$, $V_{CCA}=2.7\text{ V}$, $V_{CCB}=5.0\text{ V}$		Units
		Min.	Typ.	Max.	Min.	Max.	Min.	Max.	
t_{PHL} , t_{PLH}	Propagation Delay A to B	1.0	5.4	8.0	1.0	8.5	1.0	9.0	ns
		1.0	5.6	7.5	1.0	8.0	1.0	8.5	
	Propagation Delay B to A	1.0	5.1	7.5	1.0	8.0	1.0	8.5	
		1.0	5.7	7.5	1.0	8.0	1.0	8.5	
t_{PZL} , t_{PZH}	Output Enable Time /OE to B	1.0	4.8	8.0	1.0	8.5	1.0	9.0	ns
		1.0	6.3	8.5	1.0	9.0	1.0	9.5	
	Output Enable Time /OE to A	1.0	6.3	8.5	1.0	9.0	1.0	9.5	
		1.0	6.8	9.0	1.0	9.5	1.0	10.0	
t_{PHZ} , t_{PLZ}	Output Disable Time /OE to B	1.0	5.3	7.5	1.0	8.0	1.0	8.5	ns
		1.0	4.2	7.0	1.0	7.5	1.0	8.0	
	Output Disable Time /OE to A	1.0	5.3	8.0	1.0	8.5	1.0	9.0	
		1.0	3.7	6.5	1.0	7.0	1.0	7.5	
t_{OSHL} , t_{OSLH}	Output to Output Skew, Data to Output ⁽⁷⁾		1.0	1.5		1.5		1.5	ns

Notes:

- Voltage range 3.3 V is $3.3\text{ V} \pm 0.3\text{ V}$.
- Voltage range 5.0 V is $5.0\text{ V} \pm 0.5\text{ V}$.
- Skew is defined as the absolute value of the difference between the actual propagation delay for any two separate outputs of the same device. The specification applies to any outputs switching in the same direction, either HIGH-to-LOW (t_{OSHL}) or LOW-to-HIGH (t_{OSLH}). Parameter guaranteed by design.

Capacitance

Symbol	Parameter	Conditions	Typ.	Units	
C_{IN}	Input Capacitance	$V_{CC} = \text{Open}$	4.5	pF	
$C_{I/O}$	Input / Output Capacitance	$V_{CCA} = 3.3\text{ V}$, $V_{CCB} = 5.0\text{ V}$	15	pF	
C_{PD}	Power Dissipation Capacitance ⁽⁸⁾	A to B	$V_{CCA} = 3.3\text{ V}$, $V_{CCB} = 5.0\text{ V}$	55	pF
		B to A		40	

Note:

- C_{PD} is measured at 10 MHz.

8-Bit Dual-Supply Translating Transceiver

The 74LVX3245 is a dual-supply device capable of bi-directional signal translation. This level shifting ability provides an efficient interface between low-voltage CPU local bus with memory and a standard bus defined by 5 V I/O levels. The device control inputs can be controlled by the low-voltage CPU and core logic or a bus arbitrator with 5 V I/O levels.

Manufactured on a sub-micron CMOS process, the 74LVX3245 is ideal for mixed voltage applications such as notebook computers using 3.3 V CPUs and 5 V peripheral devices.

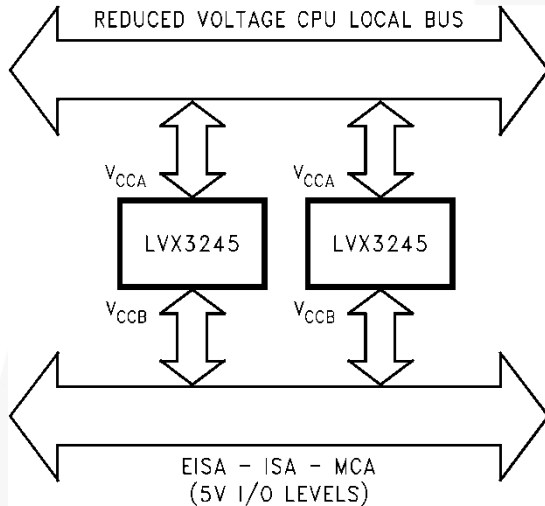


Figure 4. Application Example

Power-Up Considerations

To ensure that the system does not experience unnecessary I_{CC} current draw, bus contention, or oscillations during power up; the following guidelines should be followed to (refer to Table 2):

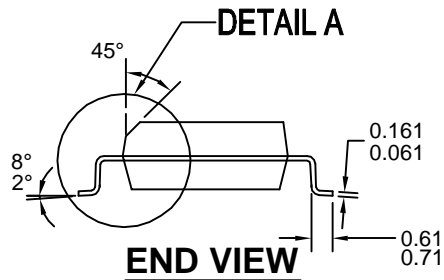
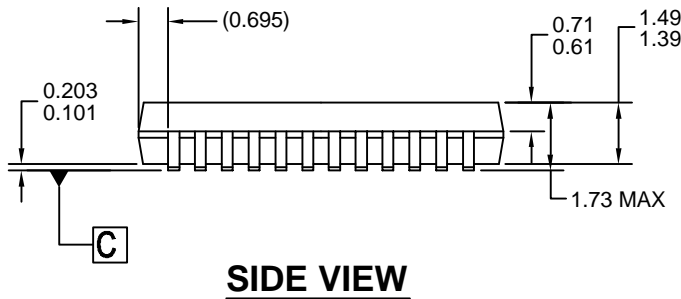
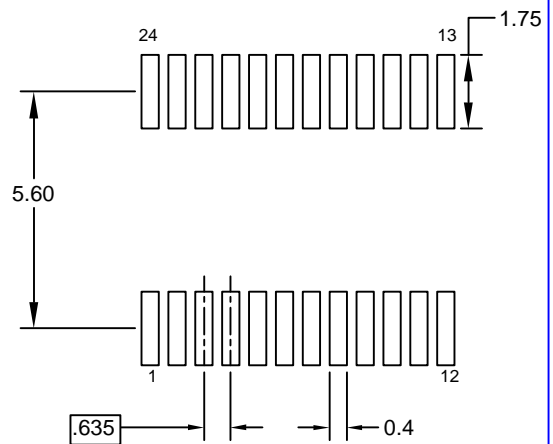
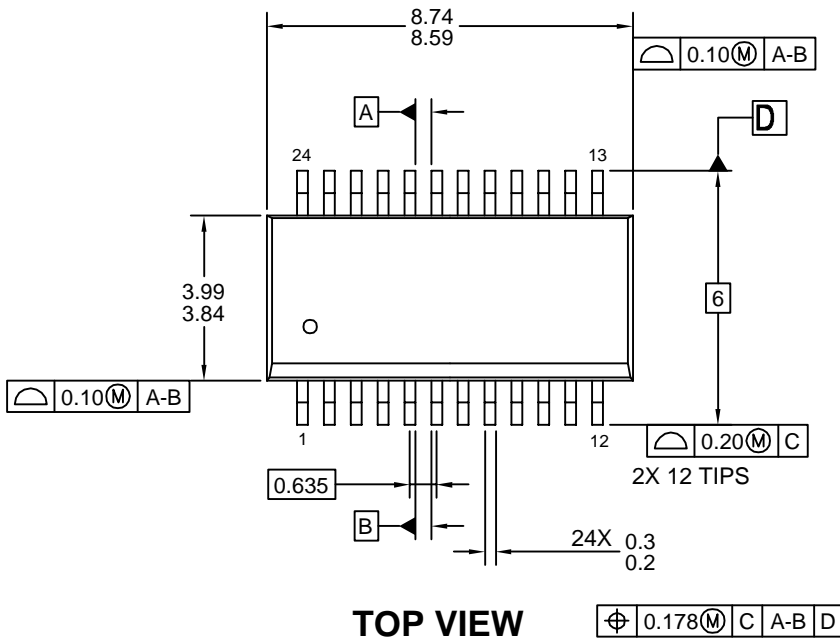
- Power up the control side of the device first (V_{CCA}).
- /OE should ramp with or ahead of V_{CCA} . This helps guard against bus contention.
- The Transmit/Receive (T/R) control pin should ramp with V_{CCA} . This ensures that the A-port data pins are configured as inputs. With V_{CCA} receiving power first, the I/O port should be configured as an input to help guard against bus contention and oscillations.
- A-side data inputs should be driven to a valid logic level. This prevents excessive current draw.

The above steps ensure that there are no bus contentions or oscillations, and therefore no excessive current draw occurs during the power-up cycling. These steps help prevent possible damage to the translator devices and potential damage to other system components.

Table 2. Low Voltage Translator Power-Up Sequencing

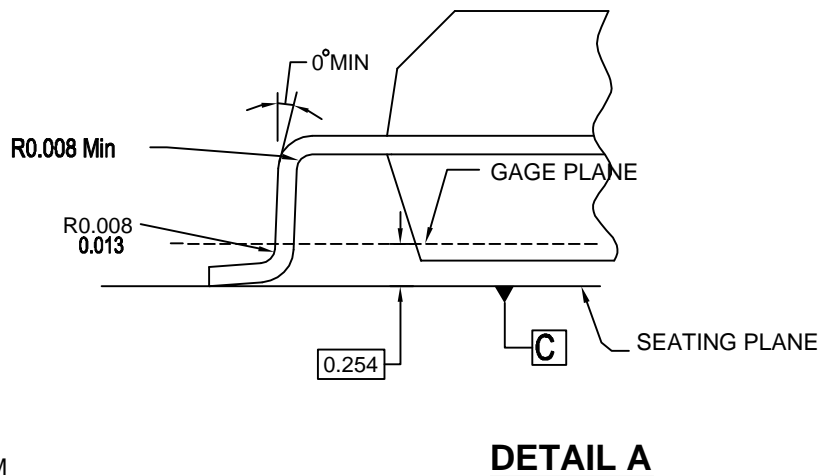
Device	V_{CCA}	V_{CCB}	T/R	/OE	A-Side I/O	B-Side I/O	Floatable Pin Allowed
74LVX3245	3 V (Power-Up First)	5 V Configurable	Ramp with V_{CCA}	Ramp with V_{CCA}	Logic 0 V or V_{CCA}	Outputs	No

REVISIONS			
LTR	DESCRIPTION	EDCN	DATE
2	RECREATED DRAWING	MASS UPDATE	17 JULY 07
			BY/APP'D L.HUEBENER



NOTES :

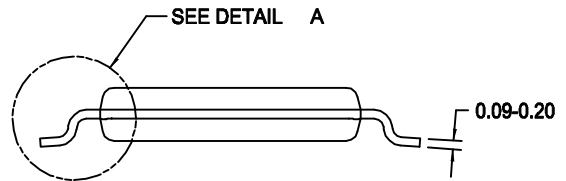
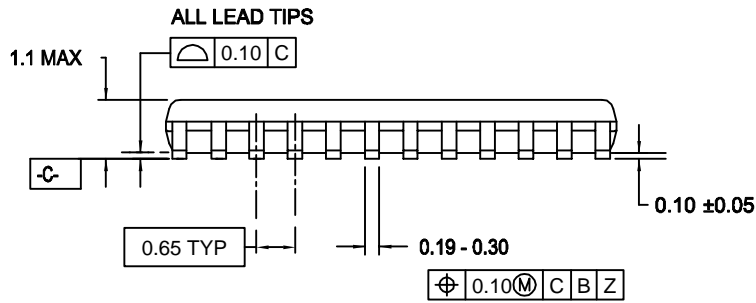
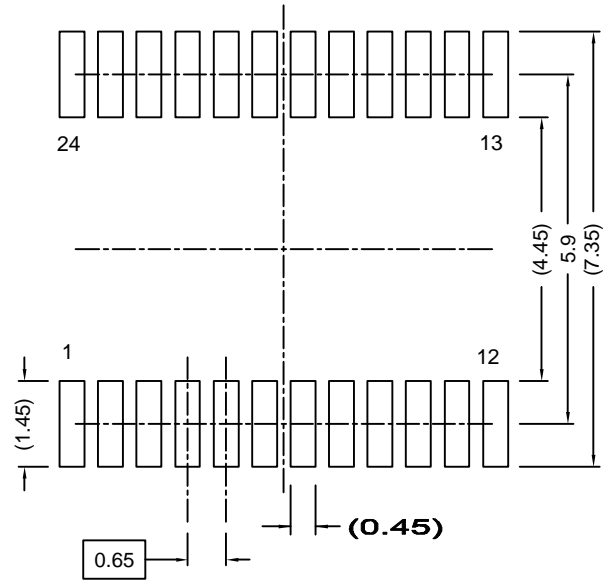
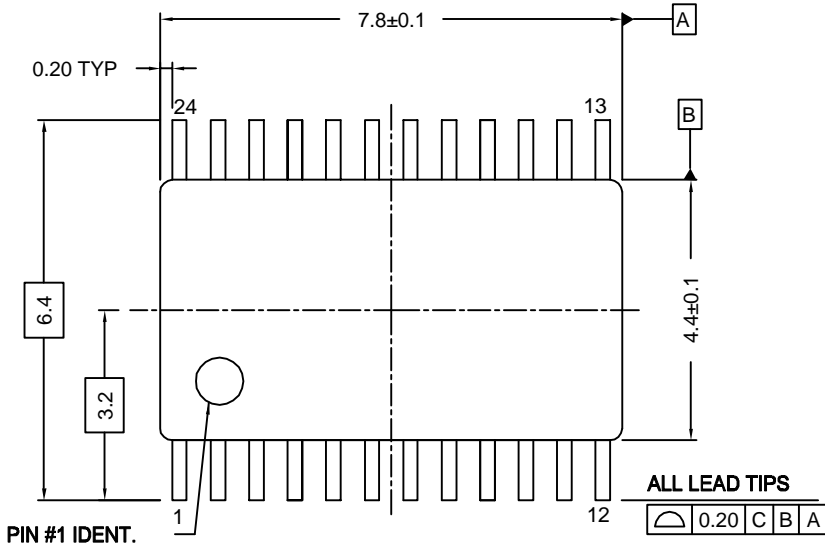
- A. THIS PACKAGE CONFORMS TO JEDEC M0-137 VARIATION AE
- B. ALL DIMENSIONS ARE IN MILLIMETERS
- C. DRAWING CONFORMS TO ASME Y14.5M-1994
- D. DIMENSIONS ARE EXCLUSIVE OF BURRS, MOLD FLASH, AND TIE BAR EXTRUSIONS
- E. LAND PATTERN STANDARD: SOP63P600X175-24M
- F. DRAWING FILE NAME: MKT-MQA24REV2



APPROVALS	DATE	FAIRCHILD SEMICONDUCTOR®
DRAWN L.HUEBENER	17 JULY 07	
DFTG. CHK. H.ALLEN	30 JULY 07	
ENGR. CHK.		
		SCALE N/A
		SIZE N/A
		DRAWING NUMBER MKT-MQA24
		REV 2
		DO NOT SCALE DRAWING
		SHEET 1 of 1

REVISIONS

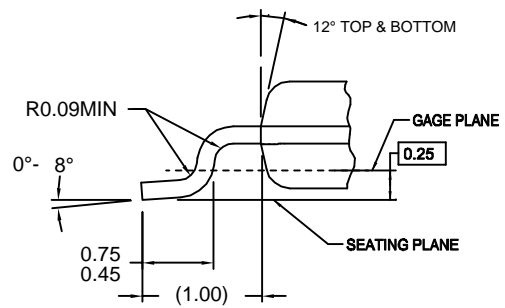
LTR	DESCRIPTION	EDCN	DATE	BY/APPD
4	CHANGE TO FSPM DRAWING FORMAT N LEAD SHIFT TOL. FROM 0.13MM TO 0.10MM	ECN-MTC24REV4	21/12/2006	H.ALLEN



DIMENSIONS ARE IN MILLIMETERS

NOTES:

- A. CONFORMS TO JEDEC REGISTRATION MO-153, VARIATION AD, DATE 10/97.
- B. DIMENSIONS ARE IN MILLIMETERS.
- C. DIMENSIONS ARE EXCLUSIVE OF BURRS, MOLD FLASH, AND TIE BAR EXTRUSIONS.
- D. DIMENSIONS AND TOLERANCES PER ANSI Y14.5M, 1994
- E. DRAWING FILE NAME: MTC24REV4



DETAIL A






MTC24REV4

APPROVALS		DATE	FAIRCHILD SEMICONDUCTOR™		
DRAWN	FEITAN	8-10-99	Bayan Lepas, FIZ, 11900, Penang, Malaysia.		
DFTG. CHK.	H.ALLEN	21-12-2006	24LD, TSSOP, JEDEC MO-153, 4.4MM WIDE		
ENGR. CHK.					
PROJECTION		SCALE	SIZE	DRAWING NUMBER	REV
		N/A	A4	MKT-MTC24	4
DO NOT SCALE DRAWING			SHEET 1 of 1		



TRADEMARKS

The following includes registered and unregistered trademarks and service marks, owned by Fairchild Semiconductor and/or its global subsidiaries, and is not intended to be an exhaustive list of all such trademarks.

AccuPower™	F-PFS™	OPTOPLANAR®	
AttitudeEngine™	FRFET®		TinyBoost®
Awinda®	Global Power Resource™	PowerTrench®	TinyBuck®
AX-CAP®*	GreenBridge™	PowerXS™	TinyCalc™
BitSiC™	Green FPS™	Programmable Active Droop™	TinyLogic®
Build it Now™	Green FPS™ e-Series™	QFET®	TINYOPTO™
CorePLUS™	Gmax™	QS™	TinyPower™
CorePOWER™	GTO™	Quiet Series™	TinyPWM™
CROSSVOLT™	IntelliMAX™	RapidConfigure™	TinyWire™
CTL™	ISOPLANAR™		TranSiC™
Current Transfer Logic™	Making Small Speakers Sound Louder and Better™	Saving our world, 1mW/W/kW at a time™	TriFault Detect™
DEUXPEED®	MegaBuck™	SignalWise™	TRUECURRENT®*
Dual Cool™	MICROCOUPLER™	SmartMax™	μSerDes™
EcoSPARK®	MicroFET™	SMART START™	
EfficientMax™	MicroPak™	Solutions for Your Success™	UHC®
ESBC™	MicroPak2™	SPM®	Ultra FRFET™
	MillerDrive™	STEALTH™	UniFET™
Fairchild®	MotionMax™	SuperFET®	Vcx™
Fairchild Semiconductor®	MotionGrid®	SuperSOT™-3	VisualMax™
FACT Quiet Series™	MTI®	SuperSOT™-6	VoltagePlus™
FACT®	MTX®	SuperSOT™-8	XST™
FAST®	MVN®	SupreMOS®	Xsens™
FastvCore™	mWSaver®	SyncFET™	仙童™
FETBench™	OptoHiT™	Sync-Lock™	
FPS™	OPTOLOGIC®		

* Trademarks of System General Corporation, used under license by Fairchild Semiconductor.

DISCLAIMER

FAIRCHILD SEMICONDUCTOR RESERVES THE RIGHT TO MAKE CHANGES WITHOUT FURTHER NOTICE TO ANY PRODUCTS HEREIN TO IMPROVE RELIABILITY, FUNCTION, OR DESIGN. TO OBTAIN THE LATEST, MOST UP-TO-DATE DATASHEET AND PRODUCT INFORMATION, VISIT OUR WEBSITE AT [HTTP://WWW.FAIRCHILDSEMI.COM](http://www.fairchildsemi.com). FAIRCHILD DOES NOT ASSUME ANY LIABILITY ARISING OUT OF THE APPLICATION OR USE OF ANY PRODUCT OR CIRCUIT DESCRIBED HEREIN; NEITHER DOES IT CONVEY ANY LICENSE UNDER ITS PATENT RIGHTS, NOR THE RIGHTS OF OTHERS. THESE SPECIFICATIONS DO NOT EXPAND THE TERMS OF FAIRCHILD'S WORLDWIDE TERMS AND CONDITIONS, SPECIFICALLY THE WARRANTY THEREIN, WHICH COVERS THESE PRODUCTS.

LIFE SUPPORT POLICY

FAIRCHILD'S PRODUCTS ARE NOT AUTHORIZED FOR USE AS CRITICAL COMPONENTS IN LIFE SUPPORT DEVICES OR SYSTEMS WITHOUT THE EXPRESS WRITTEN APPROVAL OF FAIRCHILD SEMICONDUCTOR CORPORATION.

As used herein:

- Life support devices or systems are devices or systems which, (a) are intended for surgical implant into the body or (b) support or sustain life, and (c) whose failure to perform when properly used in accordance with instructions for use provided in the labeling, can be reasonably expected to result in a significant injury of the user.
- A critical component in any component of a life support, device, or system whose failure to perform can be reasonably expected to cause the failure of the life support device or system, or to affect its safety or effectiveness.

ANTI-COUNTERFEITING POLICY

Fairchild Semiconductor Corporation's Anti-Counterfeiting Policy. Fairchild's Anti-Counterfeiting Policy is also stated on our external website, www.fairchildsemi.com, under Sales Support.

Counterfeiting of semiconductor parts is a growing problem in the industry. All manufacturers of semiconductor products are experiencing counterfeiting of their parts. Customers who inadvertently purchase counterfeit parts experience many problems such as loss of brand reputation, substandard performance, failed applications, and increased cost of production and manufacturing delays. Fairchild is taking strong measures to protect ourselves and our customers from the proliferation of counterfeit parts. Fairchild strongly encourages customers to purchase Fairchild parts either directly from Fairchild or from Authorized Fairchild Distributors who are listed by country on our web page cited above. Products customers buy either from Fairchild directly or from Authorized Fairchild Distributors are genuine parts, have full traceability, meet Fairchild's quality standards for handling and storage and provide access to Fairchild's full range of up-to-date technical and product information. Fairchild and our Authorized Distributors will stand behind all warranties and will appropriately address any warranty issues that may arise. Fairchild will not provide any warranty coverage or other assistance for parts bought from Unauthorized Sources. Fairchild is committed to combat this global problem and encourage our customers to do their part in stopping this practice by buying direct or from authorized distributors.

PRODUCT STATUS DEFINITIONS

Definition of Terms

Datasheet Identification	Product Status	Definition
Advance Information	Formative / In Design	Datasheet contains the design specifications for product development. Specifications may change in any manner without notice.
Preliminary	First Production	Datasheet contains preliminary data; supplementary data will be published at a later date. Fairchild Semiconductor reserves the right to make changes at any time without notice to improve design.
No Identification Needed	Full Production	Datasheet contains final specifications. Fairchild Semiconductor reserves the right to make changes at any time without notice to improve the design.
Obsolete	Not In Production	Datasheet contains specifications on a product that is discontinued by Fairchild Semiconductor. The datasheet is for reference information only.

Rev. I73