

PLEASE CHECK WWW.MOLEX.COM FOR LATEST PART INFORMATION

Part Number: **50212-8100**
Status: **Active**
Description: 2.00mm Pitch Crimp Terminal, Female, 24-30 AWG, Bag

Documents:

3D Model	Product Specification PS-51090-018 (PDF)
Drawing (PDF)	Product Specification PS-51160-001 (PDF)
Product Specification PS-51065-005 (PDF)	Product Specification PS-51160-006 (PDF)
Product Specification PS-51065-016 (PDF)	Product Specification PS-51225-003 (PDF)
Product Specification PS-51065-017 (PDF)	Product Specification PS-52968-006 (PDF)
Product Specification PS-51065-018 (PDF)	Product Specification PS-52968-007 (PDF)
Product Specification PS-51089-001 (PDF)	Product Specification PS-53717-002 (PDF)
Product Specification PS-51089-005 (PDF)	Product Specification PS-54111-002 (PDF)
Product Specification PS-51090-003 (PDF)	Product Specification PS-54214-001 (PDF)
Product Specification PS-51090-004 (PDF)	Product Specification PS-54452-007 (PDF)
Product Specification PS-51090-005 (PDF)	Product Specification PS-55533-004 (PDF)
Product Specification PS-51090-009 (PDF)	Packaging Specification SPK-50212-001 (PDF)
Product Specification PS-51090-016 (PDF)	RoHS Certificate of Compliance (PDF)
Product Specification PS-51090-017 (PDF)	

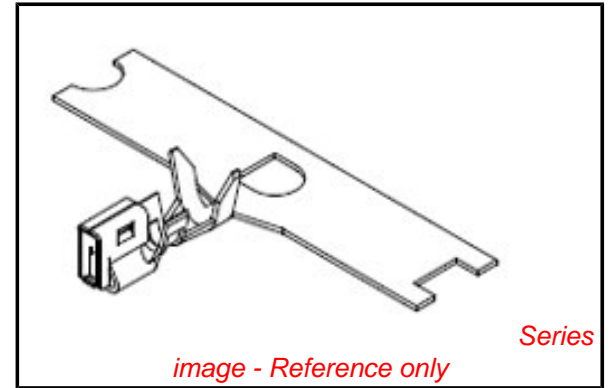


image - Reference only

EU RoHS

**ELV and RoHS
Compliant
REACH SVHC
Contains SVHC: No
Low-Halogen Status
Low-Halogen**

China RoHS



Need more information on product environmental compliance?

Email productcompliance@molex.com
 For a multiple part number RoHS Certificate of Compliance, [click here](#)

Please visit the [Contact Us](#) section for any non-product compliance questions.

General

Product Family	Crimp Terminals
Series	50212
Application	Signal
Crimp Quality Equipment	Yes
MolexKits	Yes
Packaging Alternative	50212-8000 (Reel)
Product Name	DuraClik™, Mi II™, Micro-Latch™, Sherlock™
UPC	800754369473

Physical

Gender	Female
Material - Metal	Phosphor Bronze
Material - Plating Mating	Tin
Material - Plating Termination	Tin
Net Weight	20.400/mg
Packaging Type	Bag
Termination Interface: Style	Crimp or Compression
Wire Insulation Diameter	1.40mm max.
Wire Size AWG	24, 26, 28, 30
Wire Size mm ²	N/A

Electrical

Current - Maximum per Contact	2A
Voltage - Maximum	125V

Material Info

Reference - Drawing Numbers

Crimp Specification	CS-50212
Packaging Specification	SPK-50212-001
Product Specification	PS-51065-005, PS-51065-016, PS-51065-017, PS-51065-018, PS-51089-001, PS-51089-005, PS-51090-003, PS-51090-004, PS-51090-005, PS-51090-009, PS-51090-016, PS-51090-017, PS-51090-018, PS-51160-001, PS-51160-006, PS-51225-003, PS-52968-006, PS-52968-007,

Search Parts in this Series

50212Series

Use With

DuraClik™ Receptacle Housing 502351

Micro-Latch™ Receptacle Housing 51065
Mi II™ Receptacle Housings 51089 , 51090

Application Tooling | FAQ

Tooling specifications and manuals are found by selecting the products below. Crimp Height Specifications are then contained in the Application Tooling Specification document.

Global

Description	Product #
Hand Crimp Tool for 2.00mm Pitch Terminal, 24-30 AWG	0638190500
Extraction Tool	0011030043

Japan

Description	Product #
Extraction Tool	0571056000

PS-53717-002, PS-54111-002, PS-54214-001,
PS-54452-007, PS-55533-004, RPS-35507-003,
RPS-51065-001, RPS-51065-002, RPS-51065-006,
RPS-51065-007, RPS-51065-010, RPS-51065-011,
RPS-51065-012, RPS-51065-013, RPS-51065-014,
RPS-51065-015, RPS-51065-017, RPS-51065-018,
RPS-51065-019, RPS-51065-021, RPS-51065-022,
RPS-51065-023, RPS-51065-025, RPS-51065-026,
RPS-51065-027, RPS-51065-028, RPS-51065-030,
RPS-51065-031, RPS-51065-032, RPS-51065-033,
RPS-51065-034, RPS-51089-002, RPS-51089-004,
RPS-51089-005, RPS-51090-002, RPS-51090-005,
RPS-51090-006, RPS-51090-008, RPS-51090-009,
RPS-51090-010, RPS-51090-012, RPS-51090-013,
RPS-51090-014, RPS-51090-015, RPS-51090-017,
RPS-51090-018, RPS-51090-021, RPS-51090-022,
RPS-51090-026, RPS-51160-003, RPS-51160-005,
RPS-51339-004, RPS-51339-007, RPS-52484-002,
RPS-52968-005, RPS-52968-012, RPS-52968-013,
RPS-52969-004, RPS-52969-006, RPS-53324-001,
RPS-53358-001, RPS-54111-004, RPS-54111-005,
RPS-54269-004, RPS-55460-011, RPS-87369-001
SD-50212-001

Sales Drawing

This document was generated on 03/02/2015

PLEASE CHECK WWW.MOLEX.COM FOR LATEST PART INFORMATION