

PLEASE CHECK WWW.MOLEX.COM FOR LATEST PART INFORMATION

Part Number: [84700-0002](#)
Status: **Active**
Overview: Brad® Industrial Ethernet Solutions
Description: Field-Attachable Plug Kit, RJ-45

Documents:

[3D Model](#) [RoHS Certificate of Compliance \(PDF\)](#)
[Drawing \(PDF\)](#)

General

Product Family	Field Attachable / Accessories
Series	84700
IP Rating	IP67
Overview	Brad® Industrial Ethernet Solutions
Product Name	RJ45
Type	Field Attachable Connector
UPC	756054460412

Physical

Cable Diameter	1.60mm (.063")
Coupling Type	Overmolded Cable
Diagnostics / LEDs	No
Diagnostics Port	No
Gender	N/A
Keyway	N/A
Material - Connector Body	Polypropylene
Material - Contact	Phosphor Bronze
Material - Coupling Nut	Die-Cast Zinc
Material - Plating Mating	Gold over Nickel
Orientation	N/A
Poles	4
Temperature Range - Operating	-40°C to +85°C
Wire Size AWG	22 to 28

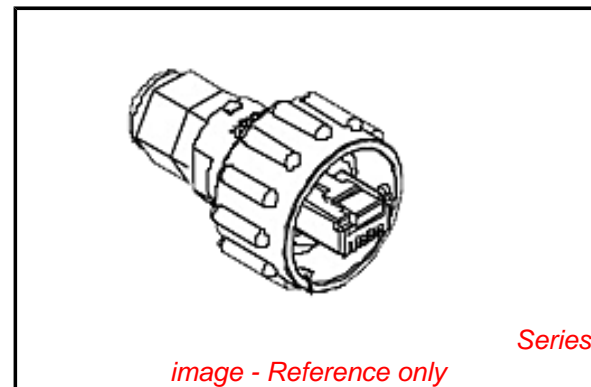
Electrical

Current - Maximum per Contact	1.5A
Voltage - Maximum	150V AC

Material Info

Reference - Drawing Numbers

Sales Drawing	SD-84700-012
---------------	--------------



EU RoHS

**ELV and RoHS
Compliant**
REACH SVHC
 Not Reviewed
Low-Halogen Status
 Not Reviewed

China RoHS



**Need more information on product
environmental compliance?**

Email productcompliance@molex.com
 For a multiple part number RoHS Certificate of
 Compliance, [click here](#)

Please visit the [Contact Us](#) section for any
 non-product compliance questions.

Search Parts in this Series

84700Series