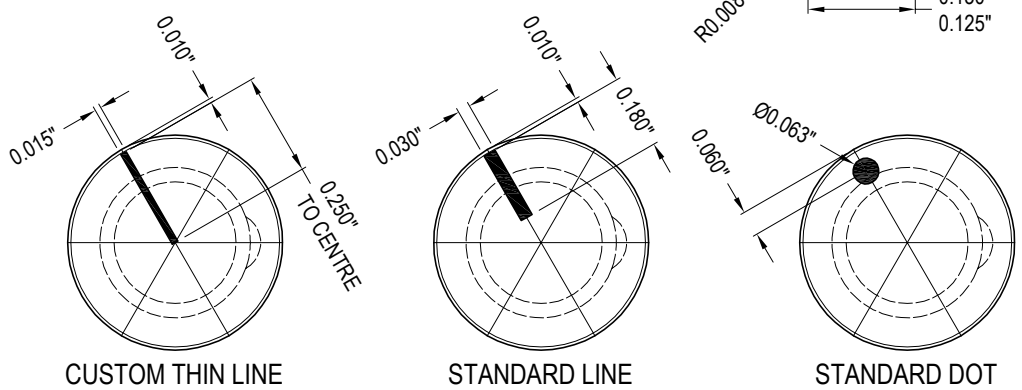
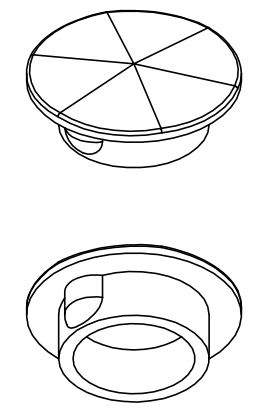
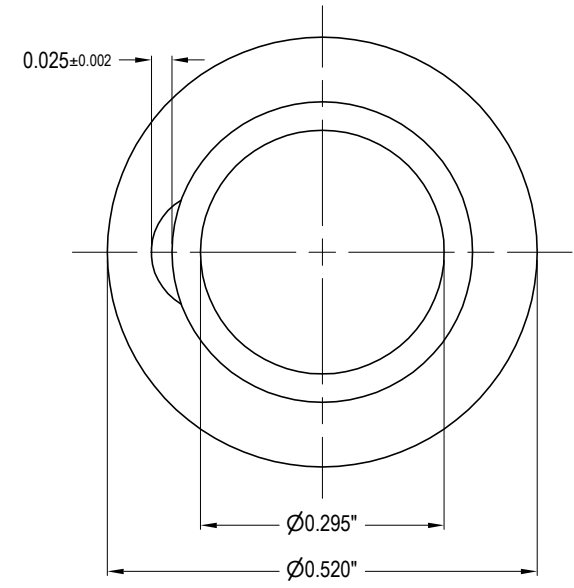
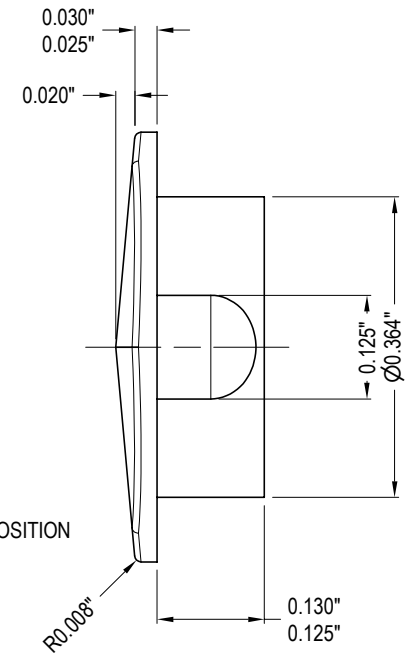
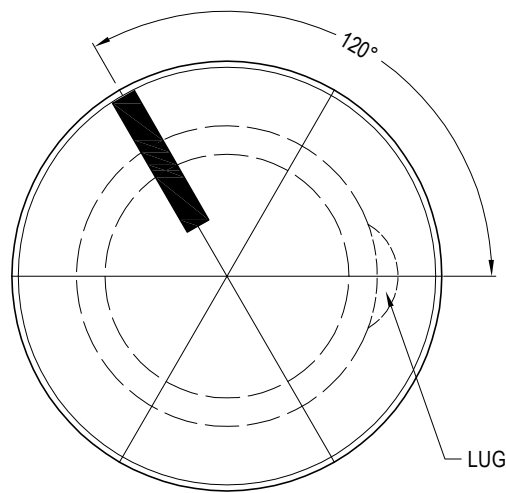
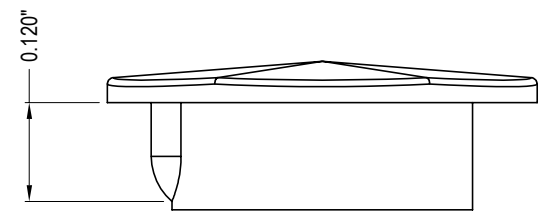


**NOTES:-**

1. DRAWING IN INCHES.
2. TOLERANCE UNLESS OTHERWISE STATED  $\pm 0.003"$
3. THIS DRAWING REPLACES 03.05.0010

| ISS. | AMEND             | DATE     |
|------|-------------------|----------|
| 1    | 1st DRAWN         | 18/10/06 |
| 2    | CL1744 ADDED      | 22/06/10 |
| 3    | CL1745 ADDED      | 04/01/12 |
| 4    | CG P/N DEL+CL1773 | 25/02/14 |



| CAP COLOUR | W/O ML | WITH ML | WITH MD | PRINTED COLOUR    |
|------------|--------|---------|---------|-------------------|
| BLACK      | CL1730 | CL1764  | CL1745  | WHITE             |
| BLACK      | -      | CL17761 | -       | GOLD              |
| WHITE      | CL1732 | CL1766  | CL1746  | BLACK             |
| GREY       | CL1736 | CL1770  | CL1750  | WHITE             |
| GREEN      | CL1742 | CL1776  | CL1755  | WHITE             |
| YELLOW     | CL1738 | CL1772  | CL1752  | BLACK             |
| YELLOW     | -      | CL1773  | -       | CUSTOM BLACK THIN |
| RED        | CL1734 | CL1768  | CL1748  | WHITE             |
| BLUE       | CL1740 | CL1774  | CL1754  | WHITE             |
| ORANGE     | CL1744 | CL1769  | CL1761  | WHITE             |

## MARKER LINE + DOT PRINTING SIZE AND POSITIONS

**RoHS**  
COMPLIANT

**TOLERANCE**  
NO DEC. PLACE  $\pm$   
1 DEC. PLACE  $\pm$   
2 DEC. PLACE  $\pm$   
HOLE  $\varnothing \pm$   
ANGLES  $\pm$   
UNLESS OTHERWISE STATED

**Cliff Electronic Components Ltd.**  
76 Holmesthorpe Avenue, Holmesthorpe Industrial Estate,  
Redhill, Surrey, RH1 2PF, England, UK  
Tel: 01737-771375 Fax: 01737-766012 Website: www.cliffuk.co.uk

THE CONTENTS OF THIS DOCUMENT MUST NOT BE COPIED OR DISCLOSED TO A 3rd PARTY WITHOUT WRITTEN PERMISSION OF CLIFF UK. © 2006

DIMENSIONS IN INCHES UNLESS OTHERWISE STATED. WORK TO DIMENSIONS. REMOVE ALL BURRS. IF IN DOUBT ASK.

MATERIAL: ABS

FINISH: SPARK ERODED VARIOUS COLOURS

DRAWN: NJB APPROVED: D.P.J.

3rd ANGLE PROJECTION:

TITLE: K9 / K10 CAP (ALL VARIANTS)

DRWG. No. **CL1730** FORM: A4DRWGH

DO NOT SCALE