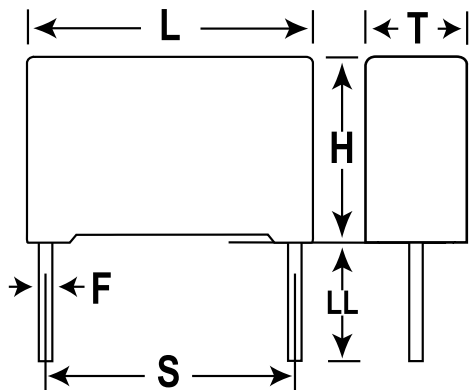


Capacitor, film, 1 uF, +/-10% Tol, -40/+110C, Safety: X1, 440 VAC, Lead Spacing=27.5 mm



Dimensions (mm)		
Symbol	Dimension	Tolerance
L	32.00	+0.3
H	33.00	+0.1
T	18.00	+0.2
S	27.50	+/-0.4
LL	25.00	+2/-1
F	0.80	+/-0.05

Notes:

-L,H,T are nominal dimensions and do not imply a minimum.

General Information	
Supplier:	KEMET
Dielectric:	Metallized Polypropylene
Application:	Safety: X1
Style:	Radial Box
Lead Form:	Wire Leads
Approvals:	ENEC,UL,cUL
RoHS:	Yes

Specifications	
Capacitance:	1 uF
Voltage:	1000 VDC
Tolerance:	+/-10%
Voltage AC:	440 VAC
Rated Temperature:	110C
Temperature Range:	-40/+110C
Dissipation Factor @ 1 kHz:	0.1%
Insulation Resistance:	30 GOhm
Maximum dVdT:	225 v/us

Packaging Specifications	
Package Kind:	Bulk
Package Quantity:	128