



## Cord Retaining Kit for 2576 & 2578 C8 inlets





- > First of its kind cord retaining system for C8 inlets and mating cord sets
- > Prevents unintended disconnection
- > Safe and ergonomic design
- > Efficient installation
- > 200 N retention force

7A/250 VAC UL, CSA  
2.5A/250 VAC IEC



C8  
  
70° C

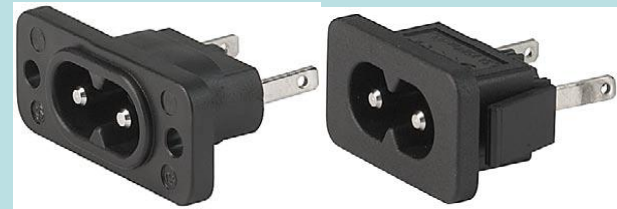
## Cord Retainer

- > Screw mount



## Appliance Inlets IEC C8

- > 2576 Screw on mounting from front side
- > 2578 Snap-In mounting from front side
  - > Fits panel thickness 1.5, 2, 2.5, 3 mm
- > Quick connect, solder terminals



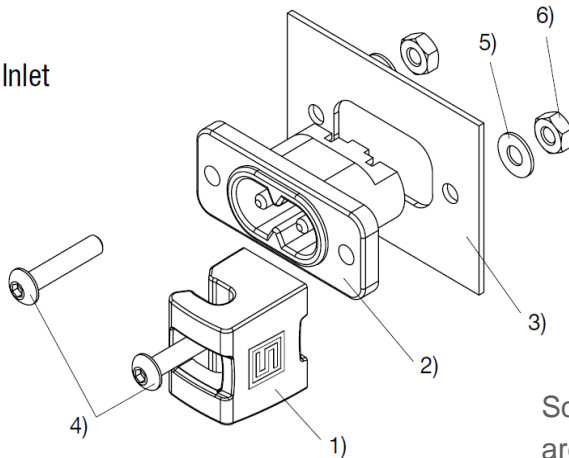
## Cordsets

- > 6010 2 & 4 meter for US
- > 6013 2 & 4 meter for EU



## Mounting instructions 2576

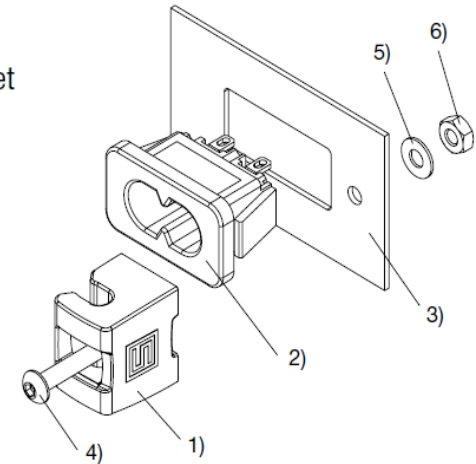
- 1) Retainer
- 2) Appliance Inlet
- 3) Panel
- 4) Screws
- 5) Washer
- 6) Nut



Screws, nuts and washers are not included in the kit

## Mounting instructions 2578

- 1) Retainer
- 2) Appliance Inlet
- 3) Panel
- 4) Screws
- 5) Washer
- 6) Nut



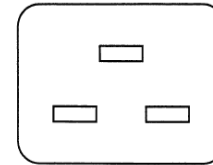
[YouTube Installation video posted on Schurter Website](http://www.youtube.com/watch?v=ett1luNlSlc&feature=youtu.be)  
<http://www.youtube.com/watch?v=ett1luNlSlc&feature=youtu.be>



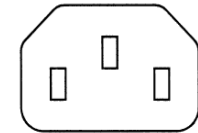
SCHURTER offers a broad range of cord retaining devices



**V-Lock, inlets: C14 and C20**  
**UL rating: up to 15A 125 VAC**  
**IEC rating: up to 16A 250VAC**



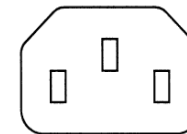
C20



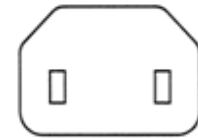
C14



**Wire bail for C14/C17**  
**UL rating: up to 10A 15 VAC**  
**IEC rating: up to 10A 250VAC**



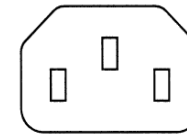
C14



C17



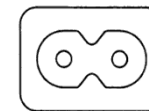
**Clamp for C14**  
**UL rating: up to 10A 15 VAC**  
**IEC rating: up to 10A 250VAC**



C14



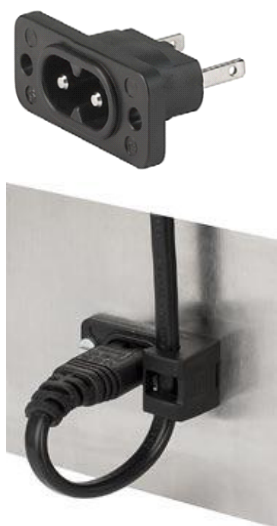
**Cord-retaining, C8**  
**UL rating: up to 7A 15 VAC**  
**IEC rating: up to 2.5A 250VAC**



C8

**Cord-retaining C8 saves 34% of space in comparison to the C14/C17 wire bail solution**

# C8 Retaining Kit - 2576

2576	Kit P/N includes	Standalone Part Numbers				
	Inlet, Cable, Retainer	2576 Appliance Inlet	Cable	Country	Cord Length [m]	Retainer
	6160.0108	6160.0021	6010.5274	USA	2.0	0098.9273
	6160.0109	6160.0021	6010.5278	USA	4.0	0098.9273
	6160.0110	6160.0021	6013.0474	EU	2.0	0098.9273
	6160.0111	6160.0021	6013.0478	EU	4.0	0098.9273
	6160.0112	6160.0058	6010.5274	USA	2.0	0098.9273
	6160.0113	6160.0058	6010.5278	USA	4.0	0098.9273
	6160.0114	6160.0058	6013.0478	EU	2.0	0098.9273
	6160.0115	6160.0058	6013.0474	EU	4.0	0098.9273
	6161.0116	6160.0022	6010.5274	USA	2.0	0098.9273
	6162.0117	6160.0022	6010.5278	USA	4.0	0098.9273
	6163.0118	6160.0022	6013.0474	EU	2.0	0098.9273
	6164.0119	6160.0022	6013.0478	EU	4.0	0098.9273
	6164.0120	6160.0028	6010.5274	USA	2.0	0098.9273
	6164.0121	6160.0028	6010.5278	USA	4.0	0098.9273
	6164.0122	6160.0028	6013.0474	EU	2.0	0098.9273
	6164.0123	6160.0028	6013.0478	EU	4.0	0098.9273

# C8 Retaining Kit - 2578

2578 	Kit P/Number included	Standalone Part Numbers				
	Inlet, Cable, Retainer	2578 Appliance Inlet	Cable	Country	Cord Length [m]	Retainer
	6160.0124	6163.0016	6010.5274	USA	2.0	0098.9274
	6160.0125	6163.0016	6010.5278	USA	4.0	0098.9274
	6160.0126	6163.0016	6013.0474	EU	2.0	0098.9274
	6160.0127	6163.0016	6013.0478	EU	4.0	0098.9274
	6160.0128	6160.0074	6010.5274	USA	2.0	0098.9274
	6160.0129	6160.0074	6010.5278	USA	4.0	0098.9274
	6160.0130	6160.0074	6013.0478	EU	2.0	0098.9274
	6160.0131	6160.0074	6013.0474	EU	4.0	0098.9274
	6160.0132	6160.0029	6010.5274	USA	2.0	0098.9274
	6160.0133	6160.0029	6010.5278	USA	4.0	0098.9274
	6160.0134	6160.0029	6013.0474	EU	2.0	0098.9274
	6160.0135	6160.0029	6013.0478	EU	4.0	0098.9274
	6160.0136	6160.0031	6010.5274	USA	2.0	0098.9274
	6160.0137	6160.0031	6010.5278	USA	4.0	0098.9274
	6160.0138	6160.0031	6013.0474	EU	2.0	0098.9274
	6160.0139	6160.0031	6013.0478	EU	4.0	0098.9274

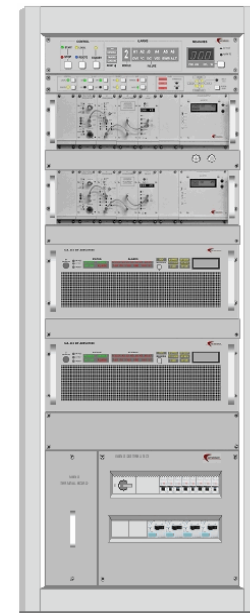
## Medical



## Audio



## Computers & Network



## Broadcasting



[2576 C8 Inlet](#)  
[2578 C8 Inlet](#)  
[2576 Retaining Kit](#)  
[2578 Retaining Kit](#)  
[Retainer – Sold Separately](#)

Website Enables Quick access to Sales and Marketing Materials

Click on [Partner Services](#)

- > Download training presentation, press release and price lists
- > Download high and low resolution product images