

# Uninterruptible power supply PVUA 24/24-10



## Advantages

Electronic overcurrent and short circuit protection
Active current limiting in the event of an error
Automatic detection of connected battery module
Reliable early warning signal when battery life expectancy is declining
Extended life expectancy through temperature controlled battery management
Service-friendly spring-loaded connector system
Isolated signal contact
Reverse polarity protection
Exhaustive discharge protection for batteries
Interface to visualize and adjust relevant data
Current and voltage monitoring
Active signal outputs for watchdog functions
RS-232 interface
Reliable supply of industrial PC's

## Applications

The charge- and control unit controls and monitors the battery module, warns reliably if the life expectancy of the battery is low and provides information on the charge status und the remaining time during buffering. All relevant data can be shown on the integrated display or accessed thought the build in data interface.

## Standards

Uninterruptible power supply  
to UL 60950, UL 508

Safety:  
EN 60950, EN 60950 (SELV), EN 60204 (PELV)

EMC:  
EN 61000-6-3 (Interference emissions), EN 61000-6-2 (Interference immunity)

## Approvals



UL/CSA 60950 recognised, UL508 listed

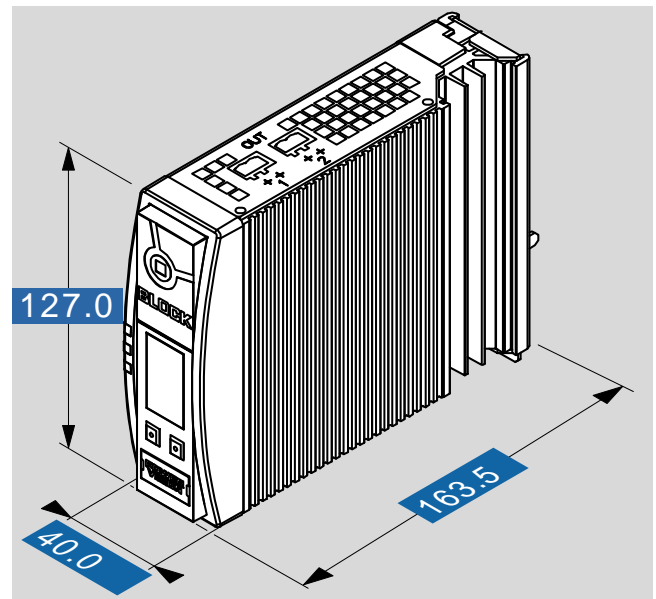


# Uninterruptible power supply

## PVUA 24/24-10

Type	PVUA 24/24-10
<b>Electrical data</b>	
<b>Input</b>	
Input rated voltage	24 Vdc
Input voltage range	18 - 29 Vdc
Current input (idle/charging/max.)	0.1 / 0.8 / 10.8 A
Switching threshold for buffer mode	20 - 25.5 Vdc
<b>Output</b>	
Output voltage normal operation	typ. U <sub>in</sub> - 1 Vdc (10 A)
Output rated voltage, battery mode	typ. battery voltage - 1 Vdc (10 A)
Output rated voltage	24 Vdc
Resistance to reverse feed max.	35 Vdc
Output rated current	10.00 A
Internal fuse	15 A (slow-blow)
Overload behaviour	Constant current with cyclic shutdown
Parallel connection	No
Serial operation	No
max. Power loss idling/nominal load	15 / 20 W
Efficiency	typ. 95.4 %
<b>Storage medium</b>	
Type of the storage medium	Accumulator, external
Rated charging voltage	24 Vdc
Charge voltage range	26 to 29.5 Vdc
Temperaturnachführung der Ladespannung	automatical or manual
Charging current	max. 0.6
Recommended storage medium	24 Vdc / 1.2 Ah, 3.2 Ah, 7 Ah, 12 Ah
<b>Signaling</b>	
Operating status	LED green, LED red, LED yellow
Potential free signal contact	Changeover contact, configurable
Active signal outputs	3 x 24 Vdc, 2 configurable
Remote shutdown in buffer mode operation	Yes (break contact)
Display, interface	Yes, RS 232
<b>Standards</b>	
Classification	Uninterruptible power supply
<b>Approvals</b>	
Approvals	cURus, cULus
<b>Environment</b>	
Ambient temperature	-10° C to +60° C
Storage temperature	-25° C to +85° C
<b>Safety and protection</b>	
Protection index	IP 20
<b>Accessory</b>	
Connector for signalling	PV-CON (optional)
Adapter cable for interface	PV-KOK2 (optional)
Side DIN Rail mounting	PV-TS35M (optional)
Direct screw fastening plate for lateral mounting	PV-WB2 (optional)
<b>Order numbers</b>	
<b>Order Number</b>	<b>PVUA 24/24-10</b>

Type	PVUA 24/24-10
<b>Mechanical data</b>	
<b>Terminal and mounting</b>	
Connections input, (spring clamp terminal, pluggable)	max. 2.5 mm <sup>2</sup>
Connections output, (spring clamp terminal, pluggable)	max. 2.5 mm <sup>2</sup>
Connections signalling, (spring clamp terminal, pluggable)	max. 0.5 mm <sup>2</sup>
Connections storage medium, (spring clamp terminal, pluggable)	max. 2.5 mm <sup>2</sup>
Mounting position	vertical
Fixing method	DIN Rail system TH 35
<b>Measures and weights</b>	
Weight	0.80 kg



Subjects to change.