

Three phase, non stabilised universal dc power supply **UDNC 24-36 C**



Advantages

Unsusceptible to voltage surges or transients
High overload capacity
DC OK signalling via LEDs
Capacitor accessories
Very good corrosion protection and low noise thanks to BLOCKIMPEX vacuum impregnation
Impulse loading MKT-capacitors
Varistor wiring
Contact protected screw connection terminals complying with UVV BGV A3

Applications

Rugged DC power supply for harsh industrial applications.

Standards



Non-stabilised dc power supply / Safety isolating transformer to VDE 0570 part 2-6, EN 61558-2-6, IEC 61558-2-6, UL 1012

Approvals



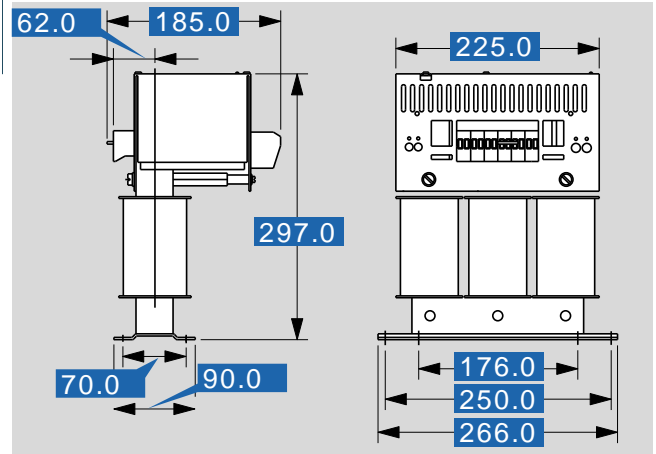
UL 5085-1/-2, CSA 22.2 No.66



Three phase, non stabilised universal dc power supply **UDNC 24-36 C**

Type		UDNC 24-36 C
Electrical data	Input	Delta-connection: 3x200 Vac/230 Vac/240 Vac/ 266 Vac/289 Vac/332 Vac Star-connection: 3x346 Vac/400 Vac/415 Vac/ 460 Vac/480 Vac/500 Vac/ 575 Vac/600 Vac 50 - 60 Hz
	Input rated voltage	
	Rated frequency	
	Output	
	Output rated voltage	24 Vdc
	Power	864.00 W
	Output rated current	36.00 A
	Ripple factor	2 %
	Standards	
	Classification	Three phase non-stabilised universal dc power supply / safety isolating transformer
	Approvals	
	Approvals	cURus (transformer only)
	Environment	
	Ambient temperature max.	60° C
	Cooling method	by self cooling
Safety and protection		
Type	open type	
Class of Insulation System	VDE=B, UL=class 130	
Protection index	IP 00	
Safety class (prepared)	I	
Short circuit strength	non-short-circuit proof	
Order numbers		
Order Number	UDNC 24-36 C	

Type		UDNC 24-36 C
Mechanical data	Terminal and mounting	
	Terminals	Screw-type terminals
	Fixing method	Base plate
	Fixing screws	M6
	Measures and weights	
	Weight	16.40 kg



Subjects to change.