

Battery module **PVAF 24/7Ah**



Advantages

Automatic detection of connected battery module

Reliable early warning signal when battery life expectancy is declining

Extended life expectancy through temperature controlled battery management

Service-friendly spring-loaded connector system

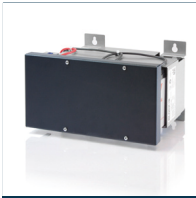
Applications

Battery module for building a secure 24-Vdc power supply in case of power failure.

Approvals



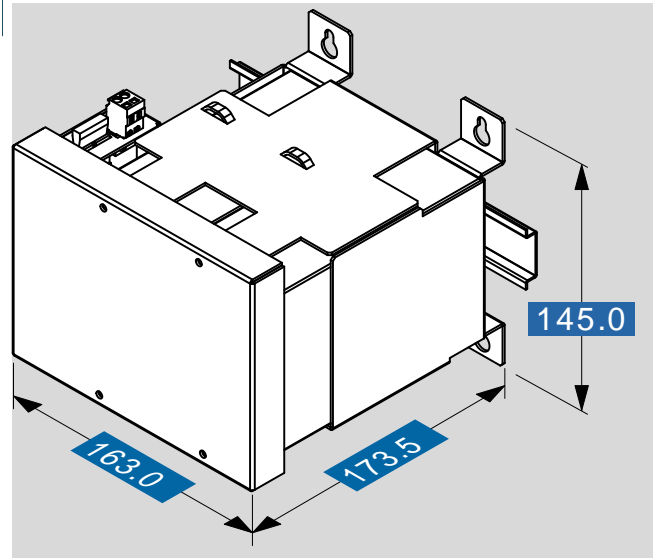
UL 508 (E219022)



Battery module PVAF 24/7Ah

Type		PVAF 24/7Ah
Electrical data	Input	
	Input rated voltage	24 Vdc
	Rated capacity	7.0 Ah
	Output	
	Output rated voltage	24 Vdc
	Output rated current	max. 40 A
	Internal fuse	2x25 A (slow-blow)
	Parallel connection	Yes
	Environment	
	Ambient temperature	-10° C to +40° C
	Storage temperature	-20° C to +40° C
	Service life	5 years by +20° C
	Latest commissioning (only accumulators)	6 months by +30 - +40° C
	Safety and protection	
	Protection index	IP 20
Safety class	III, without PE connection	
Order numbers		
Order Number	PVAF 24/7Ah	

Type		PVAF 24/7Ah
Mechanical data	Terminal and mounting	
	Connections input / output (spring clamp terminal, pluggable)	max. 10 mm ²
	Connections temperature measurement, (spring clamp terminal, pluggable)	max. 2.5 mm ²
	Fixing method	Straps at the case
Measures and weights		
Weight	5.90 kg	



Subjects to change.