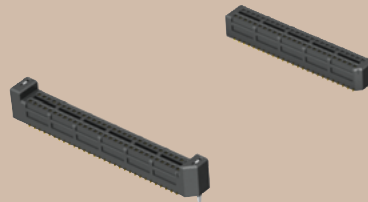




SEMS-125-02-03.0-H-D

SEML-145-02-03.0-H-D-WT



SEM-130-02-03.0-H-D-WT



SEM-110-02-03.0-H-D-WT

SEM, SEMS, SEML SERIES

(0,80 mm) .0315"

MICRO TIGER EYE™ SOCKET

SPECIFICATIONS

For complete specifications and recommended PCB layouts see www.samtec.com?SEM, www.samtec.com?SEMS or www.samtec.com?SEML

Insulator Material: Black Liquid Crystal Polymer
Contact Material: BeCu
Plating: Au or Sn over 50µ" (1,27 µm) Ni
Operating Temp Range: -55°C to +125°C
Current Rating (SEM/TEM): 2,6 A per pin (1 pin powered per row)
RoHS Compliant: Yes

Processing:
Lead-Free Solderable: Yes
SMT Lead Coplanarity: (0,10 mm) .004" max

SEM, SEML Mates with: TEM

SEMS Mates with: TEMS



TEM/SEM 6 mm Stack Height	Rated @ 3dB Insertion Loss*
Single-Ended Signaling	12 GHz / 24 Gbps
Differential Pair Signaling	17 GHz / 34 Gbps

*Test board losses de-embedded from performance data.
 Complete test data available at www.samtec.com?SEM or contact sig@samtec.com

High reliability Tiger Eye™ contacts

Choice of mated heights



- Passes 10 year MFG
- Locking clip option
- Weld tab option

ALSO AVAILABLE (MOQ Required)

- Other sizes
 - Other platings
- Contact Samtec.

28+ Gbps

Weld tab

RECOGNITIONS

For complete scope of recognitions see www.samtec.com/quality

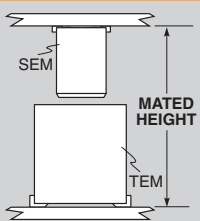


FILE NO. E111594

OTHER SOLUTIONS

- (1,27 mm) .050" board-to-board and cable-to-board Tiger Eye™ systems available.
 - Board Stacking: See SFM, TFM Series
 - Cable Assemblies: See SFSD, TFSD Series
- Contact Samtec.

MATED HEIGHT



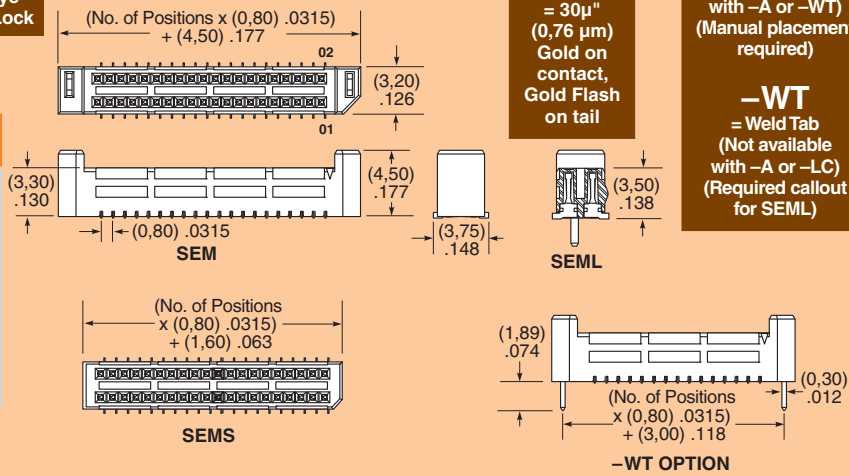
TEM LEAD STYLE	MATED HEIGHT*
-03.0	6 mm
-04.0	7 mm
-07.0	10 mm

*Processing conditions will affect mated height.

Note: Some sizes, styles and options are non-standard, non-returnable.

TYPE STRIP - 1 NO. PINS PER ROW - 02 STACK HEIGHT - PLATING OPTION - D - OPTION - OTHER OPTION

<p>SEM = Tiger Eye™ Strip</p> <p>SEMS = Tiger Eye™ Slim Strip</p> <p>SEML = Tiger Eye™ Friction Lock</p>	<p>05, 10, 15, 20, 25 30, 35, 40, 45, 50 (SEM/SEML only) (Standard sizes)</p>	<p>-03.0 = 6 mm, 7 mm or 10 mm Stack Height when mated with TEM/TEMS Series (SEML only available with 6 mm Stack Height)</p>	<p>-FG = Gold Flash</p> <p>-G = 10µ" (0,25 µm) Gold on contact, Gold Flash on tail</p> <p>-H = 30µ" (0,76 µm) Gold on contact, Gold Flash on tail</p>	<p>Leave blank for SEMS</p> <p>-A = Alignment Pin (Not available with -LC or -WT)</p> <p>-LC = Locking Clip (Not available with -A or -WT) (Manual placement required)</p> <p>-WT = Weld Tab (Not available with -A or -LC) (Required callout for SEML)</p>	<p>-K = (3,50 mm) .138" DIA Polyimide film Pick & Place Pad (Required for SEMS)</p> <p>-TR = Tape & Reel (Required for SEMS)</p>
---	---	--	---	---	--



Due to technical progress, all designs, specifications and components are subject to change without notice.

WWW.SAMTEC.COM