

140×140mm P L S
SAN ACE 140L



General specifications

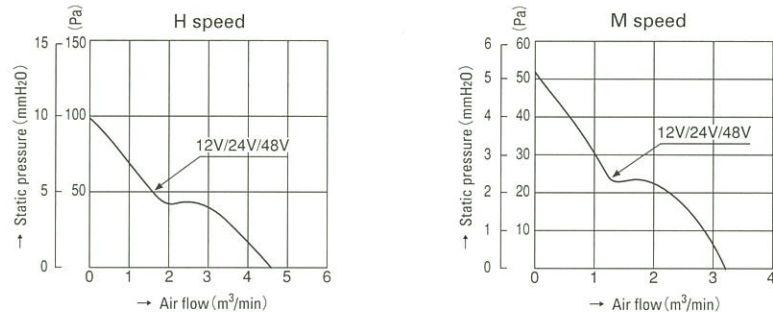
- Life expectancy 100,000 hours
(survival rate: 90% at 60°C, rated voltage, and continuously run in a free air state)
- Motor protection system Current cut system
(with reverse-connection protection)
- Dielectric strength 50/60 Hz, 500 VAC, 1 minute
(between lead conductor and frame)
- Operating thermally range - 10°C to + 60°C (non-condensing)
- Fan power lead H speed, ⊕ red, ⊖ black
M speed, ⊕ red, ⊖ blue

38mm thick

Specifications

Model No.	Rated voltage (V)	Operating voltage range (V)	Rated current (A)	Rated input (W)	Rated rotating speed (min ⁻¹)	Air flow (m ³ /min)	Static pressure (Pa (mmH ₂ O))	Noise (dB [A])	Mass (g)
109L1412H102	12	10.2 to 13.8	0.73	8.76	2,600	4.5	98(10)	46	600
109L1412M102			0.3	3.6	1,900	3.3	52(5.3)	38	
109L1424H102			0.37	8.88	2,600	4.5	98(10)	46	
109L1424M102	24	20.4 to 27.6	0.16	4.32	1,900	3.3	52(5.3)	38	
109L1448H102			0.2	9.6	2,600	4.5	98(10)	46	
109L1448M102			0.09	4.32	1,900	3.3	52(5.3)	38	

Typical air flow and static pressure characteristics



109L1412H102
109L1424H102
109L1448H102

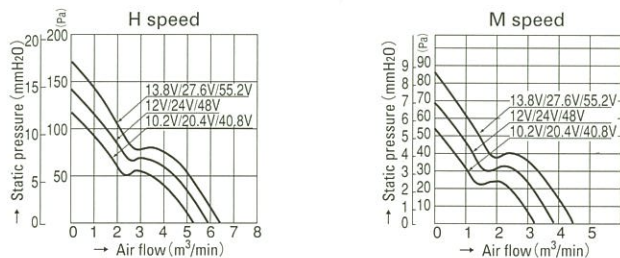
109L1412M102
109L1424M102
109L1448M102

51mm thick

Specifications

Model No.	Rated voltage (V)	Operating voltage range (V)	Rated current (A)	Rated input (W)	Rated rotating speed (min ⁻¹)	Air flow (m ³ /min)	Static pressure (Pa (mmH ₂ O))	Noise (dB [A])	Mass (g)
109L1412H502	12	10.2 to 13.8	1.4	16.8	3,200	5.9	142.1(14.5)	52	760
109L1412M502			0.46	5.52	2,100	3.9	68.6(7)	41	
109L1424H502			0.6	14.4	3,200	5.9	142.1(14.5)	52	
109L1424M502	24	20.4 to 27.6	0.21	5.04	2,100	3.9	68.6(7)	41	
109L1448H502			0.29	13.9	3,200	5.9	142.1(14.5)	52	
109L1448M502			0.12	5.76	2,100	3.9	68.6(7)	41	

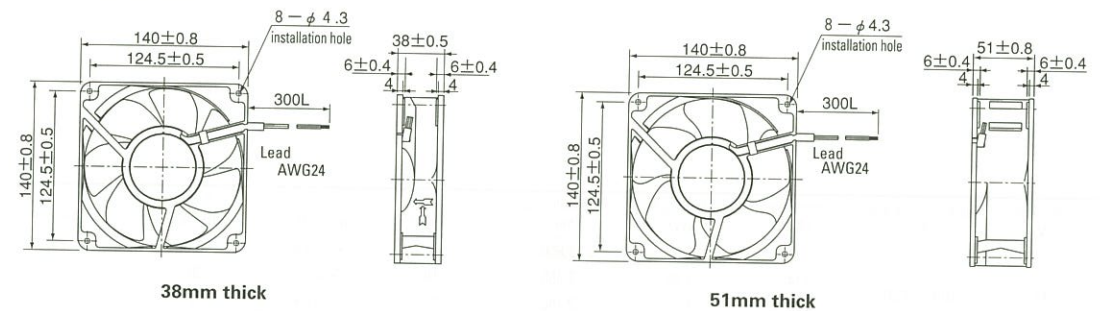
Typical air flow and static pressure characteristics



109L1412H502
109L1424H502
109L1448H502

109L1412M502
109L1424M502
109L1448M502

Dimensions (unit : mm)



Reference dimensional diagram for installation holes (unit : mm)

