

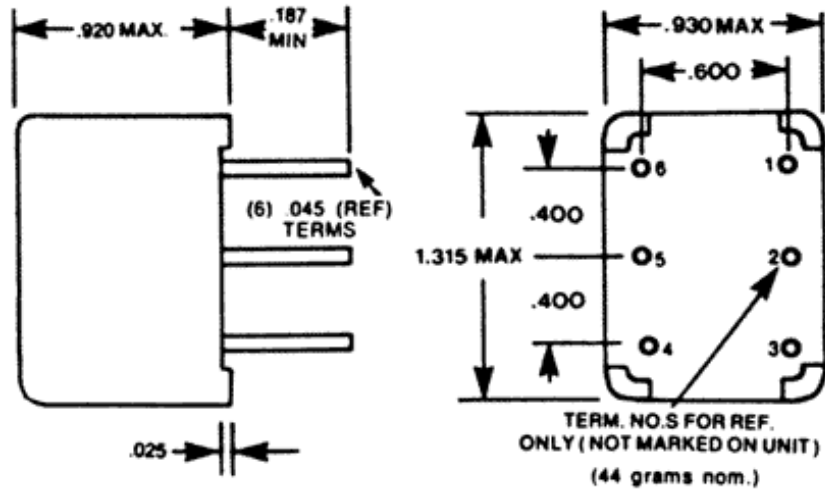
2W Audio Miniature Epoxy Potted 109 Series

PC Board Mount



Features

- Perfect for audio input, line matching, isolation or output transformer applications.
- 2 watt (+/- 1.5 db, 300Hz. - 50 KHz.).
- Epoxy potted in an attractive black molded case, Pin type P.C. board mount (min. 0.187" length).
- In some models where no center tap is required (on secondary), pin No. 5 is omitted.
- Power level ratings are maximum at lowest frequency rating (see charts & PDF spec. sheets below)
- Power can be increased slightly at higher frequencies. See individual PDF specs. for specifics.
- Will withstand soldering for 10 sec. @ 260 degrees C, ambient temp. 85 degrees C max.



Part No.	Nominal Impedance (Ohms)		D.C. Resistance (Ohms) +/- 20%		Max. D.C. Unbalance (ma.)
	Primary (Pins 1-3)	Secondary (Pins 4-6)	Primary (Pins 1-3)	Secondary (Pins 4-6)	
109E	600 ct	3.2	43	0.37	6
109F	600 ct	150 ct	43	15	6
109G	600 ct	250 ct	43	24	6
109H	600 ct	600 ct	43	60	6
109J	1K ct	600 ct	69	60	4.5
109K	1.5K ct	600 ct	105	60	4
109L	10K ct	3.2	700	0.37	1.5
109N	10K ct	600 ct	700	60	1.5
109R	10K ct	1.5K ct	700	150	1.5
109T	10K ct	10K ct	700	1000	1.5

