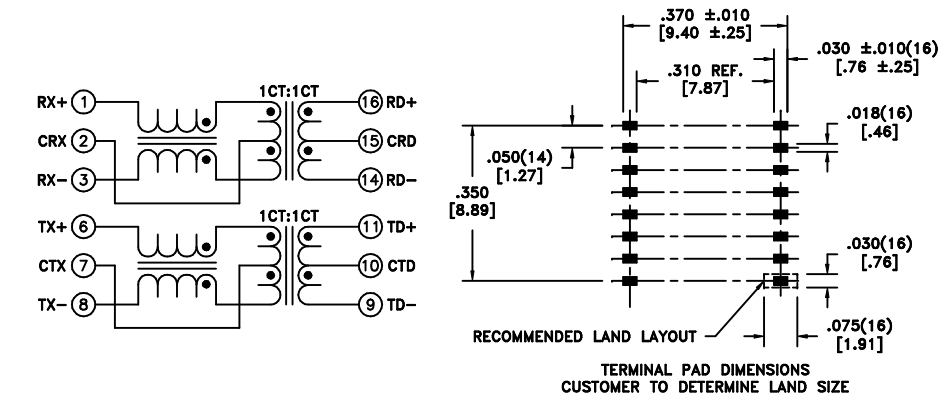
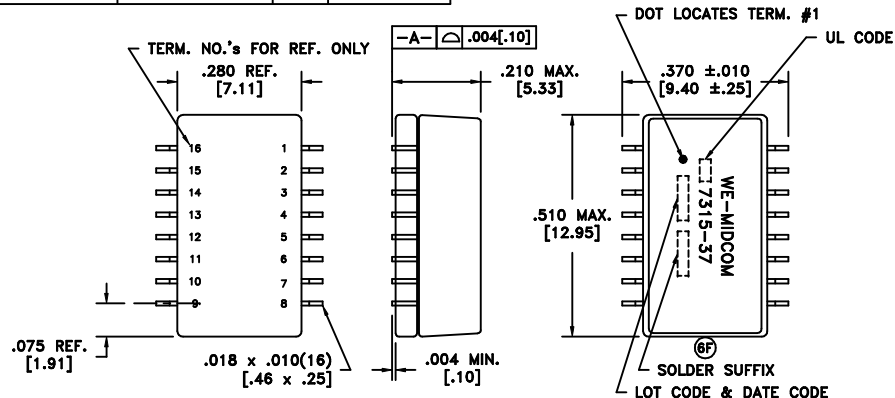


SOLDER SUFFIX	CUSTOMER TERMINAL	RoHS	LEAD(Pb)-FREE
	Sn63%, Pb37%	No	No
LF1	Sn96%, Ag4%	Yes	No

more than you expect



Nidcom



ELECTRICAL SPECIFICATIONS @ 25°C unless otherwise noted:

- INSERTION LOSS: -1.0dB max., 300k - 100MHz.
- DIELECTRIC RATING: 1500Vrms, 1 minute tested by applying 1875Vrms for 1 second between 1-16(tie 1+6, 16+11).
- INDUCTANCE: 350uH min., 100kHz, 100mVAC, 8mADC, 1-3; 6-8, Lp.
- RETURN LOSS: -18dB min., 300k - 30MHz.
-16dB min., 30M - 45MHz.
-14dB min., 45M - 60MHz.
-12dB min., 60M - 80MHz.
- URNS RATIO & POLARITY: Per Schematic.
- CROSSTALK: -65dB min., 1MHz.
-45dB min., 60MHz.
-55dB min., 30MHz.
-35dB min., 100MHz.
- CMDR: -40dB min., 300k - 100MHz.
- CMRR: -30dB min., 300k - 100MHz.
- OPERATING TEMPERATURE RANGE: -40°C to +85°C.
- COPLANARITY: All 16 terminals must lie on a plane within .004 [0.10] of Surface A after lead tinning.

Midcom p/n 000-7315-37R-LF1 is eiSos p/n: 749010014.

Ⓜ Mold flash, protrusions and gate burrs shall not exceed .006" [0.15mm] per side.

Ⓜ

Ⓜ

AGENCY NUMBER	
UL CODE	HB
FILE# E205930	

REV.	DATE	Packaging Specifications
PR6H	5/12	Method: Tape & Reel
6G	9/10	PKG-0339
6F	8/09	www.we-online.com/midcom
6E	8/08	SEE REVISION SHEET FOR



Tolerances unless otherwise specified:
 Angles: ±1° Decimals: ±.005 [0.13]
 Fractions: ±1/64 Footprint: ±.005 [0.13]

This drawing is dual dimensioned. Dimensions in brackets are in millimeters.

DRAWING TITLE
TRANSFORMER

eiSos p/n: 749010014



PART NO.
000-7315-37R/-LF1

SPECIFICATION SHEET 1 OF 1