



### Features:

- Universal / Full range AC input
- 2 pole IEC320-C8 (Fig-8) inlet
- Class II power (no earth pin)
- Fully enclosed attractive plastic case
- Small & Compact design
- Cost effective and high reliability
- Protections:  
Over Voltage, Short circuit & Over Temp.
- Approvals: GS, UL/cUL & CE
- Level V ErP/EuP efficiency compliant
- MTBF >50,000 hours
- 1 Year Warranty



Output Characteristics									
Part Number	T3586ST	T3587ST	T3588ST	T3589ST	T3590ST	T3628ST	T3591ST	T3592ST	T3594ST
Voltage	5Vdc	6Vdc	7Vdc	9Vdc	12Vdc	12Vdc	15Vdc	18Vdc	24Vdc
Current Max.	2.6A	3A	2.14A	1.7A	1.25A	2A	1.2A	1.33A	1A
Current Min.	0A	0A	0A	0A	0A	0A	0A	0A	0A
Power (watts)	13W	18W	15W	15W	15W	24W	18W	24W	24W
Line Regulation	+/- 1%	+/- 5%	+/- 5%	+/- 1%	+/- 1%	+/- 1%	+/- 5%	+/- 1%	+/- 1%
Voltage Tolerance	+/- 5%	+/- 5%	+/- 5%	+/- 5%	+/- 5%	+/- 5%	+/- 5%	+/- 5%	+/- 5%
Ripple & Noise (mV p-p)	150mV	100mV	100mV	100mV	150mV	200mV	120mV	200mV	200mV
Protections	Over Voltage: The output voltage shall be clamped by internal protection zener Short Circuit: Output shut down and auto restart Temperature: No ignition, smoke or deformation of the case								
Case Size (See below)	75x47.5x27.3	80.6x50x31	80.6x50x31	80.6x50x31	75x47.5x27.3	80.6x50x31	80.6x50x31	80.6x50x31	80.6x50x31
Weight	100g	120g	120g	110g	100g	110g	110g	110g	110g
DC Cord	1 Metre	1 Metre	1 Metre	1.5 Metre	1.5 Metre	1.5 Metre	1.5 Metre	1.5 Metre	1.5 Metre
DC Plug	R-A 2.1 C+ve	R-A 2.1 C+ve	R-A 2.1 C+ve	R-A 2.1 C+ve	R-A 2.1 C+ve	R-A 2.1 C+ve	R-A 2.1 C+ve	R-A 2.1 C+ve	R-A 2.1 C+ve

Input Characteristics									
Rated Input Voltage	100-240Vac								
Full Input Voltage Range	90-264Vac								
Rated Frequency	50-60Hz								
Full Frequency Range	47-63Hz								
Efficiency (min.)	75.34%	80.2%	80.2%	80.2%	79.15%	82.1%	80.3%	82.1%	82.1%
Input Current (RMS Max.)	400mA	500mA	500mA	500mA	400mA	0.8A	500mA	0.8A	0.8A
Inrush Current 115Vac: 230Vac:	30A Max. 60A Max.	40A Max. 80A Max.	40A Max. 80A Max.	40A Max. 80A Max.	30A Max. 60A Max.	50A Max. 100A Max.	40A Max. 80A Max.	50A Max. 100A Max.	50A Max. 100A Max.
Leakage Current	<0.25mA								
Input Power (no load)	<0.3W Max. (Level V ErP/EuP/CEC Compliant)								
AC Mains Inlet Plug	IEC320/C8 type (also known as Fig-8)								

Safety, Mechanical and Other Characteristics	
Range Model Designations	3A-165DA, 3A-186DA & 3A-242DA (specified individually on each product label)
Hi-Pot Specification (I.P. to O.P.)	3000Vac or 4242Vdc 10mA 1 min.
Insulation Resistance (I.P. to O.P.)	500Vdc to test the I.P.-O.P resistance not less than 100Mohm
Operating Temperature	0°C to 40°C
Storage Temperature	-10°C to 70°C
Operating Humidity	20% to 80%
Storage Humidity	10% to 90%
Safety Approvals	UL/CUL, GS, IRAM & PSE
EMI Standards	FCC Class B, CE & VCCI
PB-free	Yes. RoHS Compliant
MTBF	50K Hours (mean time before failure)



## Stontronics Ltd

Chancerygate Business Centre, Cradock Road, Reading, Berkshire, RG2 0AH.

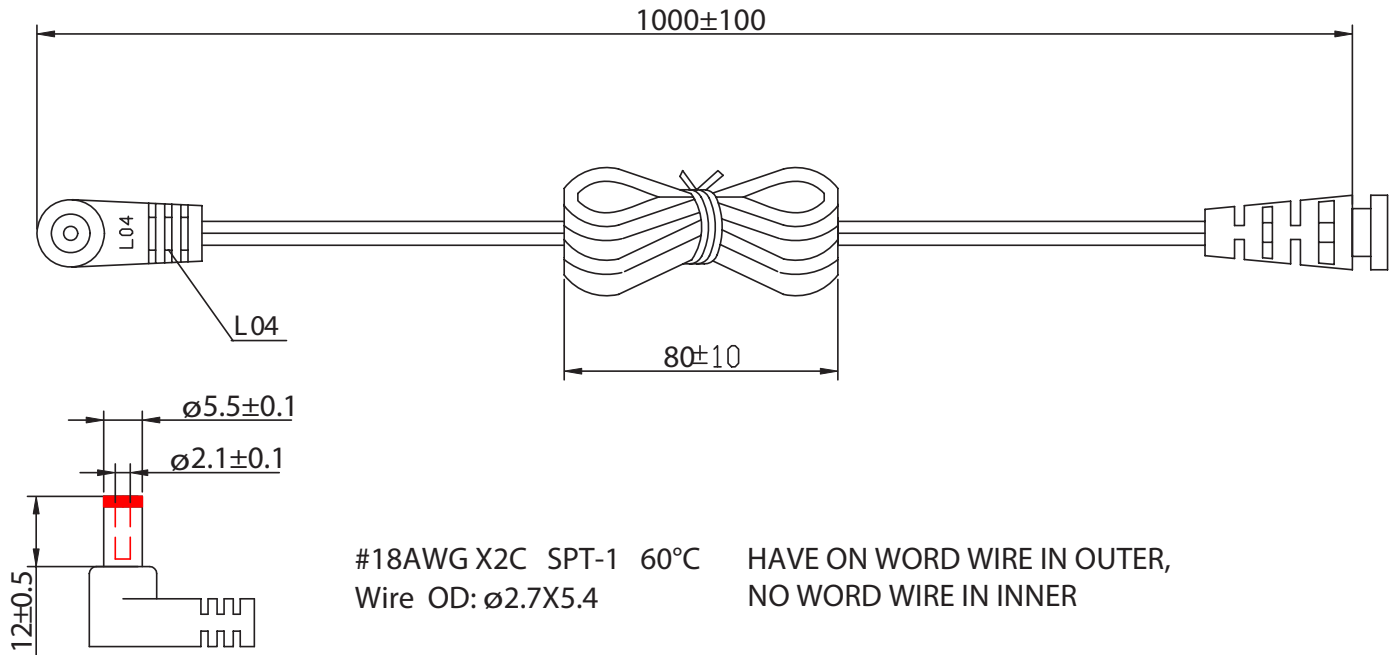
Tel: +44 (0) 118 931 1199 • Fax: +44 (0) 118 931 1145 • Email: info@stontronics.co.uk • Web: www.stontronics.co.uk

Please Note: Image shown is representative of entire range. Individual PSU image &/or drawings or data sheets available on request.

Stontronics Ltd accepts no responsibility for typographical errors in the production of this leaflet. Product specifications are subject to change without notice.

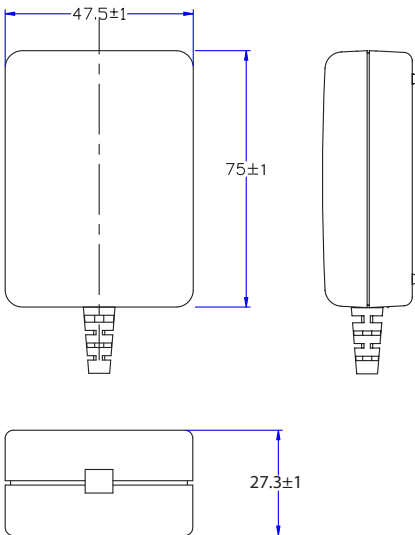
## DC Plug & Lead Drawing

- 1M DC Lead:

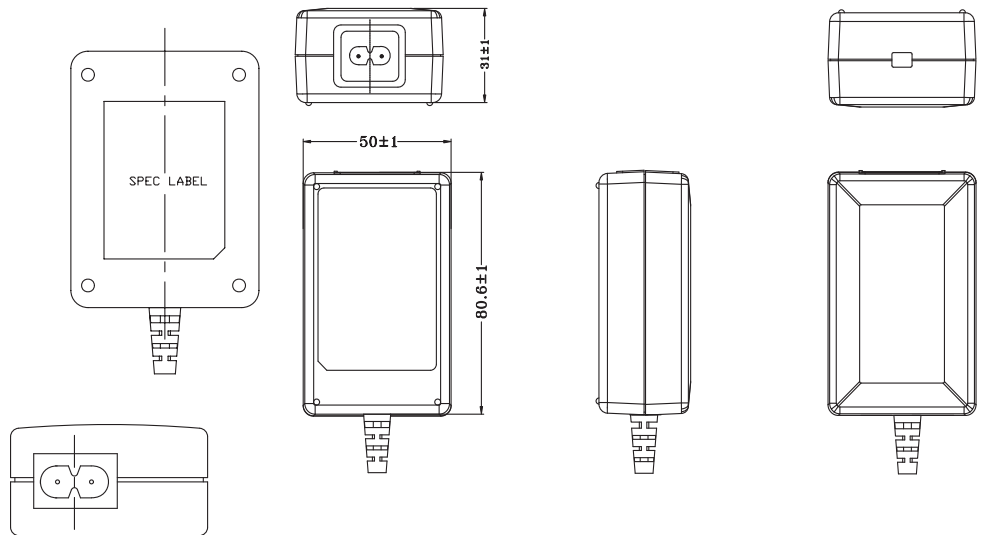


## Case Drawings

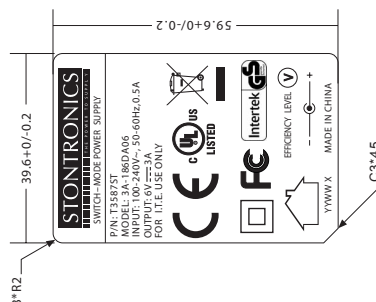
- 75x47.5x27.3mm:



- 80.6x50x31mm:



## Example Spec Label:



## Stontronics Ltd

Chancerygate Business Centre, Cradock Road, Reading, Berkshire, RG2 0AH.

Tel: +44 (0) 118 931 1199 • Fax: +44 (0) 118 931 1145 • Email: info@stontronics.co.uk • Web: www.stontronics.co.uk

Please Note: Image shown is representative of entire range. Individual PSU image &/or drawings or data sheets available on request.

Stontronics Ltd accepts no responsibility for typographical errors in the production of this leaflet. Product specifications are subject to change without notice.