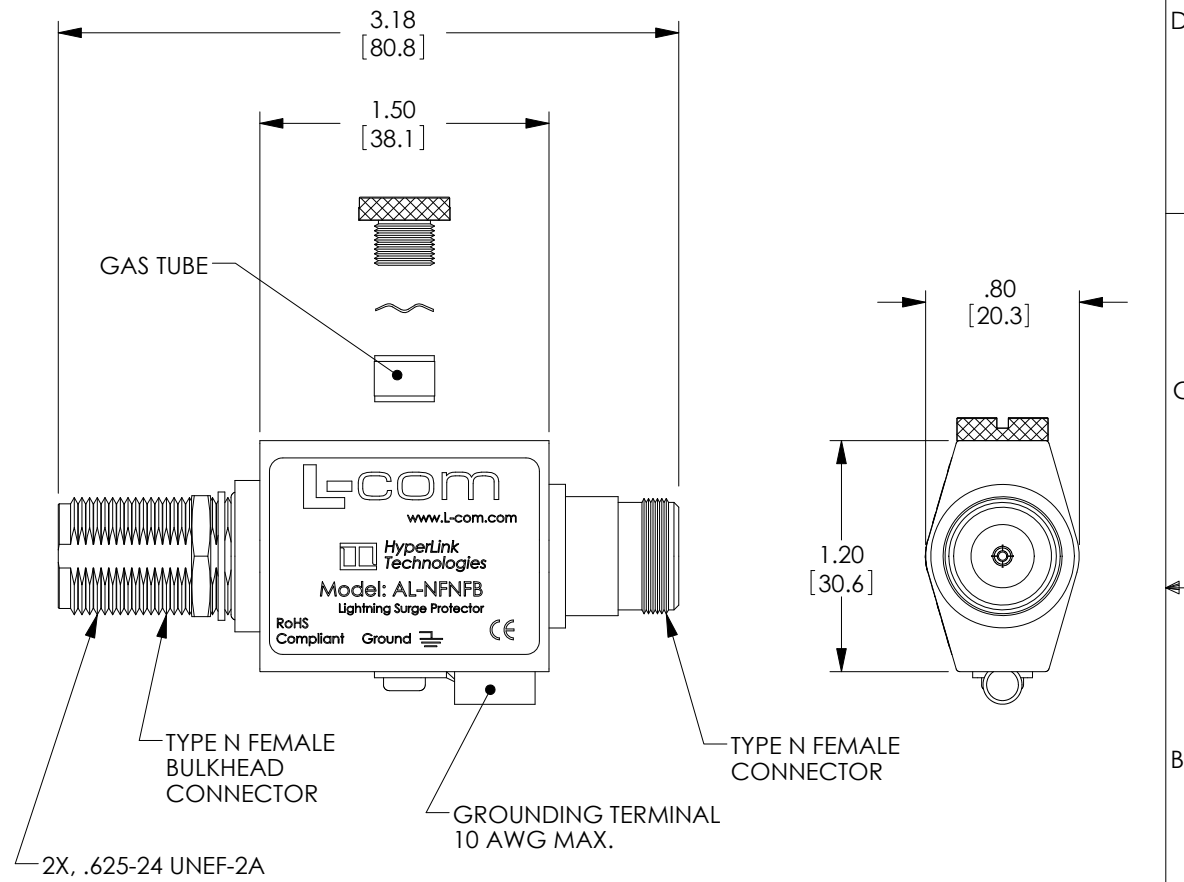
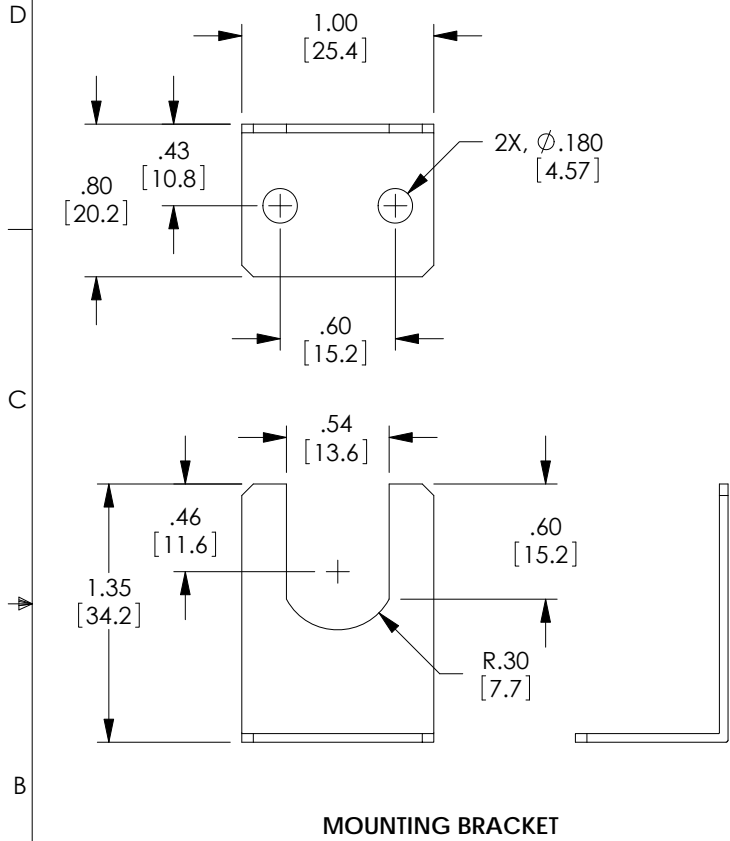


THE INFORMATION CONTAINED IN THIS DRAWING IS THE SOLE PROPERTY OF L-COM, INC. ANY REPRODUCTION IN PART OR WHOLE WITHOUT THE WRITTEN PERMISSION OF L-COM, INC. IS PROHIBITED.

REVISIONS			
REV	DESCRIPTION	DATE	APPROVED
A	INITIAL RELEASE	9/9/03	P.PESA
B	ECN 5147: CREATE MODEL, NEW DRAWING FORMAT	11/16/10	D.FRISIELLO



**NOTES:**

1. MOUNTING BRACKET MATERIAL: .05 [1.27] THK ALUMINUM.
2. PROTECTOR MATERIAL:  
 BODY: ALUMINUM  
 CONTACT: GOLD PLATED BRASS  
 INSULATOR: PTFE
3. COMPONENTS SHALL BE PACKAGED IN ACCORDANCE WITH L-COM SPECIFICATIONS.

**RoHS Compliant** ✓

**PRELIMINARY DRAWING**  
 (DO NOT USE FOR PRODUCTION PURPOSES)

UNLESS OTHERWISE SPECIFIED, DIMENSIONS ARE IN INCHES [mm] OVERALL CABLE LENGTH TOLERANCE: ≤12 [305] = +1 [25] / -0 >12 [305] ≤60 [1524] = +2 [51] / -0 >60 [1524] ≤120 [3048] = +4 [102] / -0 >120 [3048] ≤300 [7620] = +6 [152] / -0 >300 [7620] = +3% / -0% ALL OTHER DIMENSIONAL TOLERANCES: .X = ±.2 .XX = ±.02 .XXX = ±.005	APPROVALS DRAWN BY: D.FRISIELLO CHECKED BY: D.CASTRO APPROVED BY: K.BURGNER	DATE 11/16/10 11/16/10 11/16/10	45 BEECHWOOD DRIVE NORTH ANDOVER, MA 01845	
	CONFIGURATION DETAILS OF UNDIMENSIONED FEATURES MAY VARY			CATEGORY <b>LIGHTNING PROTECTOR</b>
	PROJECTION 	COLOR VARIATIONS MAY OCCUR	SIZE <b>A</b> FSCM NO. <b>43321</b> DWG. NO. <b>AL-NFNFB</b>	PRODUCT DESCRIPTION <b>SURGE PRO 0-3GHZ N-F/N-FB</b>
	SCALE: NONE CAD FILE: AL-NFNFB.SLDDRW		SHEET 1 OF 1	REV. <b>B</b>