

PHE-3FBE1

RS-232C / PC Controlled Signal Tower



LED



2 Alarm Sounds

85dB at 1m

Ø40

Network



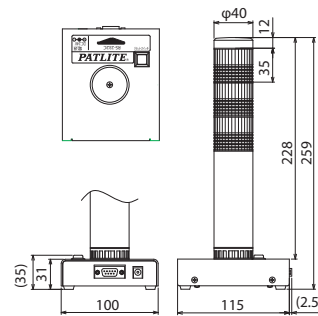
• This product requires the knowledge to program with ASCII commands to output through an RS-232C port.

Signal Tower can be controlled directly by PC through RS-232C.

FEATURES

- Alarm is adjustable up to 85dB at 1m
- High-volume alarms (two patterns) can be heard even in a noisy factory.
- Bright LED signal tower
- PATLITE's original double reflection system with its exclusive hybrid prism-cut lens and 3 color LED modules create distinctive illumination that is bright and even.
- Light and alarm functions can be turned off by pressing the reset switch on the base.

Dimensions



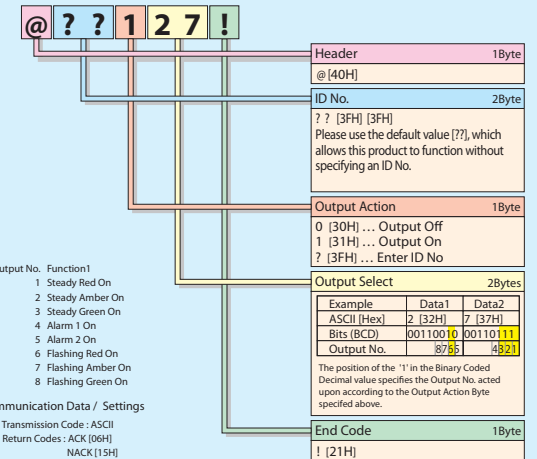
(Unit: mm)

Specifications

	Model	PHE-3FBE1
Communication Protocol	Interface	RS-232C (Based on EIA)
	Method	Half-duplex, Full-duplex, Asynchronous
	Baud Rate	9,600 bps
	Data Bit	8 bit
	Stop Bit	1 bit
	Parity Bit	None
	Flow Control	None
Signal Tower Specifications	I/O Port	D-sub 9 pin Male Connector
	Flashing Rate	60 flashes per minute
	Sound Level	Adjustable from 70dB to 85dB (at 1m)
	Tone Pattern	2 Alarms (Slow Intermittent, Fast Intermittent)
PHE Base Specifications	Dimensions (mm)	100(W) x 259(H) x 115(D)
	Power Supply Source	AC Adaptor (Sold Separately)
	Power Consumption	6.5W
	Operating Temperature Range	0°C to +40°C
	Humidity	20 to 80% RH (No Condensation)

PHE-3FBE1 / PHC-100A Control

ASCII Command String



• The above example shows how to turn on the following output numbers : 6, 3, 2, 1