

QXD & VECTOR RANGE

this product information has been extracted from

theheatingbook



Tel: Customer Services: 0870 727 0101

Fax: Customer Services: 0870 727 0102

Email: customer.services@glendimplex.com **Website:** www.dimplex.co.uk



Model QXD3000



Model Patio Vector VR20RP

NEW
PATIO MODEL

Quartzray® heaters the QXD and Vector ranges

Quartz heaters are ideal for heating areas where it would not be practical or cost effective to raise the overall ambient temperature. They provide the solution to heating areas which might otherwise be considered unheatable, such as factories, workstations, warehouse loading bays, community halls and churches. In fact the possible applications for Quartz heating are almost limitless.

Quartz heaters work by providing a highly directional beam of radiant heat, rather like the heating effect of the sun. The short wavelength at which energy is emitted means that heat passes through the air far more effectively than from conventional heaters. This means heat up time is almost instantaneous and the 'throw' of heat is considerably greater than conventional heating appliances, allowing higher mounting levels.

Two ranges are available. The QXD range has compact dimensions and a universal bracket allowing precise adjustment in horizontal or vertical planes.

The slimline Vector models are fitted with the "sought-after" gold lamp which offers low glare and up to 15% greater heat transmission making them ideal where appearance is important. The 2kW 'Patio Vector' model has been designed to allow external mounting in patio areas making it perfect for those long summer evenings.

QUARTZRAY® FEATURES

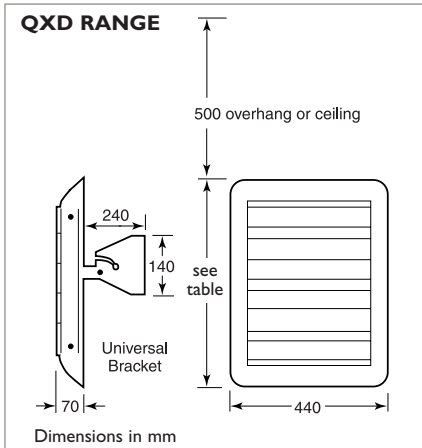
- Instant heat – no waiting around or pre-heating needed.
- Highly efficient – by heating people and not the air around them, heating within larger, higher heat loss buildings is possible.
- Low running costs – heats only the area that needs heating, not the whole building.
- Silent operation.
- QXD models have a ruby lamp and provide a warm red glow.
- Vector models have a gold lamp for 15% greater heat transmission and reduced glow.
- Patio Vector (VR20RP) designed for permanent patio installations.

QUARTZRAY® HEATERS

SPECIFICATIONS AND DIMENSIONS

MODEL NO.	INPUT LOADING	NUMBER OF LAMPS	ELECTRICAL SUPPLY	DIMENSIONS HEIGHT	DIMENSIONS LENGTH	WEIGHT	MINIMUM HEIGHT	RECOMMENDED HEIGHT#	LAMP GUARD	PRODUCT GUARD
QXD1500	1.5kW	1	230-240V~1PN	256mm	440mm	3.7kg	2.1m	2.5m	QX9310	DXG15
QXD3000	3.0kW	2	230-240V~1PN	380mm	440mm	4.3kg	2.5m	3.5m	QX9311	DXG18
QXD4500	4.5kW	3	230-240V~1PN	506mm	440mm	5.8kg	3.0m	4.0m	QX9312	DXG17
VR15	1.5kW	1	230-240V~1PN	112mm	420mm	3.3kg	1.8m	2.3m	QX9902	-
VR20RP	2.0kW	1	230-240V~1PN	150mm	423mm	3.7kg	1.8m	2.3m	QX9902	-

* Available from Norfolk Industries on (tel) 01603 667957 or (fax) 01603 624265. # Calculated at medium intensity (95W/m²).



BODY

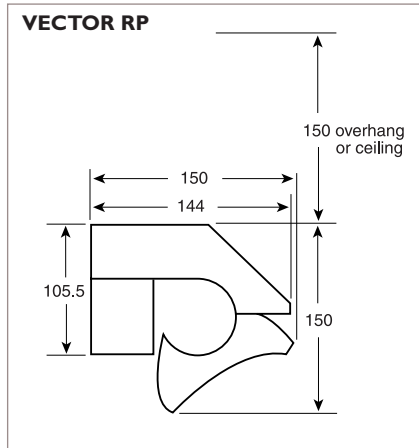
Powder coated steel. Finished in Matt Black.

REFLECTOR

Specular quality electrochemically brightened aluminium (purity; 99%+).

LAMPS

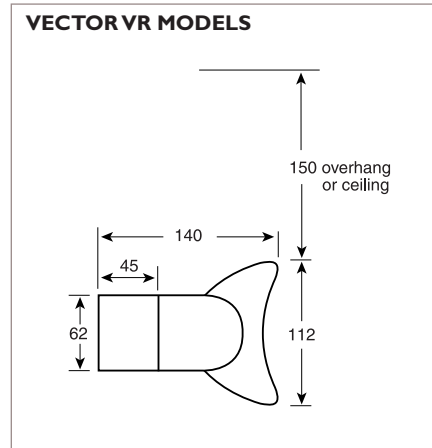
QXD – Ruby sleeved halogen lamp with tungsten element.



VR – Gold coated halogen lamp with tungsten element. These lamps operate at about 2,200°C and emit shortwave infra-red radiant heat.

ELECTRICAL SUPPLY

All models can be installed in conjunction with zone and time controls as required. If miniature circuit breakers are to be used, to avoid nuisance tripping due to the high in-rush current at switch



on, a type C MCB with a tripping co-efficient of 5–10 times rated current should be used.

HAZARDOUS AREAS

Quartz heaters must not be positioned within hazardous areas. Quartz heaters are not recommended for use in particularly dusty environments.

PASSIVE INFRA RED DETECTOR SWITCH MODEL DX4130

- Compatible with Quartz heating up to 3kW output.
- Automatically switches the heater on or off, depending on whether the area below the heater is occupied.
- Time delay adjustment.
- Full 180° coverage over 15m if required.
- Size of detection area can be reduced.
- Approved to VDE 0632 and IEC 669-2-1.
- Separate wall-box and plug-in detector-lead to simplify installation.
- IP54 rated.

FULLY ADJUSTABLE HEAD

Detector head is fully adjustable in both vertical and horizontal planes to provide maximum flexibility.

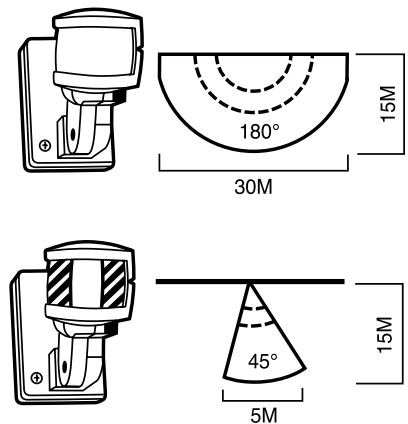
RANGE AND ANGLE DETECTION LIMITERS

Range and angle of detection can be limited by adjusting detector head and/or by using lens masking plates provided, to prevent accidental or unwanted triggering.

OPERATING VOLTAGE

220V – 240V AC.

EXAMPLE OF EFFECT ACHIEVED BY USING MASKING PLATES



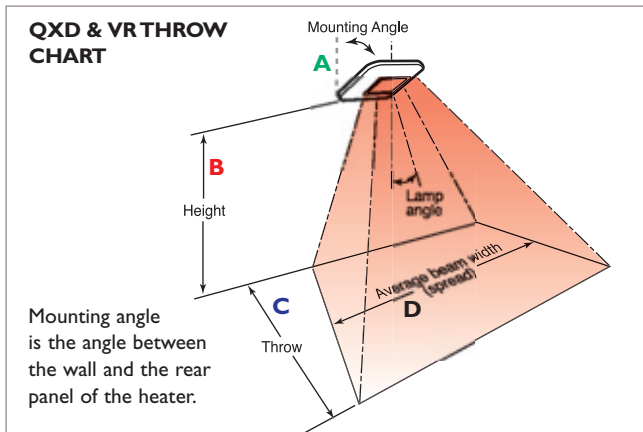
MODEL	DX4130
SWITCHING CAPABILITY	Up to 3kW Quartz Halogen
OPERATING POWER	3W
DETECTION RANGE	15 metres max
DETECTION ANGLE	180°
HEATER ON TIME	Adjustable to 10 seconds, 20 seconds, 40 seconds, 1.25 minutes, 2.5 minutes, 5 minutes, 11 minutes or 21 minutes.
DIMENSIONS	130mm(H) x 85mm(W) x 145mm(D)
COLOUR	Grey

QXD SPREAD & THROW CHARTS

HEIGHT B	QXD1500		QXD3000		QXD4500	
	THROW C	SPREAD D	THROW C	SPREAD D	THROW C	SPREAD D
2.1m	2.5m	2.5m				
2.5m	3.4m	3.7m	4.2m	4.0m		
3.0m	4.5m	5.2m	5.0m	4.5m	5.0m	5.0m
3.5m			5.7m	5.7m	6.0m	6.1m
4.0m			6.4m	6.2m	7.1m	6.9m
4.5m					8.2m	7.8m

A All figures are for 45° mounting angle (for 30° mounting angle increase throw by 1.75 x)

- High intensity (120 W/m²)
- Medium intensity (95 W/m²)
- Low intensity (70 W/m²)



VR SPREAD & THROW CHARTS

HEIGHT B	VR15		VR20RP	
	THROW C	SPREAD D	THROW C	SPREAD D
1.8m	1.6m	3.0m	1.7m	3.0m
2.0m	1.9m	3.5m	2.0m	3.5m
2.3m	2.4m	3.5m	2.5m	3.5m
2.5m	2.9m	3.5m	3.0m	3.5m
2.7m	2.4m	3.5m	2.5m	3.5m

A All figures are for 45° mounting angle

- High intensity (160 W/m²)
- Medium intensity (125 W/m²)
- Low intensity (115 W/m²)

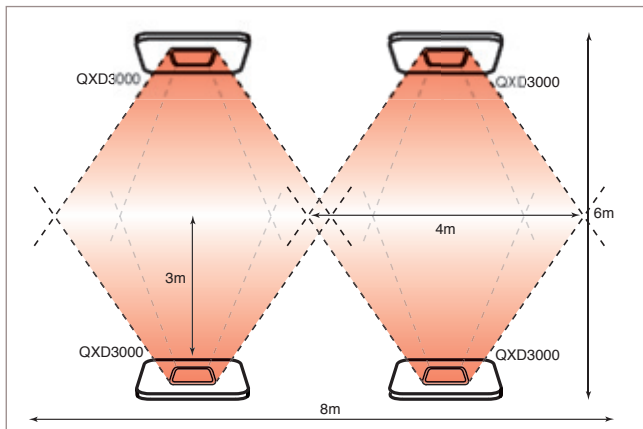
PRODUCT INSTALLATION

APPLICATIONS

- Inactive (churches/dressing rooms)
- Light work (workshops/desk working/despatch areas)
- Heavy work (factories/loading bays/open air construction)

Note: All the above applications are dependant on the area heated and the heat-loss within the building structure. Please contact our heating design service with your requirements.

✓ CORRECT POSITIONING

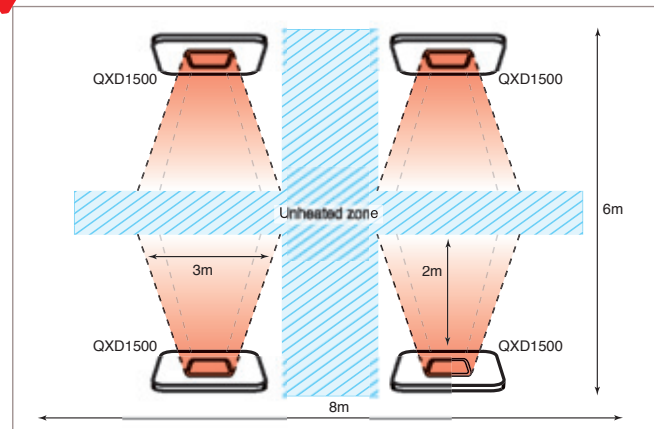


Heaters must be installed so they overlap heated areas and heat from both sides for optimum effect.

All heaters must always be mounted on a secure surface.

Do not ever attempt to touch the heater when on as injury may occur.

✗ INCORRECT POSITIONING



For a copy of our new, more detailed commercial brochure, please ring our Brochureline on 0870 727 0115

After Sales Service

After sales service if required is absolutely no problem with Dimplex – we have a network of appointed Service Agents spread throughout the Country who are qualified and trained to repair or service any of our appliances.

Bathrooms

Any electrical appliances installed in a bathroom should be fitted by a competent electrician in accordance with the current I.E.E. Regulations.

Portable heaters are NOT suitable for use in a bathroom.

Unless otherwise specified in this brochure, heaters that can be permanently fixed have to be so mounted that any controls cannot be reached by a person using a bath or shower. This restriction does not apply to Dimplex heated towel rails, which do not have controls.

Safety

Dimplex products are designed to comply with EN60335 the British Standard covering the safety requirements of electric heating appliances, and momentary contact with any part of the heater should not cause injury. However, in order to be effective, heaters or towel rails of any type do get hot especially (if applicable) around the air outlet grille. Therefore if aged or infirm persons, or young children, are likely to be left unsupervised in the vicinity of a heater we advise that precautions should be taken. We recommend that a guard is fitted around the heater, as is normal with many types of heating appliance in similar circumstances, to ensure contact with the heater is avoided and objects cannot be inserted into the product.

(Please see page 38 for details of accessory guards.)

Heating appliances should never be covered or positioned where objects may fall onto them.

Specifications

Dimplex policy is one of continuous improvement; the Company therefore reserves the right to alter specifications without notice. Although every care has been taken in the reproduction of product finishes in this brochure, the colour photographs should be taken only as a guide. The information contained in this brochure is correct at the time of printing. You are advised to consult your dealer before purchasing.

Plugs

All portable appliances are supplied with a fitted plug.

British Electrotechnical Approvals Board BEAB Approved

The mark of the British Electrotechnical Approvals Board signifies that the appliance bearing it has been produced to the stringent safety requirements for domestic electrical appliances as laid down in EN60335.



CE Mark

Products carrying the CE mark comply with European safety standards and the European Standard for electro-magnetic compatibility.



Installation Guidance

This brochure is designed to assist you with your choice of Dimplex products and it is not intended as an installation guide. For safety, products should only be installed by a competent person, in accordance with current regulations and the manufacturers instructions. If you require further advice concerning the installation of our products – especially where the installed dimensions may be critical to your choice and the location of the product – please contact our customer service department on 0870 727 0101 or consult your installer.

Please note that the dimensions contained within this brochure do not in all cases include clearances required around installed products for safe operation.

Additional Literature

In addition to this publication we have separate, more detailed brochures on the following products:

- Commercial heating
- Water heating
- Fires and surrounds
- Portable heating

Please ring our brochureline for your copy

Useful Numbers

Tel: Customer Services: 0870 727 0101
Brochure line: 0870 727 0115

Fax: Customer Services: 0870 727 0102
Brochure line: 0870 727 0123

Email: customer.services@glendimplex.com

Website: www.dimplex.co.uk

Please note – these phone numbers are charged at standard rate, they are NOT premium rate numbers.

Dimplex, Twin Sensor, Quartzray and Cadiz are all Registered Trade Marks in the United Kingdom.

Dimplex Optiflame fires are protected by patent Nos: GB2230335, AU621713, USA4965707, IE63651 and NZ232435.

All the Optiflame products shown in this brochure are protected by intellectual property rights owned by Glen Dimplex UK Limited or members of the Glen Dimplex Group on an international basis. The Glen Dimplex Group of Companies will actively protect these rights.

© Glen Dimplex UK Limited

All rights reserved. Material contained in this publication may not be reproduced in whole or in part, without prior permission in writing of Glen Dimplex UK Limited.


Making life comfortable

Marketing Department, Millbrook House, Grange Drive, Hedge End, Southampton, SO30 2DF. Telephone: 0870 077 7117 Fax: 0870 727 0109

Designed and produced by Carrington Caunter Associates Limited, Christchurch (Bournemouth). Telephone 01202 499612

Selected furniture supplied by BoConcept, Bournemouth / The Furnishing Place, Maidenhead.

Kitchens from Interfit Design Studio, New Milton, Hants. Locations courtesy of: Broomhill Conservatories, Christchurch, Dorset. Coastal Bathrooms, New Milton, Hants.

D1196/1005