

5

4

3

2

1

受控 CONTROLLED DOCUMENT

编号 P/N	25-7034-CUST	版本 Rev	01	日期 Rel'd Date	Apr29,09
-----------	--------------	-----------	----	------------------	----------

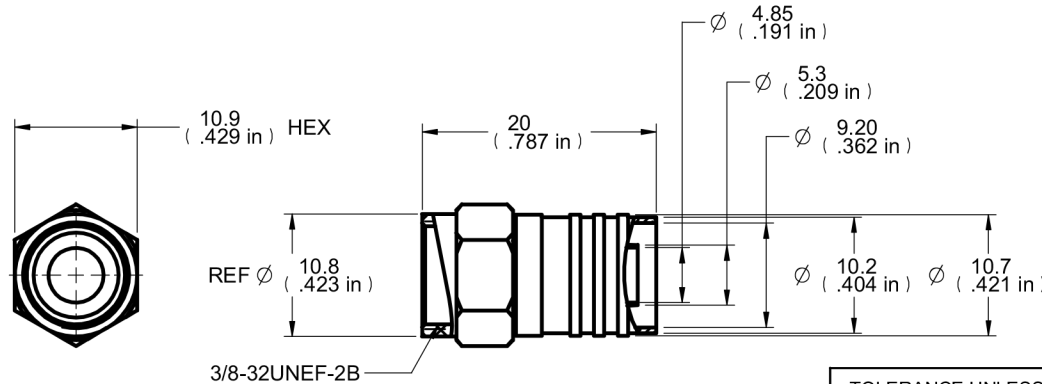
DRAWING NO.
25-7034-CUST

REVISIONS

01	OFFICIAL RELEASE				Thomas s Chow
	03-10-09	Y	U	U	



Description: F-56 ALS RG-6 Quad Shield
 Part No: 25-7034
 Application: For RG-6 Quad Shield Cable
 Crimp Tool: 24-7710 or 24-8866P
 Impedance: 75 Ohms
 Frequency Range: 0-750 MHz
 Material: Body Brass Nickel plated
 Nut Zinc Nickel plated
 RoHS Compliance: Yes
 Technical Detail: Refer to Emerson Document P/N 25-0000



DIM OUTLINE

CUSTOMER COPY



TOLERANCE UNLESS OTHERWISE SPECIFIED		DRAWN BY	DATE
DECIMALS	mm	BETTY.YU	03-10-09
X	± 0.5	CHECKED BY	DATE
X.X	± 0.3	BETTY.YU	03-10-09
X.XX	± 0.1	APPROVED BY	DATE
ANGLES	± 0.5°	THOMAS	03-10-09
		U/M	mm

TITLE
F-56 ALS RG-6 QUAD SHIELD

THIS DRAWING WAS PRODUCED BY COMPUTER,
DO NOT SCALE DRAWING OR UPDATE MANUALLY.

SHEET	DRAWING NO.	SIZE
1 OF 1	25-7034-CUST	A

5

4

3

2

1