

5

4

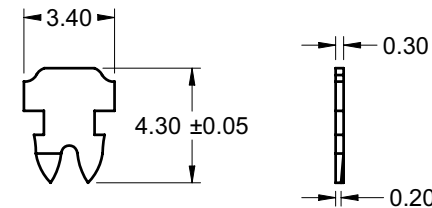
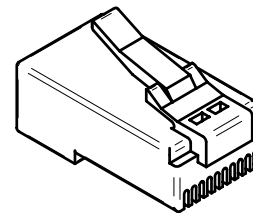
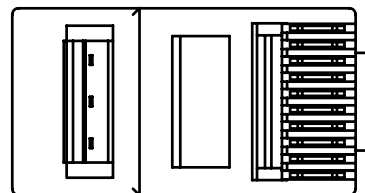
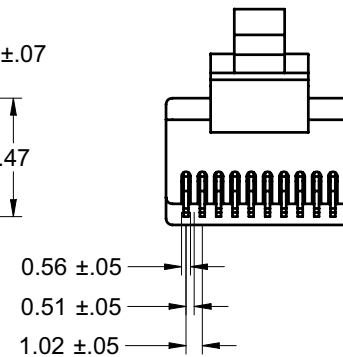
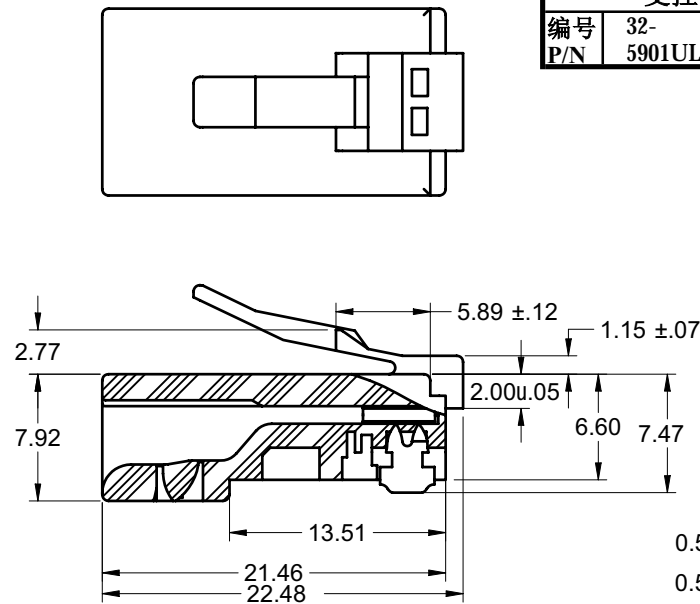
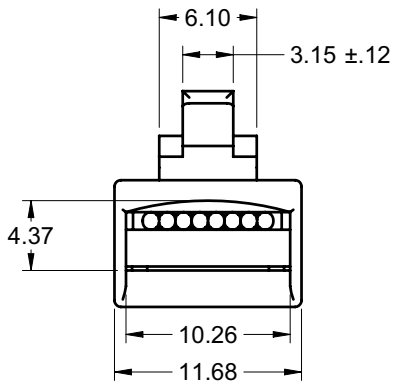
3

2

1

受控 CONTROLLED DOCUMENT					
编号 P/N	32- 5901UL	版本 Rev	0A	日期 Rel'd Date	Mar 24,08

DRAWING NO. 32-5910UL					
0 REVISIONS					
A RELEASE FOR QUATION					
10-24-05	Y	U	W	T	Thomas Chow 2005.10.21 17:22:58 -0800



CONTACT

NOTES:

1. ELECTRICAL SPECIFICATIONS

INSULATION RESISTANCE: 1000 MEGOHMS
WITHSTAND VOLTAGE: 1000V,AC/ MINUTE

2. MECHANICAL SPECIFICATIONS

CONTACT MATERIAL: PHOSPHOR BRONZE 0.3MM THICKNESS
CONTACT PLATING: 50 MICRO-INCH GOLD PLATE OVER 100
MICRO-INCH NICKEL PLATING

HOUSING MATERIAL: POLYCARBNATE
DURABILITY: 1000 CYCLES MIN
UL FLAMABILY RATING: 94-V0

3. ENVIRONMENTAL SPECIFICATIONS

TEMPERATURE RANGE: -40 °C TO +70°C

4. FOR SOLID OR STRANDED WIRE APPLICATIONS

5. FOR FLAT OVAL OR ROUND CABLE

THIS DRAWING TO BE INTERPRETED
PER ANSI Y 14.5M - 1994

COMPANY CONFIDENTIAL

TOLERANCE UNLESS OTHERWISE SPECIFIED		DRAWN BY	DATE
DECIMALS	mm	BETTY.YU	10-24-05
X	± 0.5	CHECKED BY	DATE
X.X	± 0.15	Ivon.Wang	10-24-05
X.XX	± 0.10	APPROVED BY	DATE
ANGLES	± 0.5°	THOMAS	10-24-05
U/M: mm		THIS DRAWING WAS PRODUCED BY COMPUTER, DO NOT SCALE DRAWING OR UPDATE MANUALLY.	

TITLE 10C MOD PLUG FOR ROUND CBL		
SHEET 1 OF 1	DRAWING NO. 32-5910UL	SIZE C

5

4

3

2

1