

5

4

3

2

1

D

C

B

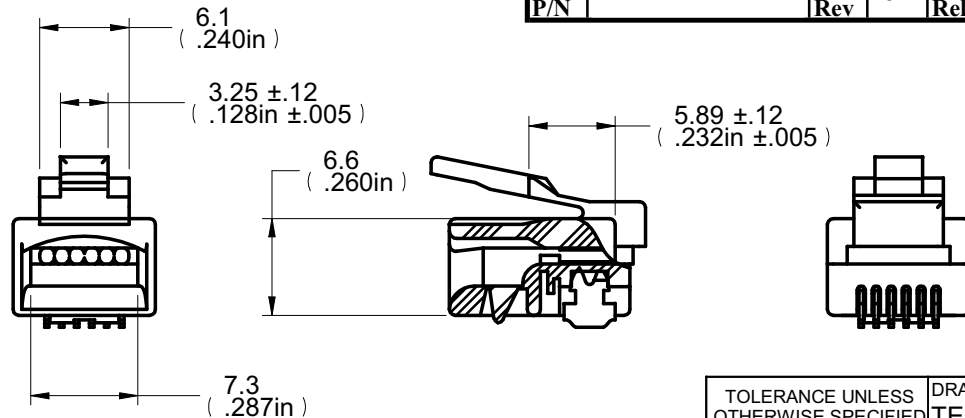
A



Description: RJ12 MOD Plug 50"U,SOL/STR,FLT
 Part No: 32-5996UL
 Application: Modular Plug
 Crimp Tool: N/A
 Insulation Resistance: 1000 Ohms
 Frequency Range: N/A
 Material: Housing Polycarbonate
 Contact Phosphor bronze Gold plated
 Insert bar Polycarbonate
 RoHS Compliance: Yes
 Technical Detail: N/A

DRAWING NO. 32-5996UL- CUST	
REVISIONS	
OFFICIAL RELEASE	
01	2009.09.0 <i>Betty</i> 09.30.14 +0800
08-23-09	T W B Y T

受控 CONTROLLED DOCUMENT					
编号 P/N	32-5996UL-CUST	版本 Rev	01	日期 Rel'd Date	SEP 14,09



DIM OUTLINE

CUSTOMER COPY

TOLERANCE UNLESS OTHERWISE SPECIFIED		DRAWN BY TERRY.W	DATE 08-23-09
DECIMALS	mm	CHECKED BY BETTY.YU	DATE 08-23-09
X	± 0.5	APPROVED BY THOMAS	DATE 08-23-09
X.X	± 0.3	U/M	mm
X.XX	± 0.1		
ANGLES	± 0.5°		



TITLE
 RJ12 MOD PLUG 50"U,SOL/STR,FLT

SHEET 1 OF 1	DRAWING NO. 32-5996UL-CUST	SIZE A
-----------------	-------------------------------	-----------

THIS DRAWING WAS PRODUCED BY COMPUTER,
 DO NOT SCALE DRAWING OR UPDATE MANUALLY.

5

4

3

2

1

D

C

B

A