

5

4

3

2

1

D



Description: F screw locks, .30"

Part No: 40-98440F/-C

Application: D-Sub Hardware

Crimp Tool: N/A

Impedance: N/A

Frequency Range: N/A

Material: Bolt Brass Nickel plated

Nut Steel Nickel plated

Washer Steel Nickel plated

Washer Steel Nickel plated

RoHS Compliance: Yes

Technical Detail: N/A

DRAWING NO.
40-98440F/-C-CUST

REVISIONS

01		OFFICIAL RELEASE					
04-02-11	J	J	D				
02		CHANGE BOLT MATERIAL FROM STEEL TO BRASS					
07-26-11	L	H	M				ECO-11-0127
03		ADD P/N -C					
12-19-12	G	M	M				ECO-12-0335

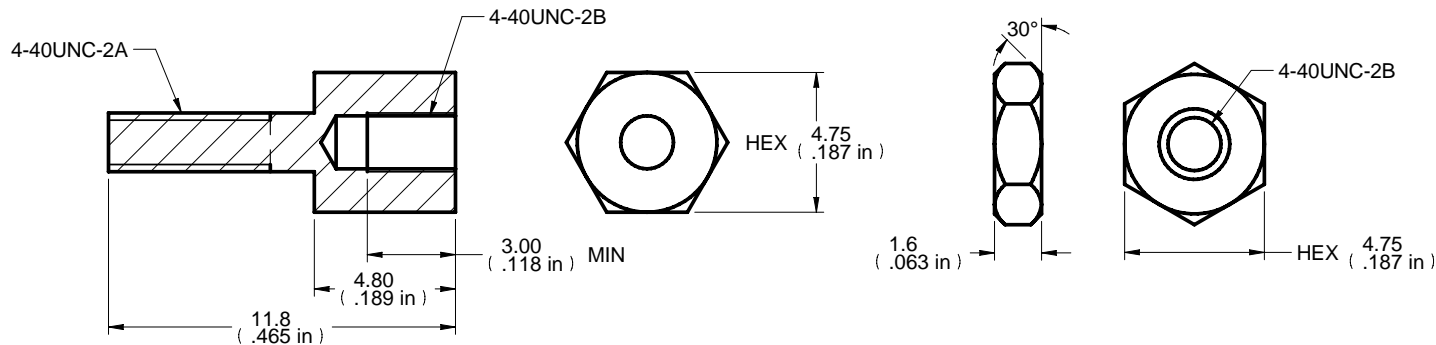
D

C

C

B

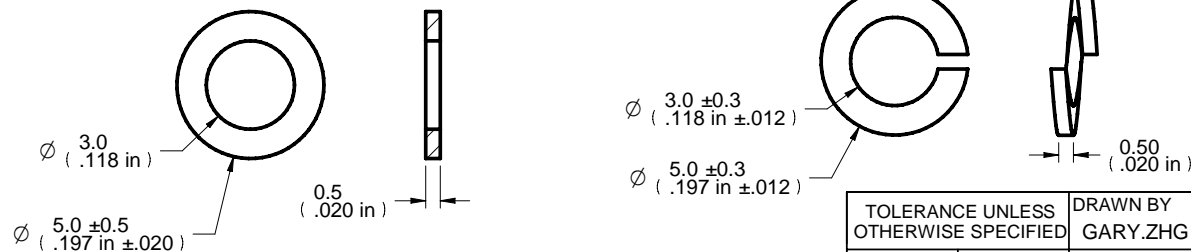
B



C

A

A




CUSTOMER COPY

DIM OUTLINE

40-98440F-C	F SCREW LOCKS, .30" (50 SET)
40-98440F	F SCREW LOCKS, .30" (1 SET)

TOLERANCE UNLESS OTHERWISE SPECIFIED		DRAWN BY	DATE
DECIMALS	mm	GARY.ZHG	12-19-12
X.X	+ 0.2	CHECKED BY	DATE
X.XX	+ 0.1	MONICA.W	12-19-12
X.XXX	+ 0.08	APPROVED BY	DATE
ANGLES	+ 0.5°	MA LIN	12-19-12
		U/M	mm

 cinch CONNECTIVITY SOLUTIONS a bel group		
SHEET 1 OF 1	DRAWING NO. 40-98440F/-C-CUST	SIZE A

THIS DRAWING WAS PRODUCED BY COMPUTER,
DO NOT SCALE DRAWING OR UPDATE MANUALLY.

5

4

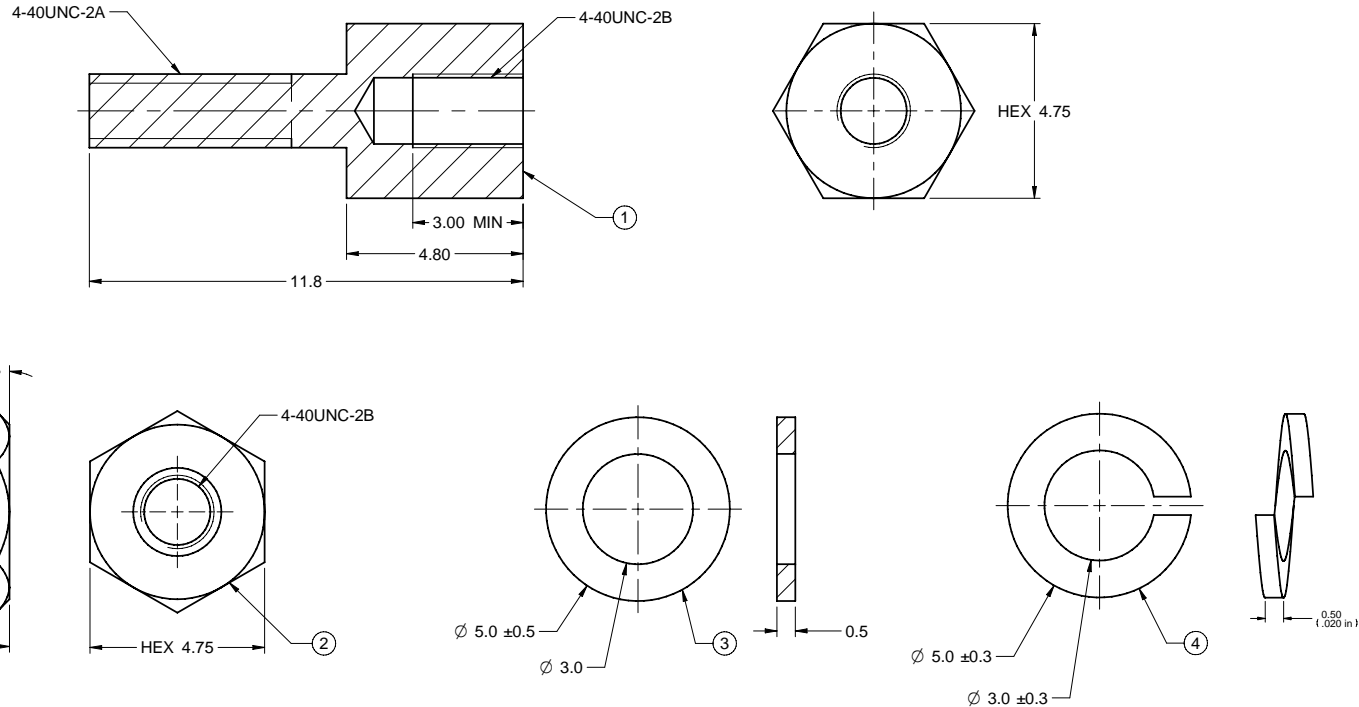
3

2

1

PART NUMBER	ITEM ① BOLT	ITEM ② NUT	ITEM ③ WASHER	ITEM ④ WASHER
40-98440F/-C	BRASS NICKEL PLATED	STEEL NICKEL PLATED	STEEL NICKEL PLATED	STEEL NICKEL PLATED

DRAWING NO. 40-98440F/-C	
REVISIONS	
01	OFFICIAL RELEASE 04-02-11 J J D
02	CHANGE BOLT MATERIAL FROM STEEL TO BRASS 07-26-11 L H M ECO-11-0127
03	ADD P/N -C 12-19-12 C W M L ECO-12-0335



- NOTES:
1. PRODUCT SHOULD BE RoHS COMPLIANCE.
 2. PACKAGING REQUIREMENT FOLLOWS ENGINEER DOCUMENT P/N 836-4020001XX

40-98440F-C	F SCREW LOCKS, .30°(50 SET)
40-98440F	F SCREW LOCKS, .30°(1 SET)

THIS DRAWING TO BE INTERPRETED
PER ANSI Y 14.5M - 1994
COMPANY CONFIDENTIAL

TOLERANCE UNLESS OTHERWISE SPECIFIED		DRAWN BY GARY.ZHG	DATE 12-19-12
DECIMALS	mm	CHECKED BY MONICA.W	DATE 12-19-12
X.X	+ 0.2	APPROVED BY MA LIN	DATE 12-19-12
X.XX	+ 0.1		
X.XXX	+ 0.08		
ANGLES	+ 0.5°	U/M mm	

		TITLE F SCREW LOCKS, .30° (1SET)
		SHEET 1 OF 1 DRAWING NO. 40-98440F/-C SIZE C

THIS DRAWING WAS PRODUCED BY COMPUTER,
DO NOT SCALE DRAWING OR UPDATE MANUALLY.