



MASTER LEDspot LV AR111

MASTER LEDspotLV D 10-50W 830 AR111 40D

Delivering a warm, halogen-like accent beam, MASTER LEDspot LV AR111 is an ideal retrofit solution for spot and general lighting applications in the hospitality and retail industry. It is particularly suitable for general lighting where the light is on all the time, such as creative accent lighting applications in shops, restaurants, hotels, and especially for galleries, exhibitions and museums. The robustly designed MASTER LEDspot LV AR111 offers various beam angles for a clearly defined beam spread. There is no UV or IR in the beam, making it suitable for illuminating heat-sensitive objects (food, organic materials, paintings, etc.). The patented intelligent driver enables broad compatibility with existing electromagnetic and electronic halogen transformers. MASTER LEDspot LV AR111 delivers huge energy savings and minimises maintenance cost without any reduction in brightness.

Product data

• General Characteristics

| | |
|------------------------|----------|
| Cap-Base | G53 |
| Bulb | AR111 |
| Rated Lifetime | 40000 hr |
| Nominal Lifetime hours | 40000 hr |

• Light Technical Characteristics

| | |
|-------------------------------|--------------------|
| Colour Code | 830 |
| Colour Designation | White |
| Beam Angle | 40 D |
| Correlated Colour Temperature | 3000 K |
| Luminous Flux | 610 Lm |
| Luminous Intensity | 1300 cd |
| Colour rendering index | 80 |
| Luminous Efficacy Lamp | 61.00 Lm/W |
| Colour Temperature | 3000 K [CCT 3000K] |
| Rated Luminous Flux | 610 Lm |
| LLMF - end nominal lifetime | 70 % |
| Colour consistency | 6 steps |
| Rated Beam Angle | 40 D |
| Luminous flux in 90° cone | 610 Lm |

• Electrical Characteristics

| | |
|-------------------|----------|
| Wattage | 10 W |
| Wattage Technical | 10 W |
| Voltage | 12 V |
| Line Frequency | 50-60 Hz |
| Power Factor | 0.5 - |
| Lamp Current mA | 1100 mA |

| | |
|--------------------------------|--------------------|
| Dimmable | Yes |
| Wattage Equivalent | 50 W |
| Rated Wattage | 10 W |
| Starting Time | 1 (max) s |
| Warm-up Time to 60% Light Outp | instant full light |
| Suitable for accent lighting | Yes |

• Temperature Characteristics

• Environmental characteristics

| | |
|-------------------------------|---|
| Energy Efficiency Label (EEL) | A |
|-------------------------------|---|

• Measuring Conditions

| | |
|-----------------|--------|
| Switching cycle | 50000X |
|-----------------|--------|

• Product Dimensions

| | |
|------------------|--------|
| Overall Length C | 111 mm |
| Diameter D | 56 mm |

• Product Data

| | |
|-----------------------|---|
| Order code | 718529 00 |
| Full product code | 871829171852900 |
| Full product name | MASTER LEDspotLV D 10-50W 830 AR111 40D |
| Order product name | MAS LEDspotLV D 10-50W 830 AR111 40D |
| Pieces per pack | 1 |
| Packing configuration | 6 |
| Packs per outerbox | 6 |



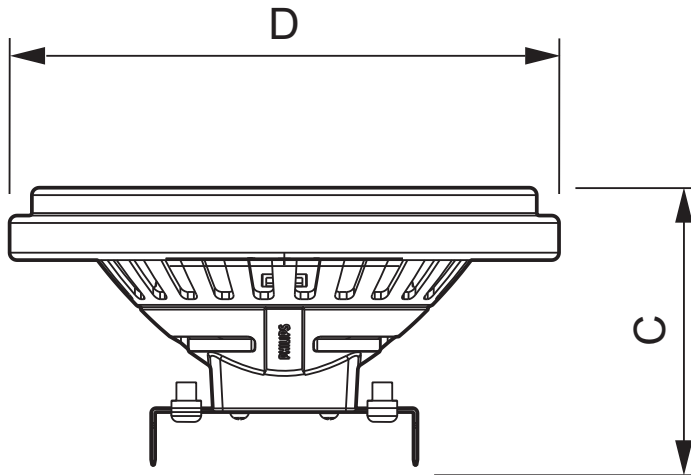
PHILIPS

MASTER LEDspot LV AR111

Bar code on pack - EAN1 8718291718529
Bar code on outerbox - EAN3 8718291718536

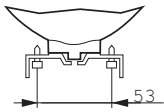
Logistic code(s) - 12NC 929000260902
Net weight per piece 0.120 kg

Dimensional drawing



MASTER LEDspotLV D 10-50W 830 AR111 40D

| Product | C (Norm) | D (Norm) |
|----------------------------|----------|----------|
| LED D 10-50W 830 AR111 40D | 111 | 56 |



G53



© 2014 Koninklijke Philips N.V. (Royal Philips)
All rights reserved.

Specifications are subject to change without notice. Trademarks are the property of Koninklijke Philips N.V. (Royal Philips) or their respective owners.

www.philips.com/lighting

2014, November 1
data subject to change