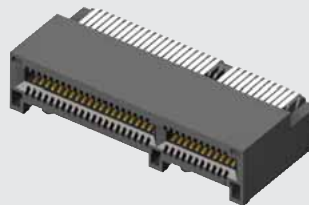
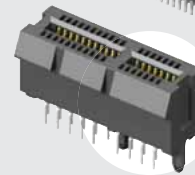




PCIE-098-02-F-D-EMS2



PCIE-064-02-F-D-RA



PCIE-036-02-F-D-TH

PCIE SERIES

(1,00 mm) .0394"

PCI EXPRESS® CARD SOCKETS

SPECIFICATIONS

For complete specifications and recommended PCB layouts see www.samtec.com?PCIE

Insulator Material:

- TH=Black Nylon
- EMS2 & -RA=LCP

Contact: Phosphor Bronze

Plating: Au or Sn over 50µ" (1,27 µm) Ni

Current Rating: 2.2 A per pin

(2 adjacent pins powered)

Operating Temp: -55°C to +125°C

Card Insertion Depth: (8,00 mm) .315" nominal

RoHS Compliant: Yes

Lead-Free Solderable: -RA & EMS2=Yes

-TH=Wave only

RECOGNITIONS

For complete scope of recognitions see www.samtec.com/quality



Card Mates: (1,60 mm) .062" card
Cable Mates: PCIEC



Polarized
Supports one, four, eight and sixteen PCI Express® links

Accepts 1,6 mm card

Choice of card-edge mount or PCB mount

Alignment pins

PCIE 11,1 mm Stack Height	Rated @ 3dB Insertion Loss*
Differential Pair Signaling	7.0 GHz / 14 Gbps

*Performance data includes effects of a non-optimized PCB. Data based on simulations using Final Inch® design.
Complete test data available at www.samtec.com?PCIE or contact sig@samtec.com

Four rows on 2 mm pitch

ALSO AVAILABLE
(MOQ Required)

- Other platings
- Contact Samtec.



-036, -064, -098, -164

-F
= Gold flash on contact, Tin on tail

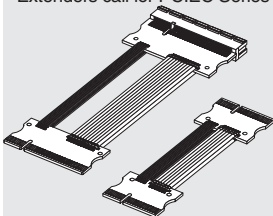
-EMS2
= Edge Mount

-TH
= Through-hole

-RA
= Right Angle

OTHER SOLUTIONS

PCI Express® Jumpers & Extenders call for PCIEC Series

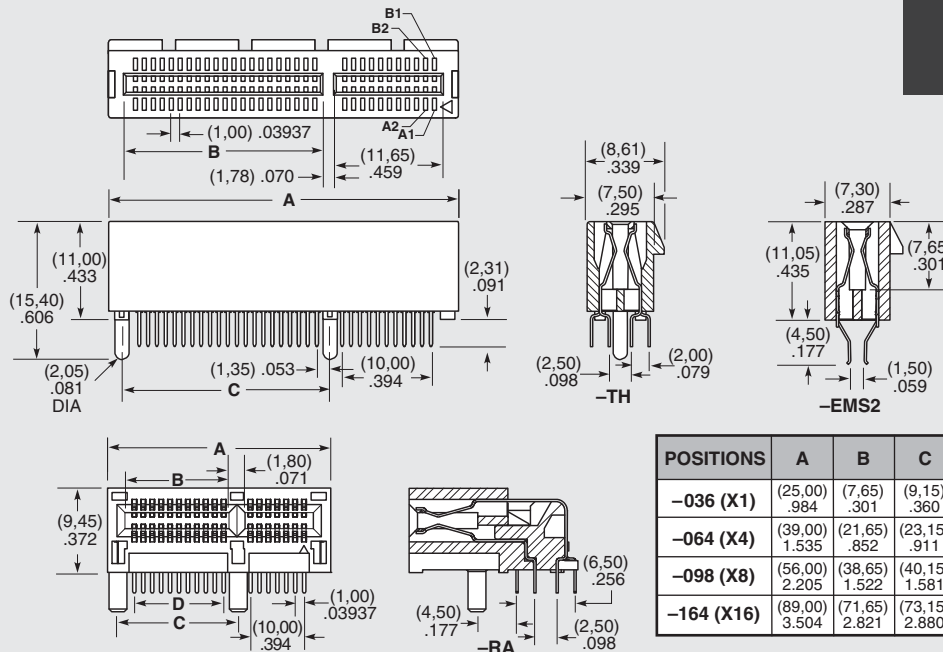


- Loop back Extender (From one PCIe® slot to another PCIe® slot)
 - Ser-Des Physical Extender (From one PCIe® slot to another PCIe® Ser-Des)
 - Physical Extender for easy troubleshooting of PCIe® card debug and analysis (PCIe® slot to Emulator or Analyzer)
- Contact Samtec.

PCI Express® is a registered trademark of PCI-SIG®.

Note: While optimized for 50Ω applications, this connector with alternative signal/ground patterns may also perform well in certain 75Ω applications. Contact Samtec for further information.

Note: Some lengths, styles and options are non-standard, non-returnable.



POSITIONS	A	B	C	D
-036 (X1)	(25,00) .984	(7,65) .301	(9,15) .360	(6,00) .236
-064 (X4)	(39,00) 1.535	(21,65) .852	(23,15) .911	(20,00) .787
-098 (X8)	(56,00) 2.205	(38,65) 1.522	(40,15) 1.581	(37,00) 1.457
-164 (X16)	(89,00) 3.504	(71,65) 2.821	(73,15) 2.880	(70,00) 2.756