

(2,54 mm) .100"

PEC SERIES

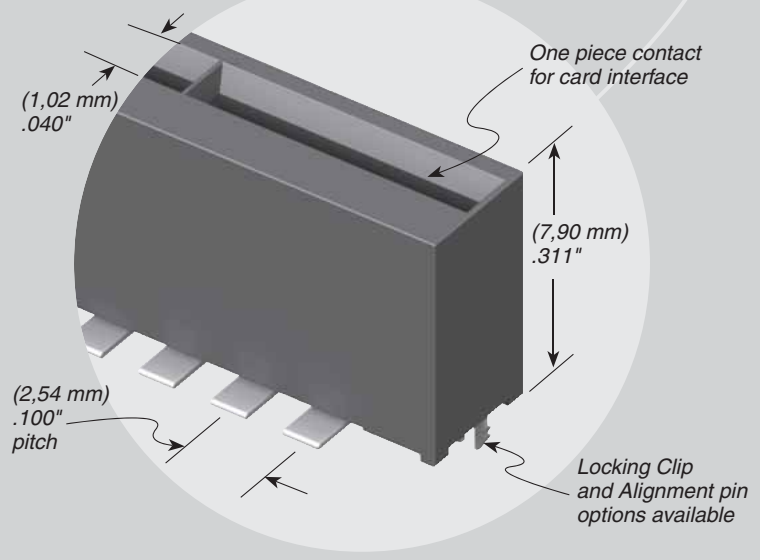
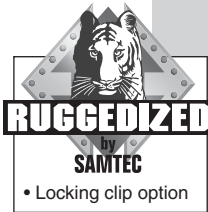
POWER EDGE CARD CONNECTOR

SPECIFICATIONS

For complete specifications and recommended PCB layouts see www.samtec.com?PEC

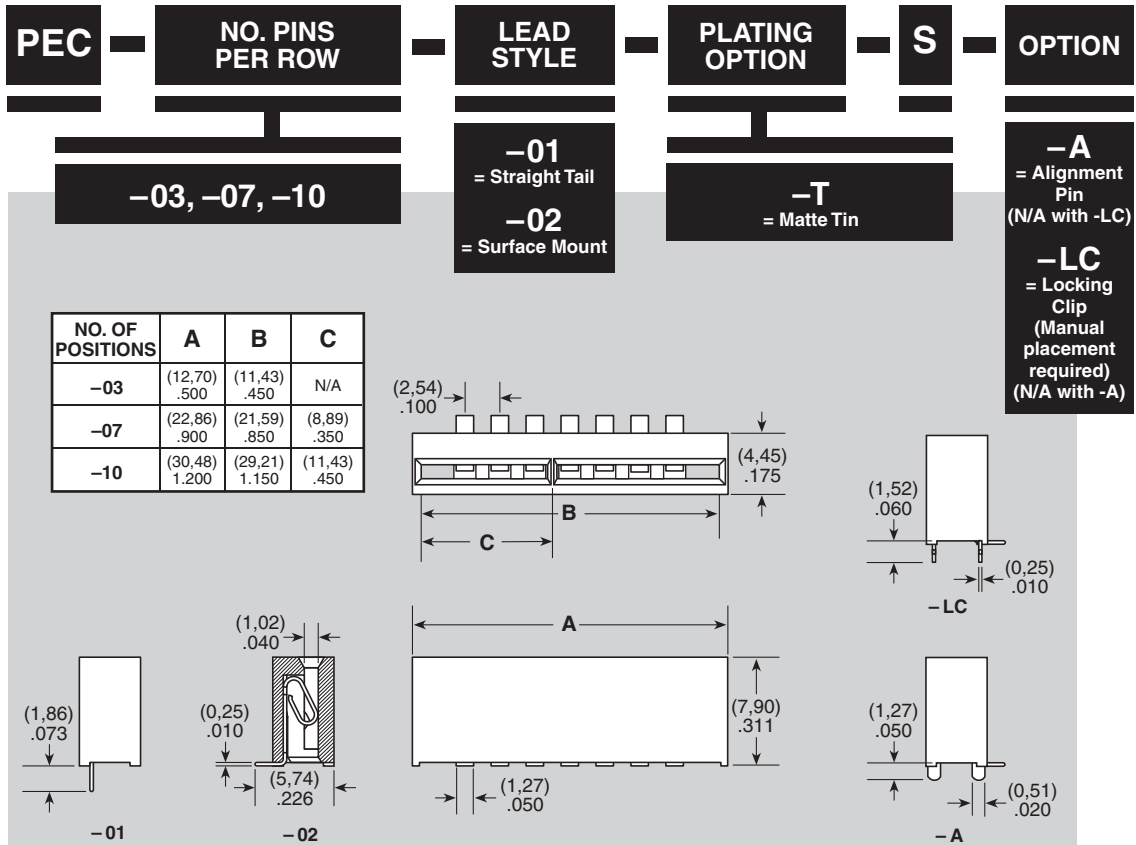
- Insulator Material:**
Black Liquid Crystal Polymer
- Contact Material:**
BeCu
- Plating:**
Sn over 50µ" (1,27 µm) Ni
- Current Rating:**
7.5 A per pin
(1 pin powered)
- Operating Temp Range:**
-55°C to +105°C
- Voltage Rating:**
250 VAC
- RoHS Compliant:**
Yes

- Processing:**
Lead-Free Solderable:
Yes
- SMT Lead Coplanarity:**
(0,10 mm) .004" max



RECOGNITIONS

For complete scope of recognitions see www.samtec.com/quality



Note: Some sizes, styles and options are non-standard, non-returnable.

Due to technical progress, all designs, specifications and components are subject to change without notice.

WWW.SAMTEC.COM