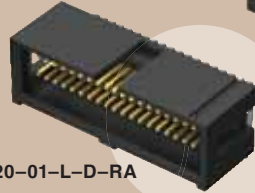


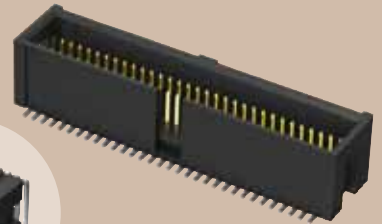
TML-108-02-G-D-SM



TML-120-01-L-D-RA



TML-132-02-L-D-SM



(1,27 mm) .050"

TML SERIES

SHROUDED MICRO HEADER

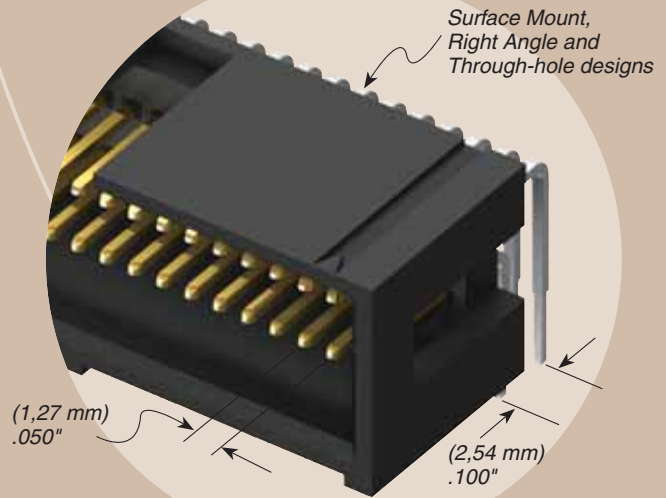
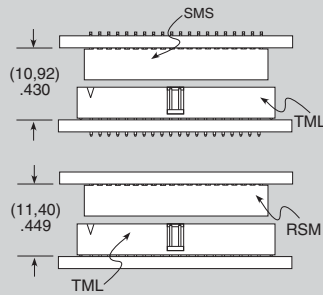
SPECIFICATIONS

For complete specifications and recommended PCB layouts see www.samtec.com?TML

- Insulator Material:** Black Liquid Crystal Polymer
- Insulation Resistance:** 5000 MΩ min
- Terminal Material:** Phosphor Bronze
- Plating:** Au or Sn over 50μ" (1,27 μm) Ni
- Operating Temp Range:** -55°C to +105°C with Tin; -55°C to +125°C with Gold
- RoHS Compliant:** Yes
- Processing:** Lead-Free Solderable: Yes
- SMT Lead Coplanarity:** (0,15 mm) .006" max

Mates with:
SMS, RSM

APPLICATIONS



RECOGNITIONS

For complete scope of recognitions see www.samtec.com/quality



ALSO AVAILABLE (MOQ Required)

- Other sizes
- Other platings
- Contact Samtec.



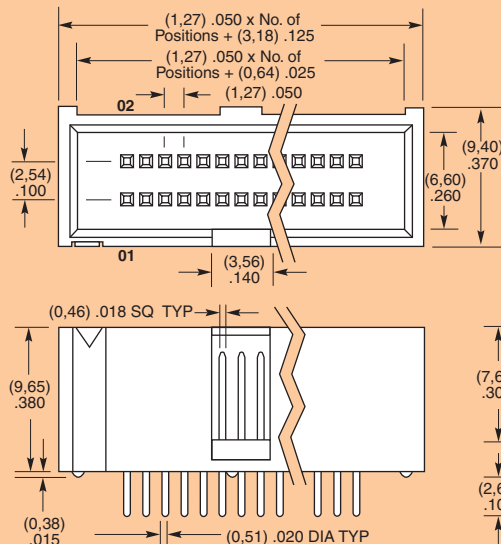
-05, -08, -10, -20, -32
(Standard sizes)

Specify LEAD STYLE from chart

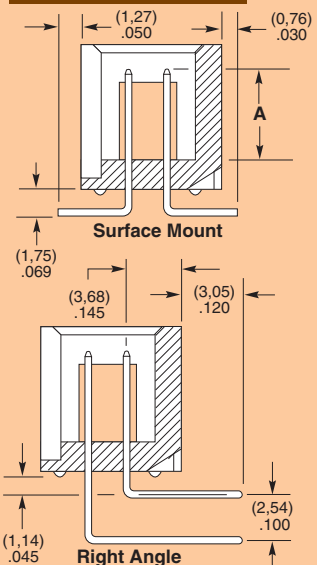
- L = 10μ" (0,25 μm) Gold on post, Matte Tin on tail
- G = 10μ" (0,25 μm) Gold on post, Gold flash on tail

- RA = Right Angle
- SM = Surface Mount (For locking clip add -LC)

- "XXX" = Polarized position (Specify position of omitted pin)



LEAD STYLE	POST HEIGHT (A)
-01	(3,05) .120
-02	(5,84) .230
-03	(4,32) .170



Note: Some sizes, styles and options are non-standard, non-returnable.

Due to technical progress, all designs, specifications and components are subject to change without notice.

WWW.SAMTEC.COM