

# Light-to-Digital Output Sensor with Gain Selection, Interrupt Function and I<sup>2</sup>C Interface

## ISL76683

The ISL76683 is an integrated light sensor with an internal integrating ADC intended for automotive applications. The ADC provides 16-bit resolution and is capable of rejecting 50Hz and 60Hz flicker caused by artificial light sources. The I<sup>2</sup>C interface provides four user programmable lux sensitivity ranges for optimized counts/lux in a variety of lighting conditions. In addition, the I<sup>2</sup>C interface provides multi-function control of the sensor and remote monitoring capabilities.

In normal operation, power consumption is less than 300µA. Furthermore, a software power-down mode controlled via the I<sup>2</sup>C interface reduces power consumption to less than 1µA.

The ISL76683 supports twin (upper & lower) user programmed thresholds and provides a hardware interrupt that remains asserted low until the host clears it via the I<sup>2</sup>C control interface.

Designed to operate on supplies from 2.5V to 3.3V, the ISL76683 is qualified to AEC Q100 and specified for operation over the -40°C to +105°C (grade 2) ambient temperature range. To achieve this, the ISL76683 is packaged in a special extended temperature clear package.

## Related Literature

[AN1657](#), "ISL76683 Light-to-Digital Output Sensor Evaluation Hardware/Software User Guide"

## Features

- Range select via I<sup>2</sup>C
  - Range 1 = 0 lux to 1000 lux
  - Range 2 = 0 lux to 4000 lux
  - Range 3 = 0 lux to 16,000 lux
  - Range 4 = 0 lux to 64,000 lux
- Human eye response (540nm peak sensitivity)
- Temperature compensated
- 16-bit resolution
- Adjustable sensitivity: up to 65 counts per lux
- User-programmable upper and lower threshold interrupt
- Simple output code, directly proportional to lux
- IR + UV rejection
- 50Hz/60Hz rejection
- 2.5V to 3.3V supply
- 6 Ld ODFN (2.1mmx2mm)
- AEC-Q100 qualified
- Pb-free (RoHS compliant)

## Applications

- Automotive ambient light sensing
- Backlight control
- Lighting controls

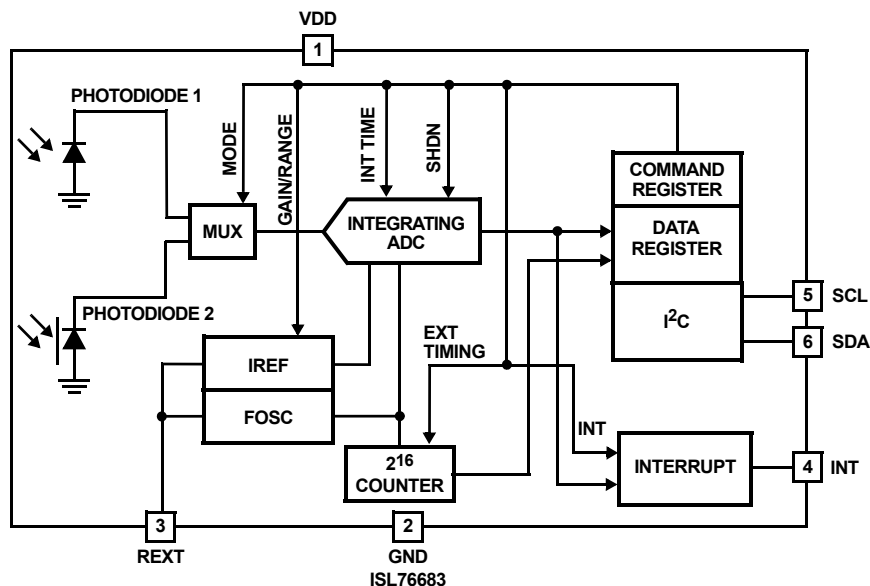
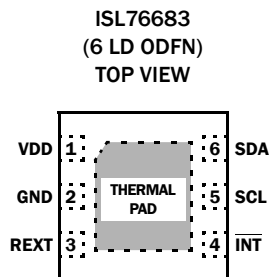


FIGURE 1. BLOCK DIAGRAM

# ISL76683

## Pin Configuration



## Pin Descriptions

PIN NUMBER	PIN NAME	DESCRIPTION
1	VDD	Positive supply; connect this pin to a regulated 2.5V to 3.3V supply
2	GND	Ground pin. The thermal pad is connected to the GND pin
3	REXT	External resistor pin for ADC reference; connect this pin to ground through a (nominal) 100kΩ resistor
4	$\overline{\text{INT}}$	Interrupt pin; LO for interrupt/alarms. The $\overline{\text{INT}}$ pin is an open drain.
5	SCL	I <sup>2</sup> C serial clock
6	SDA	I <sup>2</sup> C serial data

The I<sup>2</sup>C bus lines can be pulled above VDD, 5.5V max.

## Ordering Information

PART NUMBER (Notes 1, 2, 3)	TEMP RANGE (°C)	PACKAGE Tape & Reel (Pb-free)	PKG. DWG. #
ISL76683AR0Z-T7	-40 to +105	6 Ld ODFN	L6.2x2.1
ISL76683AR0Z-T7A	-40 to +105	6 Ld ODFN	L6.2x2.1
ISL76683EVAL1Z	Evaluation Board		

### NOTES:

1. Please refer to [TB347](#) for details on reel specifications.
2. These Intersil Pb-free plastic packaged products employ special Pb-free material sets; molding compounds/die attach materials and NiPdAu plate - e4 termination finish, which is RoHS compliant and compatible with both SnPb and Pb-free soldering operations. Intersil Pb-free products are MSL classified at Pb-free peak reflow temperatures that meet or exceed the Pb-free requirements of IPC/JEDEC J STD-020.
3. For Moisture Sensitivity Level (MSL), please see device information page for [ISL76683](#). For more information on MSL please see techbrief [TB477](#).

# ISL76683

## Absolute Maximum Ratings (T<sub>A</sub> = +25°C)

V <sub>DD</sub> , Supply Voltage between VDD and GND	3.6V
I <sup>2</sup> C Bus Pin Voltage (SCL, SDA)	-0.2V to 5.5V
I <sup>2</sup> C Bus Pin Current (SCL, SDA)	<10mA
INT, R <sub>EXT</sub> Pin Voltage	-0.2V to V <sub>DD</sub>
ESD Rating	
Human Body Model (Tested per JESD22-A114E)	2kV
Machine Model (Tested per JESD-A115-A)	200V
Charge Device Model (Tested per JESD22-C101C)	1kV
Latch Up (Tested per JESD78B)	100mA

## Thermal Information

Thermal Resistance (Typical)	θ <sub>JA</sub> (°C/W)	θ <sub>JC</sub> (°C/W)
6 Ld ODFN Package (Notes 4, 5)	88	7.94
Maximum Die Temperature	+105°C	
Storage Temperature	-40°C to +105°C	
Operating Temperature	-40°C to +105°C	
Pb-free reflow profile	see link below	
	<a href="http://www.intersil.com/pbfree/Pb-FreeReflow.asp">http://www.intersil.com/pbfree/Pb-FreeReflow.asp</a>	

**CAUTION:** Do not operate at or near the maximum ratings listed for extended periods of time. Exposure to such conditions may adversely impact product reliability and result in failures not covered by warranty.

### NOTES:

- θ<sub>JA</sub> is measured with in free air with the component mounted on a high effective thermal conductivity test board with “direct attach” features. See Tech Brief TB379.
- For θ<sub>JC</sub>, “case temperature” location is at the center of the exposed metal pad on the package underside. See Tech Brief TB379.

## Electrical Specifications V<sub>DD</sub> = 3V, T<sub>A</sub> = +25°C, R<sub>EXT</sub> = 100kΩ 1% tolerance, unless otherwise specified, Internal Timing Mode Operation (see “Principles of Operation” on page 6).

PARAMETER	DESCRIPTION	TEST CONDITIONS		MIN (Note 6)	TYP	MAX (Note 6)	UNITS
V <sub>DD</sub>	Power Supply Range			2.25		3.3	V
I <sub>DD</sub>	Supply Current				0.29	0.33	mA
I <sub>DD1</sub>	Supply Current Disabled	Software disabled, -40°C to +85°C			0.1	1	µA
		Software disabled, -40°C to +105°C, V <sub>DD</sub> = 3.3V			0.1	8	µA
f <sub>OSC1</sub>	Internal Oscillator Frequency	Gain/Range = 1 or 2		290	327	360	kHz
f <sub>OSC2</sub>	Internal Oscillator Frequency	Gain/Range = 3 or 4		580	655	720	kHz
FI <sup>2</sup> C	I <sup>2</sup> C Clock Rate			1		400	kHz
DATA0	Diode1 Dark ADC Code	E = 0 lux, Mode1, Gain/Range = 1				5	Counts
DATA1	Full Scale ADC Code					65535	Counts
DATA2	Diode1 ADC Code Gain/Range = 1 Accuracy	Mode1	E = 300 lux, fluorescent light, Gain/Range = 1 (Note 7)	15760	20200	24440	Counts
DATA3	Diode2 ADC Code Gain/Range = 1 Accuracy	Mode2			2020		Counts
DATA4	Diode1 ADC Code Gain/Range = 2 Accuracy	Mode1	E = 300 lux, fluorescent light, Gain/Range = 2 (Note 7)		5050		Counts
DATA5	Diode2 ADC Code Gain/Range = 2 Accuracy	Mode2			505		Counts
DATA6	Diode1 ADC Code Gain/Range = 3 Accuracy	Mode1	E = 300 lux, fluorescent light, Gain/Range = 3 (Note 7)		1262		Counts
DATA5	Diode2 ADC Code Gain/Range = 3 Accuracy	Mode2			126		Counts
DATA6	Diode1 ADC Code Gain/Range = 4 Accuracy	Mode1	E = 300 lux, fluorescent light, Gain/Range = 4 (Note 7)		316		Counts
DATA6	Diode2 ADC Code Gain/Range = 4 Accuracy	Mode2			32		Counts
V <sub>REF</sub>	Voltage of REXT Pin	-40°C to +85°C		0.485	0.51	0.535	V
		-40°C to +105°C				0.545	V
V <sub>TL</sub>	SCL and SDA Threshold LO	(Note 8)			1.05		V
V <sub>TH</sub>	SCL and SDA Threshold HI	(Note 8)			1.95		V

# ISL76683

**Electrical Specifications**  $V_{DD} = 3V$ ,  $T_A = +25^\circ C$ ,  $R_{EXT} = 100k\Omega$  1% tolerance, unless otherwise specified, Internal Timing Mode Operation (see "Principles of Operation" on page 6). **(Continued)**

PARAMETER	DESCRIPTION	TEST CONDITIONS	MIN (Note 6)	TYP	MAX (Note 6)	UNITS
$I_{SDA}$	SDA Current Sinking Capability		3	5		mA
$I_{INT}$	$\overline{INT}$ Current Sinking Capability		3	5		mA

NOTES:

- Compliance to datasheet limits is assured by one or more methods: production test, characterization and/or design.
- Fluorescent light is substituted by a white LED during production.
- The voltage threshold levels of the SDA and SCL pins are  $V_{DD}$  dependent:  $V_{TL} = 0.35 \cdot V_{DD}$ .  $V_{TH} = 0.65 \cdot V_{DD}$ .

## Typical Performance Curves ( $R_{EXT} = 100k\Omega$ )

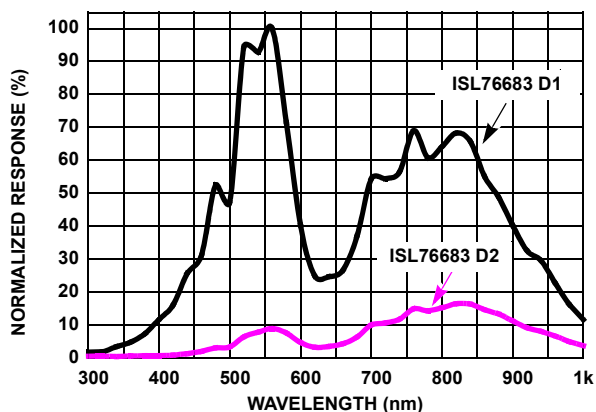


FIGURE 2. SPECTRAL RESPONSE

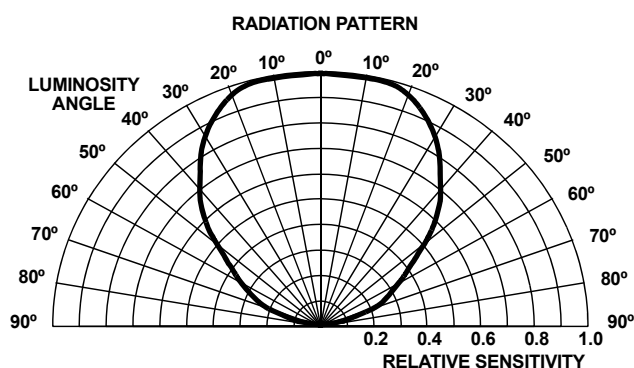


FIGURE 3. RADIATION PATTERN

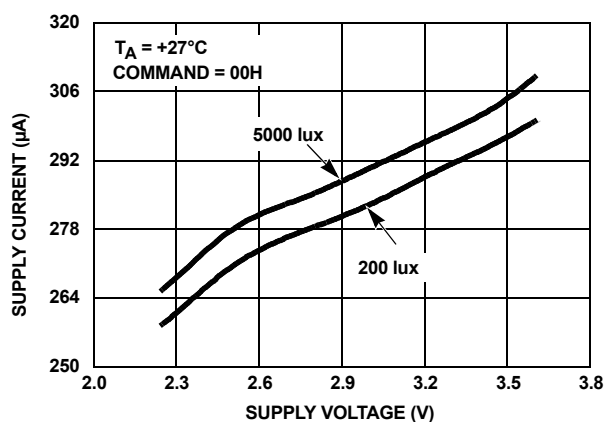


FIGURE 4. SUPPLY CURRENT vs SUPPLY VOLTAGE

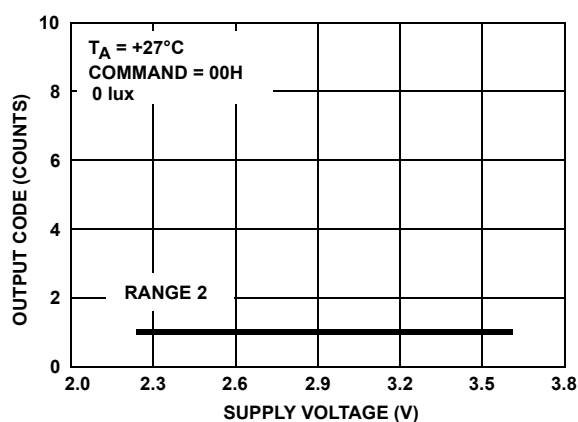


FIGURE 5. OUTPUT CODE FOR 0 LUX vs SUPPLY VOLTAGE

## Typical Performance Curves ( $R_{EXT} = 100k\Omega$ ) (Continued)

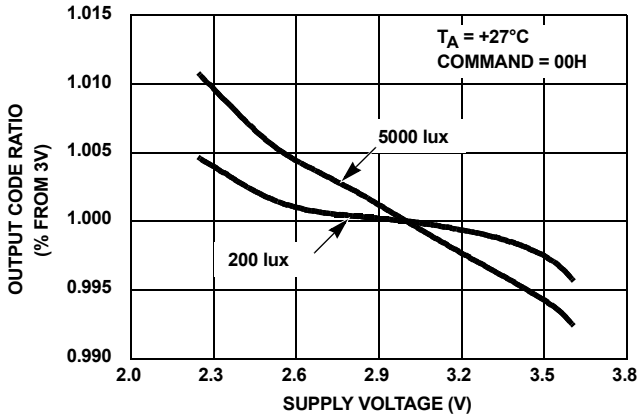


FIGURE 6. OUTPUT CODE vs SUPPLY VOLTAGE

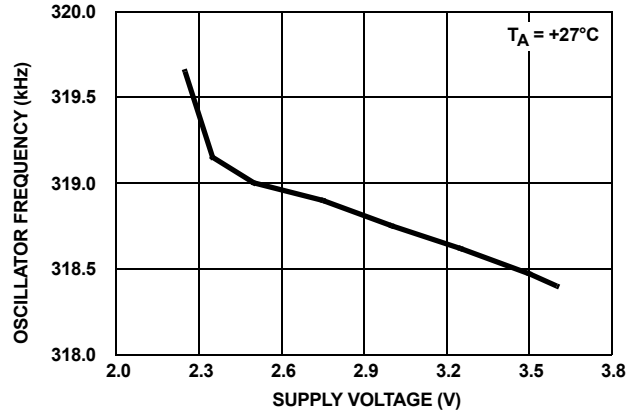


FIGURE 7. OSCILLATOR FREQUENCY vs SUPPLY VOLTAGE

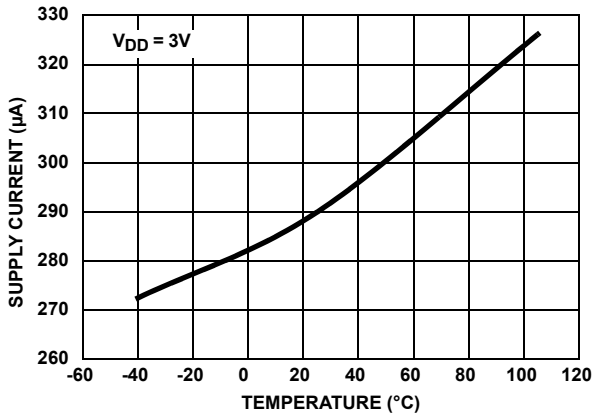


FIGURE 8. SUPPLY CURRENT vs TEMPERATURE

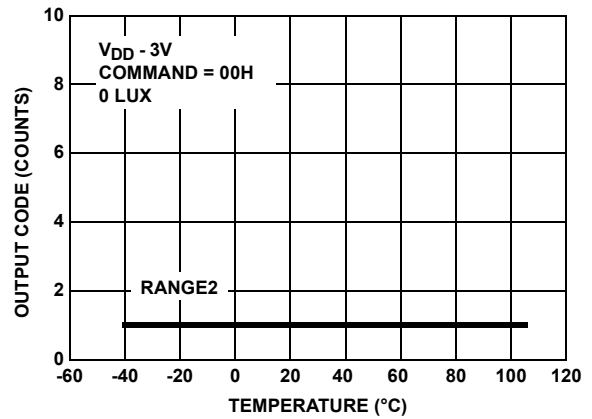


FIGURE 9. OUTPUT CODE FOR 0 LUX vs TEMPERATURE

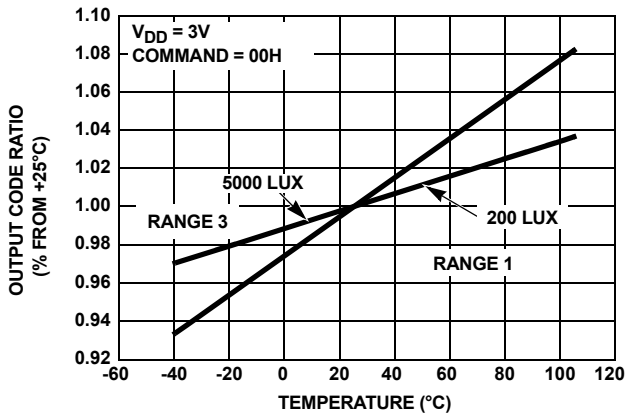


FIGURE 10. OUTPUT CODE vs TEMPERATURE

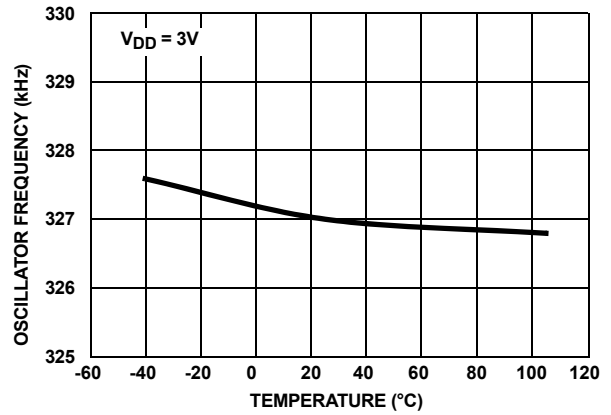


FIGURE 11. OSCILLATOR FREQUENCY vs TEMPERATURE

## Principles of Operation

### Photodiodes

The ISL76683 contains two photodiodes. Diode1 is sensitive to both visible and infrared light, while Diode2 is mostly sensitive to infrared light. The spectral response of the two diodes are independent from one another. See Figure 2, "SPECTRAL RESPONSE," on page 4 in the "Typical Performance Curves" section. The photodiodes convert light to current then the diodes' current outputs are converted to digital by a single built-in integrating type 16-bit Analog-to-Digital Converter (ADC). An I<sup>2</sup>C command mode determines which photodiode will be converted to a digital signal. Mode1 is Diode1 only. Mode2 is Diode2 only. Mode3 is a sequential Mode1 and Mode2 with an internal subtract function (Diode1 - Diode2).

### Analog-to-Digital Converter (ADC)

The converter is a charge-balancing integrating type 16-bit ADC. The chosen method for conversion is best for converting small current signals in the presence of AC periodic noise. A 100ms integration time, for instance, highly rejects 50Hz and 60Hz power line noise simultaneously. See "Integration Time or Conversion Time" on page 11 and "Noise Rejection" on page 12.

The built-in ADC offers the user flexibility in integration time or conversion time. Two timing modes are available; Internal Timing Mode and External Timing Mode. In Internal Timing Mode, integration time is determined by an internal dual speed oscillator ( $f_{OSC}$ ), and the n-bit ( $n = 4, 8, 12, 16$ ) counter inside the ADC. In External Timing Mode, integration time is determined by the time between two consecutive I<sup>2</sup>C External Timing Mode commands. See "External Timing Mode" on page 10. A good balancing act of integration time and resolution depending on the application is required for optimal results.

The ADC has four I<sup>2</sup>C programmable range selects to dynamically accommodate various lighting conditions. For very dim conditions, the ADC can be configured at its lowest range. For very bright conditions, the ADC can be configured at its highest range.

### Interrupt Function

The active low interrupt pin is an open drain pull-down configuration. The interrupt pin serves as an alarm or monitoring function to determine whether the ambient light exceeds the upper threshold or goes below the lower threshold. The user can also configure the persistency of the interrupt pin. This eliminates any false triggers, such as noise or sudden spikes in ambient light conditions. An unexpected camera flash, for example, can be ignored by setting the persistency to 8 integration cycles.

### I<sup>2</sup>C Interface

There are eight (8) 8-bit registers available inside the ISL76683. The command and control registers define the operation of the device. The command and control registers do not change until the registers are overwritten. There are two 8-bit registers that set the high and low interrupt thresholds. There are four 8-bit data Read Only registers; two bytes for the sensor reading and another two bytes for the timer counts. The data registers contain the ADC's latest digital output, and the number of clock cycles in the previous integration period.

The ISL76683's I<sup>2</sup>C interface slave address is hardwired internally as 1000100. When 1000100x with x as R or  $\bar{W}$  is sent after the Start condition, this device compares the first seven bits of this byte to its address and matches.

Figure 12 shows a sample one-byte read. Figure 13 shows a sample one-byte write. Figure 14 shows a sync\_iic timing diagram sample for externally controlled integration time. The I<sup>2</sup>C bus master always drives the SCL (clock) line, while either the master or the slave can drive the SDA (data) line. Figure 13 shows a sample write. Every I<sup>2</sup>C transaction begins with the master asserting a start condition (SDA falling while SCL remains high). The following byte is driven by the master and includes the slave address and read/write bit. The receiving device is responsible for pulling SDA low during the acknowledgement period.

Every I<sup>2</sup>C transaction ends with the master asserting a stop condition (SDA rising while SCL remains high).

For more information about the I<sup>2</sup>C standard, please consult the Philips™ I<sup>2</sup>C specification documents.

# ISL76683

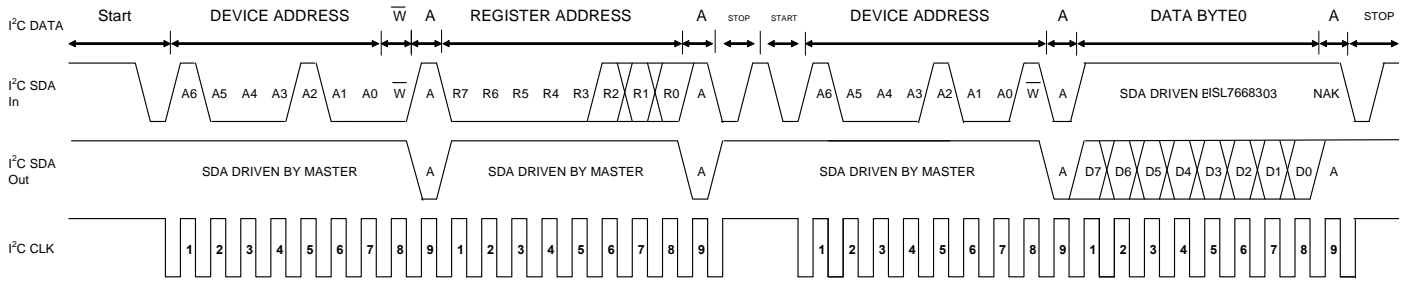


FIGURE 12. I<sup>2</sup>C READ TIMING DIAGRAM SAMPLE

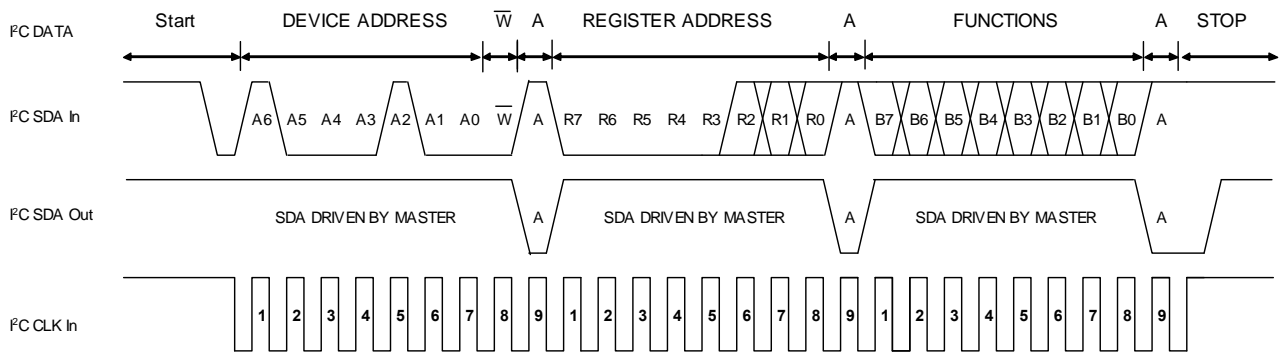


FIGURE 13. I<sup>2</sup>C WRITE TIMING DIAGRAM SAMPLE

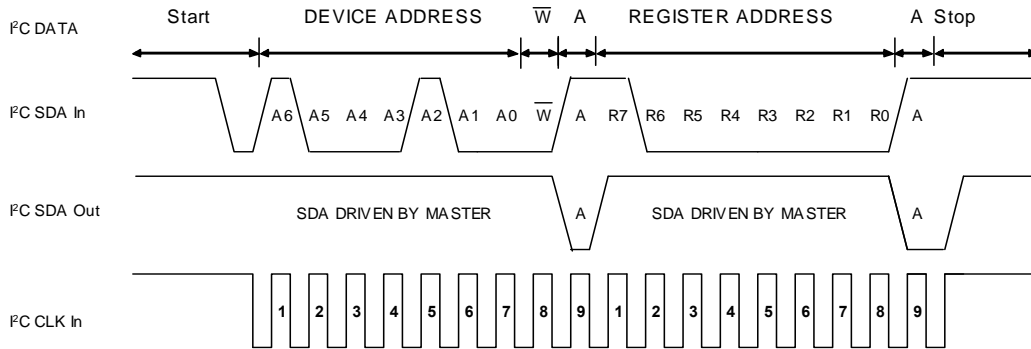


FIGURE 14. I<sup>2</sup>C sync\_jic TIMING DIAGRAM SAMPLE

# ISL76683

## Register Set

There are eight registers that are available in the ISL76683. Table 1 summarizes the available registers and their functions.

TABLE 1. REGISTER SET

ADDR (HEX)	REGISTER NAME	BIT(S)	FUNCTION NAME	FUNCTIONS/DESCRIPTION
00	Command	7	Enable	0: disable ADC-core 1: enable ADC-core
		6	ADCPD	0: Normal operation 1: Power-down Mode
		5	Timing_Mode	0: Integration is internally timed 1: Integration is externally sync/controlled by I <sup>2</sup> C host
		4	Reserved	
		3:2	Mode<1:0>	Selects ADC work mode 0: Diode1's current to unsigned 16-bit data 1: Diode2's current to unsigned 16-bit data 2: Difference between diodes (I1 - I2) to signed 15-bit data 3: reserved
		1:0	Width<1:0>	Number of clock cycles; n-bit resolution 0: 2 <sup>16</sup> cycles 1: 2 <sup>12</sup> cycles 2: 2 <sup>8</sup> cycles 3: 2 <sup>4</sup> cycles
01	Control	7	Ext_Mode	Always set to logic 0. Factory use only.
		6	Test_Mode	Always set to logic 0
		5	Int_Flag	0: Interrupt is cleared or not yet triggered 1: Interrupt is triggered
		4	Reserved	Always set to logic 0. Factory use only.
		3:2	Gain<1:0>	Selects the gain so range is 0: 0 to 1000 lux 1: 0 to 4000 lux 2: 0 to 16000 lux 3: 0 to 64000 lux
		1:0	Int_Persist <1:0>	Interrupt is triggered after 0: 1 integration cycle 1: 4 integration cycles 2: 8 integration cycles 3: 16 integration cycles
02	Interrupt Threshold HI	7:0	Interrupt Threshold HI	High byte of HI interrupt threshold. Default is 0xFF
03	Interrupt Threshold LO	7:0	Interrupt Threshold LO	High byte of the LO interrupt threshold. Default is 0x00
04	LSB_Sensor	7:0	LSB_Sensor	Read-Only data register that contains the least significant byte of the latest sensor reading.
05	MSB_Sensor	7:0	MSB_Sensor	Read-Only data register that contains the most significant byte of the latest sensor reading.
06	LSB_Timer	7:0	LSB_Timer	Read-Only data register that contains the least significant byte of the timer counter value corresponding to the latest sensor reading.
07	MSB_Timer	7:0	MSB_Timer	Read-Only data register that contains the most significant byte of the timer counter value corresponding to the latest sensor reading.



**TABLE 2. WRITE ONLY REGISTERS**

ADDRESS	REGISTER NAME	FUNCTIONS/ DESCRIPTION
b1xx_xxxx	sync_iic	Writing a logic 1 to this address bit ends the current ADC-integration and starts another. Used only with External Timing Mode.
bx1x_xxxx	clar_int	Writing a logic 1 to this address bit clears the interrupt.

## Command Register 00(hex)

The Read/Write command register has five functions:

1. Enable; Bit 7. This function either resets the ADC or enables the ADC in normal operation. A logic 0 disables ADC to reset mode. A logic 1 enables ADC to normal operation.

**TABLE 3. ENABLE**

BIT 7	OPERATION
0	Disable ADC-Core to Reset-Mode (default)
1	Enable ADC-Core to Normal Operation

2. ADCPD; Bit 6. This function puts the device in a power-down mode. A logic 0 puts the device in normal operation. A logic 1 powers down the device.

**TABLE 4. ADCPD**

BIT 6	OPERATION
0	Normal Operation (default)
1	Power-Down

For proper shut down operation, it is recommended to disable ADC first then disable the chip. Specifically, the user should first send I<sup>2</sup>C command with Bit 7 = 0 and then send I<sup>2</sup>C command with Bit 6 = 1.

3. Timing Mode; Bit 5. This function determines whether the integration time is done internally or externally. In Internal Timing Mode, integration time is determined by an internal dual speed oscillator ( $f_{OSC}$ ), and the n-bit ( $n = 4, 8, 12, 16$ ) counter inside the ADC. In External Timing Mode, integration time is determined by the time between two consecutive external-sync sync\_iic pulse commands.

**TABLE 5. TIMING MODE**

BIT 5	OPERATION
0	Internal Timing Mode. Integration time is internally timed determined by $f_{OSC}$ , REXT, and number of clock cycles.
1	External Timing Mode. Integration time is externally timed by the I <sup>2</sup> C host.

4. Photodiode Select Mode; Bits 3 and 2. This function controls the mux attached to the two photodiodes. At Mode1, the mux directs the current of Diode1 to the ADC. At Mode2, the mux directs the current of Diode2 only to the ADC. Mode3 is a sequential Mode1 and Mode2 with an internal subtract function (Diode1 - Diode2).

**TABLE 6. PHOTODIODE SELECT MODE; BITS 2 AND 3**

BITS 3:2	MODE
0:0	MODE1. ADC integrates or converts Diode1 only. Current is converted to an n-bit unsigned data.*
0:1	MODE2. ADC integrates or converts Diode2 only. Current is converted to an n-bit unsigned data.*
1:0	MODE3. A sequential MODE1 then MODE2 operation. The difference current is an (n-1) signed data.*
1:1	No Operation.

\*n = 4, 8, 12, 16 depending on the number of clock cycles function.

5. Width; Bits 1 and 0. This function determines the number of clock cycles per conversion. Changing the number of clock cycles does more than just change the resolution of the device; it also changes the integration time, which is the period the device's analog-to-digital (A/D) converter samples the photodiode current signal for a lux measurement.

**TABLE 7. WIDTH**

BITS 1:0	NUMBER OF CLOCK CYCLES
0:0	$2^{16} = 65,536$
0:1	$2^{12} = 4,096$
1:0	$2^8 = 256$
1:1	$2^4 = 16$

## Control Register 01(hex)

The Read/Write control register has three functions:

1. Interrupt flag; Bit 5. This is the status bit of the interrupt. The bit is set to logic high when the interrupt thresholds have been triggered, and logic low when not yet triggered.

**TABLE 8. INTERRUPT FLAG**

BIT 5	OPERATION
0	Interrupt is cleared or not triggered yet
1	Interrupt is triggered

2. Range/Gain; Bits 3 and 2. The Full Scale Range can be adjusted by an external resistor  $R_{EXT}$  and/or it can be adjusted via I<sup>2</sup>C using the Gain/Range function. Gain/Range has four possible values, Range(k) where k is 1 through 4. Table 9 lists the possible values of Range(k) and the resulting FSR for some typical value  $R_{EXT}$  resistors.

**TABLE 9. RANGE/GAIN TYPICAL FSR LUX RANGES**

BITS 3:2	k	RANGE (k)	FSR LUX RANGE@ $R_{EXT} = 100k$	FSR LUX RANGE@ $R_{EXT} = 50k$	FSR LUX RANGE@ $R_{EXT} = 500k$
0:0	1	973	973	1946	195
0:1	2	3892	3892	7784	778
1:0	3	15,568	15,568	31,136	3114
1:1	4	62,272	62,272	124,544	12,454

3. Interrupt persist; Bits 1 and 0. The interrupt pin and the interrupt flag is triggered/set when the data sensor reading is out of the interrupt threshold window after m consecutive number of integration cycles. The interrupt persist bits determine m.

**TABLE 10. INTERRUPT PERSIST**

BITS 1:0	NUMBER OF INTEGRATION CYCLES
0:0	1
0:1	4
1:0	8
1:1	16

## Interrupt Threshold HI Register 02(hex)

This register sets the HI threshold for the interrupt pin and the interrupt flag. By default, the Interrupt threshold HI is FF(hex). The 8-bit data written to the register represents the upper MSB of a 16-bit value. The LSB is always 00(hex).

## Interrupt Threshold LO Register 03(hex)

This register sets the LO threshold for the interrupt pin and the interrupt flag. By default, the Interrupt threshold LO is 00(hex). The 8-bit data written to the register represents the upper MSB of a 16-bit value. The LSB is always 00(hex).

## Sensor Data Register 04(hex) and 05(hex)

When the device is configured to output a 16-bit data, the least significant byte is accessed at 04(hex), and the most significant byte can be accessed at 05(hex). The sensor data register is refreshed after every integration cycle.

## Timer Data Register 06(hex) and 07(hex)

Note that the timer counter value is only available when using the External Timing Mode. The 06(hex) and 07(hex) are the LSB and MSB respectively of a 16-bit timer counter value corresponding to the most recent sensor reading. Each clock cycle increments the counter. At the end of each integration period, the value of this counter is made available over the I<sup>2</sup>C. This value can be used to eliminate noise introduced by slight timing errors caused by imprecise external timing. Microcontrollers, for example, often

cannot provide high-accuracy command-to-command timing, and the timer counter value can be used to eliminate the resulting noise.

**TABLE 11. DATA REGISTERS**

ADDRESS (hex)	CONTENTS
04	Least-significant byte of most recent sensor reading.
05	Most-significant byte of most recent sensor reading.
06	Least-significant byte of timer counter value corresponding to most recent sensor reading.
07	Most-significant byte of timer counter value corresponding to most recent sensor reading.

## Calculating Lux

The ISL76683's output codes, DATA, are directly proportional to lux.

$$E = \alpha \times \text{DATA} \quad (\text{EQ. 1})$$

The proportionality constant  $\alpha$  is determined by the Full Scale Range, FSR, and the n-bit ADC, which is user defined in the command register. The proportionality constant can also be viewed as the resolution; The smallest lux measurement the device can measure is  $\alpha$ .

$$\alpha = \frac{\text{FSR}}{2^n} \quad (\text{EQ. 2})$$

Full Scale Range, FSR, is determined by the software programmable Range/Gain, Range(k), in the command register and an external scaling resistor  $R_{EXT}$ , which is referenced to 100k $\Omega$ .

$$\text{FSR} = \text{Range}(k) \times \frac{100k\Omega}{R_{EXT}} \quad (\text{EQ. 3})$$

The transfer function effectively for each timing mode becomes:

### INTERNAL TIMING MODE

$$E = \frac{\text{Range}(k) \times \frac{100k\Omega}{R_{EXT}}}{2^n} \times \text{DATA} \quad (\text{EQ. 4})$$

### EXTERNAL TIMING MODE

$$E = \frac{\text{Range}(k) \times \frac{100k\Omega}{R_{EXT}}}{\text{COUNTER}} \times \text{DATA} \quad (\text{EQ. 5})$$

$n = 4, 8, 12, \text{ or } 16$ . This is the number of clock cycles programmed in the command register.

Range(k) is the user defined range in the Gain/Range bit in the command register.

$R_{EXT}$  is an external scaling resistor hardwired to the REXT pin.

DATA is the output sensor reading in number of counts available at the data register.

$2^n$  represents the maximum number of counts possible in Internal Timing Mode. For the External Timing Mode, the maximum number of counts is stored in the data register named COUNTER.

COUNTER is the number increments accrued for between integration time for External Timing Mode.

## Gain/Range, Range (k)

The Gain/Range can be programmed in the control register to give Range (k) determining the FSR. Note that Range(k) is not the FSR (see Equation 3). Range(k) provides four constants depending on programmed k that will be scaled by  $R_{EXT}$  (see Table 9). Unlike  $R_{EXT}$ , Range(k) dynamically adjusts the FSR. This function is especially useful when light conditions are varying drastically while maintaining excellent resolution.

## Number of Clock Cycles, n-bit ADC

The number of clock cycles determines “n” in the n-bit ADC;  $2^n$  clock cycles is a n-bit ADC. n is programmable in the command register in the width function. Depending on the application, a good balance of speed and resolution has to be considered when deciding for n. For fast and quick measurement, choose the smallest n = 4. For maximum resolution without regard of time, choose n = 16. Table 12 compares the trade-off between integration time and resolution. See Equations 10 and 11 for the relation between integration time and n. See Equation 3 for the relation of n and resolution.

**TABLE 12. RESOLUTION AND INTEGRATION TIME SELECTION**

n	RANGE1 $f_{OSC} = 327\text{kHz}$		RANGE4 $f_{OSC} = 655\text{kHz}$	
	$t_{INT}$ (ms)	RESOLUTION LUX/COUNT	$t_{INT}$ (ms)	RESOLUTION (LUX/COUNT)
16	200	0.01	100	1
12	12.8	0.24	6.4	16
8	0.8	3.90	0.4	250
4	0.05	62.5	0.025	4000

NOTE:  $R_{EXT} = 100\text{k}\Omega$

## External Scaling Resistor $R_{EXT}$ and $f_{osc}$

The ISL76683 uses an external resistor  $R_{EXT}$  to fix its internal oscillator frequency,  $f_{OSC}$ . Consequently,  $R_{EXT}$  determines the  $f_{OSC}$ , integration time and the FSR of the device.  $f_{OSC}$ , a dual speed mode oscillator, is inversely proportional to  $R_{EXT}$ . For user simplicity, the proportionality constant is referenced to fixed constants  $100\text{k}\Omega$  and  $655\text{kHz}$ :

$$f_{osc1} = \frac{1}{2} \times \frac{100\text{k}\Omega}{R_{EXT}} \times 655\text{kHz} \quad (\text{EQ. 6})$$

$$f_{osc2} = \frac{100\text{k}\Omega}{R_{EXT}} \times 655\text{kHz} \quad (\text{EQ. 7})$$

$f_{OSC1}$  is oscillator frequency when Range1 or Range2 are set. This is nominally  $327\text{kHz}$  when  $R_{EXT}$  is  $100\text{k}\Omega$ .

$f_{OSC2}$  is the oscillator frequency when Range3 or Range4 are set. This is nominally  $655\text{kHz}$  when  $R_{EXT}$  is  $100\text{k}\Omega$ .

When the Range/Gain bits are set to Range1 or Range2,  $f_{OSC}$  runs at half speed compared to when Range/Gain bits are set to Range3 and Range4.

$$f_{OSC1} = \frac{1}{2}(f_{OSC2}) \quad (\text{EQ. 8})$$

The automatic  $f_{OSC}$  adjustment feature allows significant improvement of signal-to-noise ratio when detecting very low lux signals.

## Integration Time or Conversion Time

Integration time is the period during which the device’s analog-to-digital ADC converter samples the photodiode current signal for a lux measurement. Integration time, in other words, is the time to complete the conversion of analog photodiode current into a digital signal (number of counts).

Integration time affects the measurement resolution. For better resolution, use a longer integration time. For short and fast conversions, use a shorter integration time.

The ISL76683 offers user flexibility in the integration time to balance resolution, speed and noise rejection. Integration time can be set internally or externally and can be programmed in the command register 00(hex) bit 5.

## INTEGRATION TIME IN INTERNAL TIMING MODE

This timing mode is programmed in the command register 00(hex) bit 5. Most applications will be using this timing mode. When using the Internal Timing Mode,  $f_{OSC}$  and n-bits resolution determine the integration time.  $t_{int}$  is a function of the number of clock cycles and  $f_{OSC}$ .

$$t_{int} = 2^n \times \frac{1}{f_{OSC}} \quad \text{for Internal Timing Mode only} \quad (\text{EQ. 9})$$

n = 4, 8, 12, and 16. n is the number of bits of resolution.

Therefore,  $2^n$  is the number of clock cycles. n can be programmed at the command register 00(hex) bits 1 and 0.

Since  $f_{OSC}$  is dual speed depending on the Gain/Range bit,  $t_{int}$  is dual time. The integration time as a function of  $R_{EXT}$  and n is:

$$t_{int1} = 2^n \times \frac{R_{EXT}}{327\text{kHz} \times 100\text{k}\Omega} \quad (\text{EQ. 10})$$

$t_{int1}$  is the integration time when the device is configured for Internal Timing Mode and Gain/Range is set to Range1 or Range2.

$$t_{int2} = 2^n \times \frac{R_{EXT}}{655\text{kHz} \times 100\text{k}\Omega} \quad (\text{EQ. 11})$$

$t_{int2}$  is the integration time when the device is configured for Internal Timing Mode and Gain/Range is set to Range3 or Range4.

**TABLE 13. INTEGRATION TIMES FOR TYPICAL  $R_{EXT}$  VALUES**

$R_{EXT}$ ( $\text{k}\Omega$ )	RANGE1 RANGE2		RANGE3 RANGE4	
	n = 16-BIT	n = 12-BIT	n = 12-BIT	n = 4
50	100	6.4	3.2	0.013
100**	200	13	6.5	0.025
200	400	26	13	0.050
500	1000	64	32	0.125

\*Integration time in milliseconds

\*\*Recommended  $R_{EXT}$  resistor value

## INTEGRATION TIME IN EXTERNAL TIMING MODE

This timing mode is programmed in the command register 00(hex) bit 5. External Timing Mode is recommended when integration time can be synchronized to an external signal (such as a PWM) to eliminate noise.

For Mode1 or Mode2 operation, the integration starts when the sync\_iic command is sent over the I<sup>2</sup>C lines. The device needs two sync\_iic commands to complete a photodiode conversion. The integration then stops when another sync\_iic command is received. Writing a logic 1 to the sync\_iic bit ends the current ADC integration and starts another one.

For Mode3, the operation is a sequential Mode1 and Mode2. The device needs three sync\_iic commands to complete two photodiode measurements. The 1st sync\_iic command starts the conversion of the Diode1. The 2nd sync\_iic completes the conversion of Diode1 and starts the conversion of Diode2. The 3rd sync\_iic pulse ends the conversion of Diode2 and starts over again to commence conversion of Diode1.

The integration time,  $t_{int}$ , is determined by Equation 12:

$$t_{int} = \frac{i_{I^2C}}{f_{I^2C}} \quad (\text{EQ. 12})$$

$i_{I^2C}$  is the number of I<sup>2</sup>C clock cycles to obtain the  $t_{int}$ .  
 $f_{I^2C}$  is the I<sup>2</sup>C operating frequency.

The internal oscillator,  $f_{OSC}$ , operates identically in both the internal and external timing modes, with the same dependence on  $R_{EXT}$ . However, in External Timing Mode, the number of clock cycles per integration is no longer fixed at  $2^n$ . The number of clock cycles varies with the chosen integration time, and is limited to  $2^{16} = 65,536$ . In order to avoid erroneous lux readings, the integration time must be short enough not to allow an overflow in the counter register.

$$t_{int} < \frac{65,535}{f_{OSC}} \quad (\text{EQ. 13})$$

$f_{OSC} = 327\text{kHz} * 100\text{k}\Omega / R_{EXT}$ . When Range/Gain is set to Range1 or Range2.

$f_{OSC} = 655\text{kHz} * 100\text{k}\Omega / R_{EXT}$ . When Range/Gain is set to Range3 or Range4.

## Noise Rejection

In general, integrating type ADC's have excellent noise-rejection characteristics for periodic noise sources whose frequency is an integer multiple of the integration time. For instance, a 60Hz AC unwanted signal's sum from 0ms to  $k * 16.66\text{ms}$  ( $k = 1, 2, \dots, k_i$ ) is zero. Similarly, setting the device's integration time to be an integer multiple of the periodic noise signal greatly improves the light sensor output signal in the presence of noise.

## DESIGN EXAMPLE 1

The ISL76683 will be designed in a portable system. The ambient light conditions that the device will be exposed to is at most 500 lux, which is a good office lighting. The light source has a 50/60Hz power line noise, which is not visible by the human eye. The I<sup>2</sup>C clock is 10kHz.

## Solution 1

### Using Internal Timing Mode

In order to achieve both 60Hz and 50Hz AC noise rejection, the integration time needs to be adjusted to coincide with an integer multiple of the AC noise cycle times.

$$t_{int} = i(1/60\text{Hz}) = j(1/50\text{Hz}) \quad (\text{EQ. 14})$$

The first instance of integer values at which  $t_{int}$  rejects both 60Hz and 50Hz is when  $i = 6$ , and  $j = 5$ .

$$t_{int} = 6(1/60\text{Hz}) = 5(1/50\text{Hz}) \quad (\text{EQ. 15})$$

$$t_{int} = 100\text{ms}$$

Next, the Gain/Range needs to be determined. Based on the application condition given,  $\text{lux}(\text{max}) = 500 \text{ lux}$ , a range of 1000 lux is desirable. This corresponds to a Gain/Range Range1 mode. Also impose a resolution of  $n = 16$ -bit. Hence, we choose Equation 10 to determine  $R_{EXT}$ .

$$R_{EXT} = \frac{t_{int} \times 327\text{kHz} \times 100\text{k}\Omega}{2^n} \quad (\text{EQ. 16})$$

$$R_{EXT} = 50\text{k}\Omega$$

for Internal Timing Mode and Gain/Range is set to Range3 or Range4 only

The Full Scale Range, FSR, needs to be determined from Equation 3:

$$\text{FSR} = 1000 \text{ lux} \frac{100\text{k}\Omega}{50\text{k}\Omega} \quad (\text{EQ. 17})$$

$$\text{FSR} = 2000 \text{ lux}$$

The effective transfer function becomes:

$$E = \frac{\text{data}}{2^{16}} \times 2000 \text{ lux} \quad (\text{EQ. 18})$$

TABLE 14. SOLUTION1 SUMMARY TO EXAMPLE DESIGN PROBLEM

DESIGN PARAMETER	VALUE
$t_{int}$	100ms
$R_{EXT}$	50k $\Omega$
Gain/Range Mode	Range1 = 1000 lux
FSR	2000 lux
# of clock cycles	$2^{16}$
Transfer Function	$E = \frac{\text{DATA}}{2^{16}} \times 2000 \text{ lux}$

## Solution 2

### Using External Timing Mode

From Solution 1, the desired integration time is 100ms. Note that the  $R_{EXT}$  resistor only determines the inter oscillator frequency when using external timing mode. Instead, the integration time is the time between two sync\_iic commands sent through the I<sup>2</sup>C. The programmer determines how many I<sup>2</sup>C clock cycles to wait between two external timing commands.

$$i_{I^2C} = f_{I^2C} * t_{int} = \text{number of I}^2\text{C clock cycles}$$

$$i_1^2 C = 10\text{kHz} * 100\text{ms}$$

$i_1^2 C = 1,000 I^2 C$  clock cycles. An external sync\_iic command sent 1,000 cycles after another sync\_iic command rejects both 60Hz and 50Hz AC noise signals.

Next, is to pick an arbitrary  $R_{EXT} = 100\text{k}\Omega$  and to choose the Gain/Range Mode. For a maximum 500 lux, Range1 is adequate. From Equation 3:

$$FSR = 1000 \text{ lux} \frac{100\text{k}\Omega}{100\text{k}\Omega}$$

$$FSR = 1000 \text{ lux}$$

The effective transfer function becomes:

$$E = \frac{\text{DATA}}{\text{COUNTER}} \times 1000 \text{ lux}$$

DATA is the sensor reading data located in data registers 04(hex) and 05(hex)

COUNTER is the timer counter value data located in data registers 06(hex) and 07(hex). In this sample problem, COUNTER = 1000.

**TABLE 15. SOLUTION 2 SUMMARY TO EXAMPLE DESIGN PROBLEM**

DESIGN PARAMETER	VALUE
$t_{int}$	100ms
$R_{EXT}$	100k $\Omega$
Gain/Range Mode	Range1 = 1000 lux
FSR	1000 lux
# of clock cycles	COUNTER = 1000
Transfer Function	$E = \frac{\text{DATA}}{\text{COUNTER}} \times 1000 \text{ lux}$

## IR Rejection

Any filament type light source has a high presence of infrared component invisible to the human eye. A white fluorescent lamp, on the other hand has a low IR content. As a result, output sensitivity may vary depending on the light source. Maximum attenuation of IR can be achieved by properly scaling the readings of Diode1 and Diode2. The user obtains data reading from sensor Diode1 (D1), which is sensitive to visible and IR, then reading from sensor Diode2 (D2), which is mostly sensitive from IR. The graph in Figure 2 shows the effective spectral response after applying Equation 19 of the ISL76683 from 400nm to 1000nm. Equation 19 describes the method of cancelling IR in internal timing mode.

$$D3 = n(D1 - kD2) \quad (\text{EQ. 19})$$

Where:

data = lux amount in number of counts less IR presence

D1 = data reading of Diode1

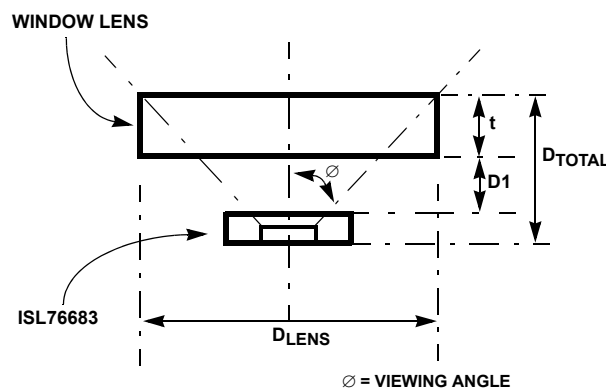
D2 = data reading of Diode2

$n = 1.85$ . This is a fudge factor to scale back the sensitivity up to ensure Equation 4 is valid.

$k = 7.5$ . This is a scaling factor for the IR sensitive Diode2.

## Flat Window Lens Design

A window lens will surely limit the viewing angle of the ISL76683. The window lens should be placed directly on top of the device. The thickness of the lens should be kept at minimum to minimize loss of power due to reflection and also to minimize loss of loss due to absorption of energy in the plastic material. A thickness of  $t = 1\text{mm}$  is recommended for a window lens design. The bigger the diameter of the window lens, the wider the viewing angle is of the ISL76683. Table 16 shows the recommended dimensions of the optical window to ensure both 35° and 45° viewing angle. These dimensions are based on a window lens thickness of 1.0mm and a refractive index of 1.59.



**FIGURE 15. FLAT WINDOW LENS**

## Window with Light Guide Design

If a smaller window is desired while maintaining a wide effective viewing angle of the ISL76683, a cylindrical piece of transparent plastic is needed to trap the light and then focus and guide the light on to the device. Hence, the name light guide or also known as light pipe. The pipe should be placed directly on top of the device with a distance of  $D1 = 0.5\text{mm}$  to achieve peak performance. The light pipe should have minimum of 1.5mm in diameter to ensure that whole area of the sensor will be exposed. See Figure 16.

**TABLE 16. RECOMMENDED DIMENSIONS FOR A FLAT WINDOW DESIGN**

$D_{TOTAL}$	D1	$D_{LENS}$ @ 35° VIEWING ANGLE	$D_{LENS}$ @ 45° VIEWING ANGLE
1.5	0.50	2.25	3.75
2.0	1.00	3.00	4.75
2.5	1.50	3.75	5.75
3.0	2.00	4.30	6.75
3.5	2.50	5.00	7.75

$t = 1$  Thickness of lens  
 $D1$  Distance between ISL76683 and inner edge of lens  
 $D_{LENS}$  Diameter of lens  
 $D_{TOTAL}$  Distance constraint between the ISL76683 and lens outer edge

\*All dimensions are in mm.

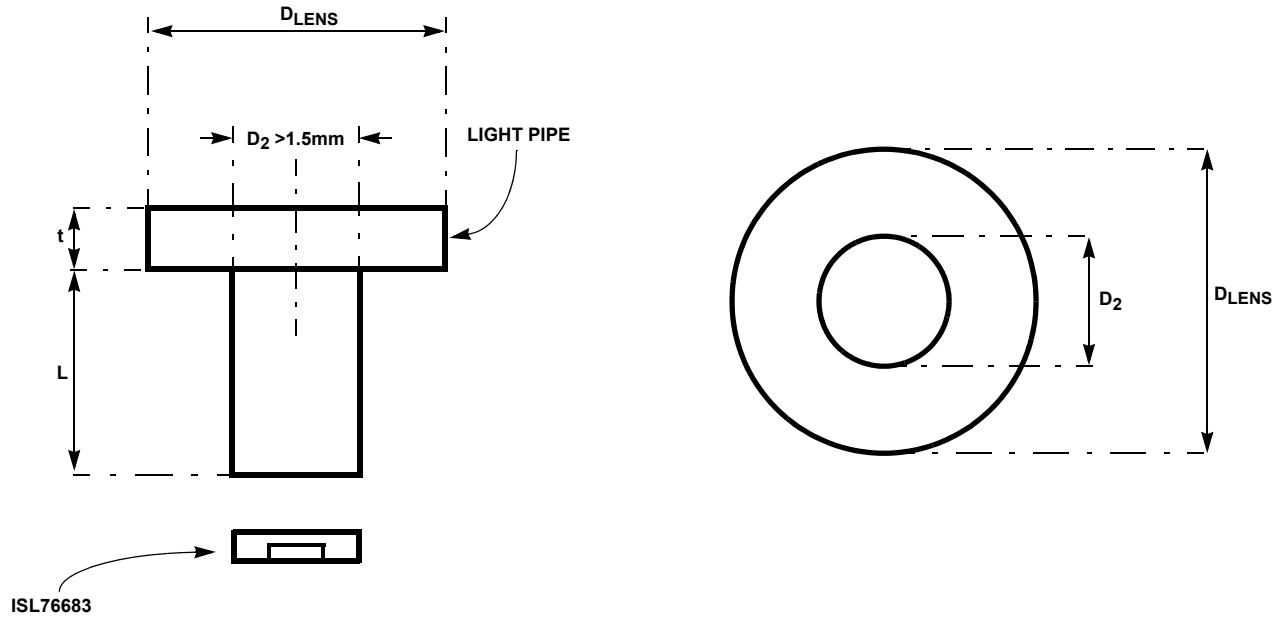


FIGURE 16. WINDOW WITH LIGHT GUIDE/PIPE

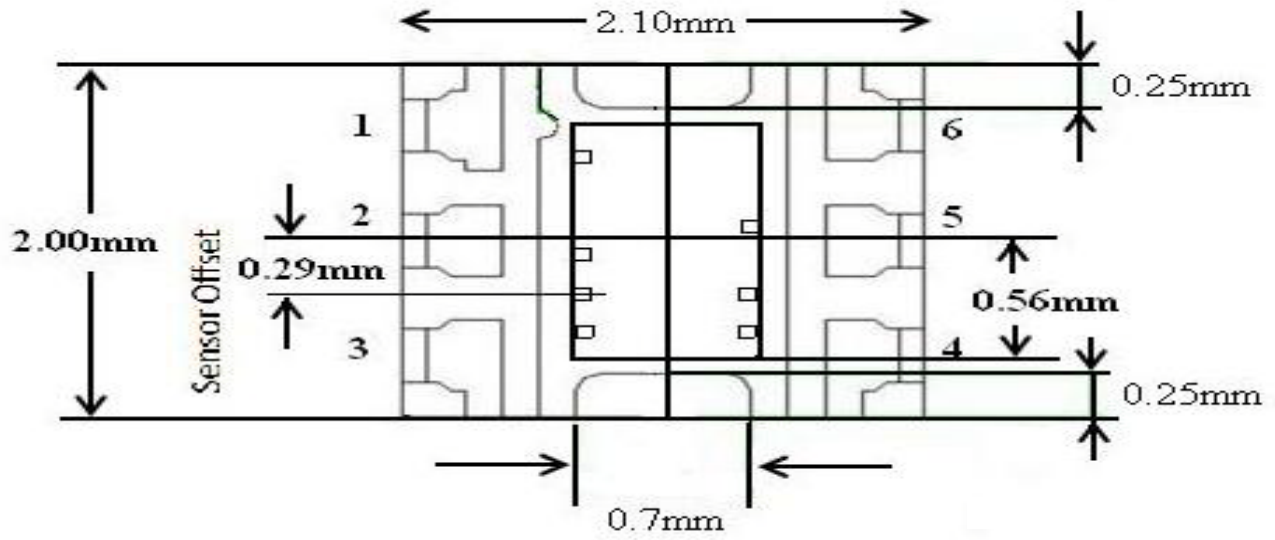


FIGURE 17. SENSOR LOCATION DRAWING

## Suggested PCB Footprint

Footprint pads should be a nominal 1-to-1 correspondence with package pads. Since ambient light sensor devices do not dissipate high power, heat dissipation through the exposed pad is not important; instead, similar to DFN or QFN, the exposed pad provides robustness in board mount process. Intersil recommends mounting the exposed pad to the PCB, but this is not mandatory.

## Layout Considerations

The ISL76683 is relatively insensitive to layout. Like other I<sup>2</sup>C devices, it is intended to provide excellent performance even in significantly noisy environments. There are only a few considerations that will ensure best performance.

Route the supply and I<sup>2</sup>C traces as far as possible from all sources of noise. Use two power-supply decoupling capacitors, 4.7µF and 0.1µF, placed close to the device.

## Typical Circuit

A typical application for the ISL76683 is shown in Figure 18. The ISL76683's I<sup>2</sup>C address is internally hardwired as 1000100. The device can be tied onto a system's I<sup>2</sup>C bus together with other I<sup>2</sup>C compliant devices.

## Soldering Considerations

Convection heating is recommended for reflow soldering; direct infrared heating is not recommended. The plastic ODFN package does not require a custom reflow soldering profile, and is qualified to +260 °C. A standard reflow soldering profile with a +260 °C maximum is recommended.

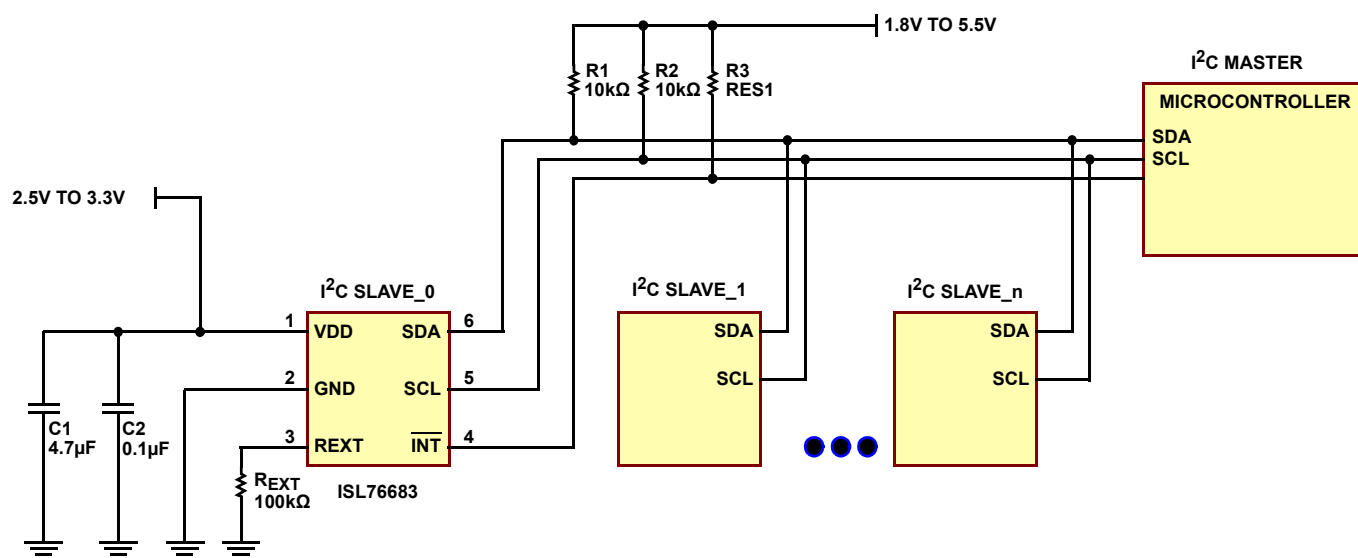


FIGURE 18. ISL76683 TYPICAL CIRCUIT

## Revision History

The revision history provided is for informational purposes only and is believed to be accurate, but not warranted. Please go to web to make sure you have the latest revision.

DATE	REVISION	CHANGE
March 24, 2014	FN7697.7	Added AEC-Q100 qualified to features on page 1. Added Related Literature on page 1. Added Eval board to ordering information on page 2. Updated Figure 17 Sensor Location Drawing with Pin 1 Marking.
December 23, 2013	FN7697.6	Page 16 - 2nd line of the disclaimer changed from: "Intersil products are manufactured, assembled and tested utilizing ISO9001 quality systems as noted" to: "Intersil Automotive Qualified products are manufactured, assembled and tested utilizing TS16949 quality systems as noted"
July 22, 2013	FN7697.5	Removed Confidential Watermark, Updated Product Information verbiage to About Intersil verbiage.
October 30, 2012	FN7697.4	Added ISL76683AR0Z-T7A to "Ordering Information" on page 2. Updated "Package Outline Drawing" on page 17. Added "MAX 0.75" dimension to Side View.
July 9, 2012	FN7697.3	In "Control Register 01(hex)" on page 9, removed sentence: "Writing a logic low clears/resets the status bit." from "1. Interrupt flag; Bit 5"
March 8, 2011	FN7697.2	Changed TechBrief reference in ordering information for MSL info from TB363 to TB477.
January 24, 2011	FN7697.1	Initial Release to web.

## About Intersil

Intersil Corporation is a leading provider of innovative power management and precision analog solutions. The company's products address some of the largest markets within the industrial and infrastructure, mobile computing and high-end consumer markets.

For the most updated datasheet, application notes, related documentation and related parts, please see the respective product information page found at [www.intersil.com](http://www.intersil.com).

You may report errors or suggestions for improving this datasheet by visiting [www.intersil.com/ask](http://www.intersil.com/ask).

Reliability reports are also available from our website at [www.intersil.com/support](http://www.intersil.com/support)

For additional products, see [www.intersil.com/en/products.html](http://www.intersil.com/en/products.html)

Intersil Automotive Qualified products are manufactured, assembled and tested utilizing TS16949 quality systems as noted in the quality certifications found at [www.intersil.com/en/support/qualandreliability.html](http://www.intersil.com/en/support/qualandreliability.html)

*Intersil products are sold by description only. Intersil Corporation reserves the right to make changes in circuit design, software and/or specifications at any time without notice. Accordingly, the reader is cautioned to verify that data sheets are current before placing orders. Information furnished by Intersil is believed to be accurate and reliable. However, no responsibility is assumed by Intersil or its subsidiaries for its use; nor for any infringements of patents or other rights of third parties which may result from its use. No license is granted by implication or otherwise under any patent or patent rights of Intersil or its subsidiaries.*

For information regarding Intersil Corporation and its products, see [www.intersil.com](http://www.intersil.com)

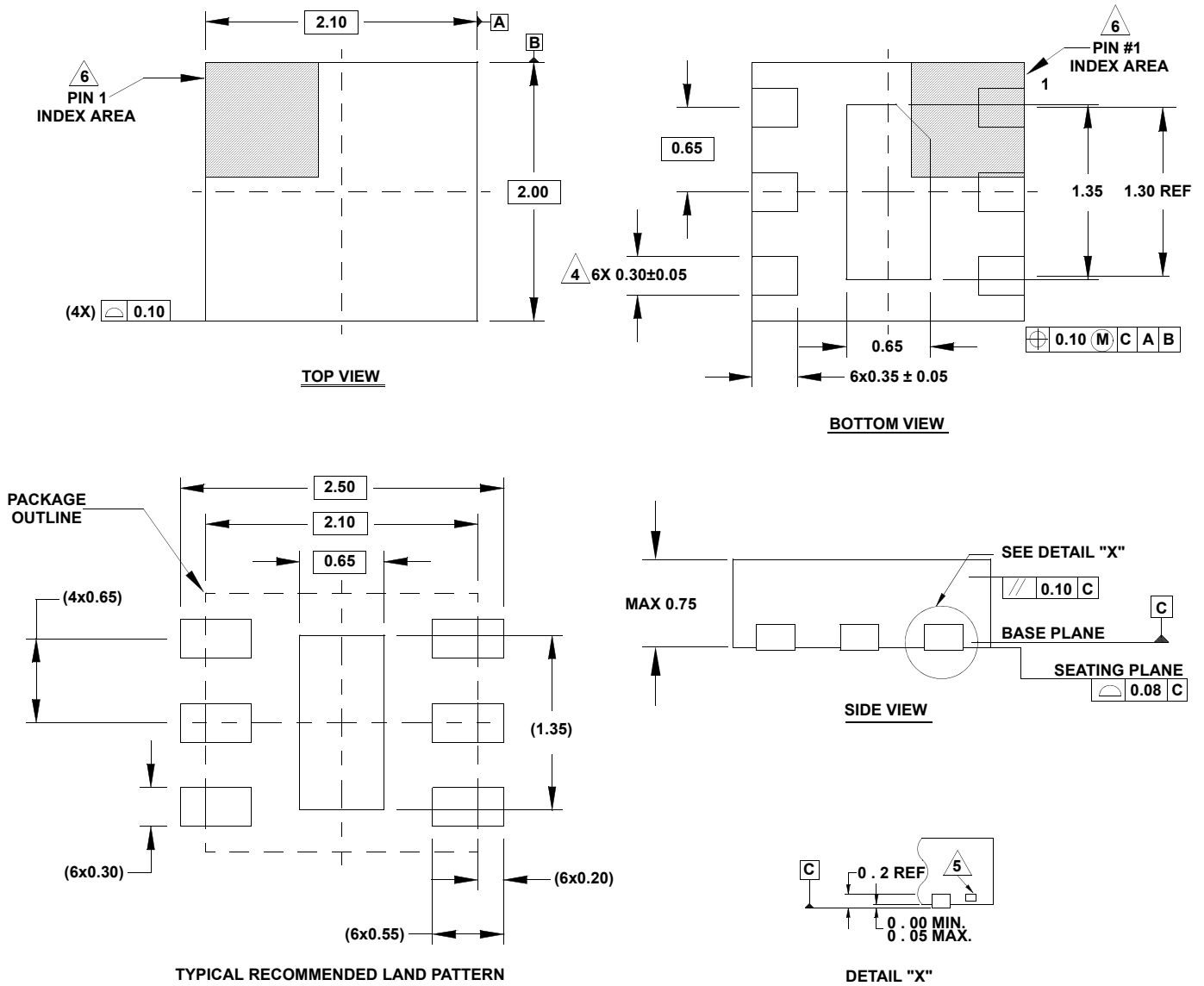


# Package Outline Drawing

## L6.2x2.1

6 LEAD OPTICAL DUAL FLAT NO-LEAD PLASTIC PACKAGE (ODFN)

Rev 3, 5/11



**NOTES:**

1. Dimensions are in millimeters.  
Dimensions in ( ) for Reference Only.
2. Dimensioning and tolerancing conform to ASME Y14.5m-1994.
3. Unless otherwise specified, tolerance : Decimal ± 0.05
4. Dimension applies to the metallized terminal and is measured between 0.15mm and 0.30mm from the terminal tip.
5. Tiebar shown (if present) is a non-functional feature.
6. The configuration of the pin #1 identifier is optional, but must be located within the zone indicated. The pin #1 identifier may be either a mold or mark feature.