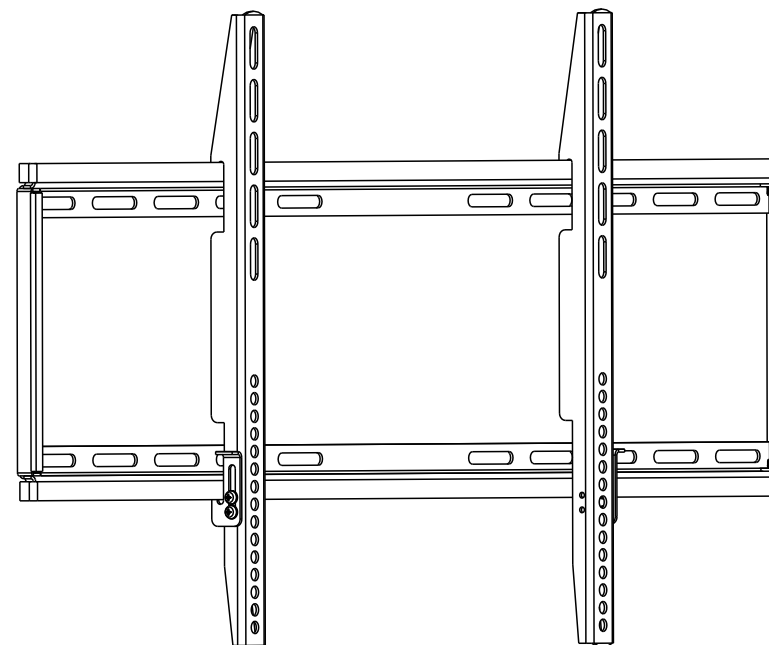


# PRO-SIGNAL






## INSTALLATION INSTRUCTIONS



### Fixed Wall Mount



**CAUTION:** DO NOT EXCEED MAXIMUM LISTED WEIGHT CAPACITY. SERIOUS INJURY OR PROPERTY DAMAGE MAY OCCUR!

PS-LCWB60F	 200x200/300x300 400X200/400X400 600x400	 60" MAX	 75kg (165lbs) MAX
PS-LCWB70F	 200x200/300x300 400X200/400X400 600x400/800x400 800x600	 70" MAX	

ISSUED: MAY.2014

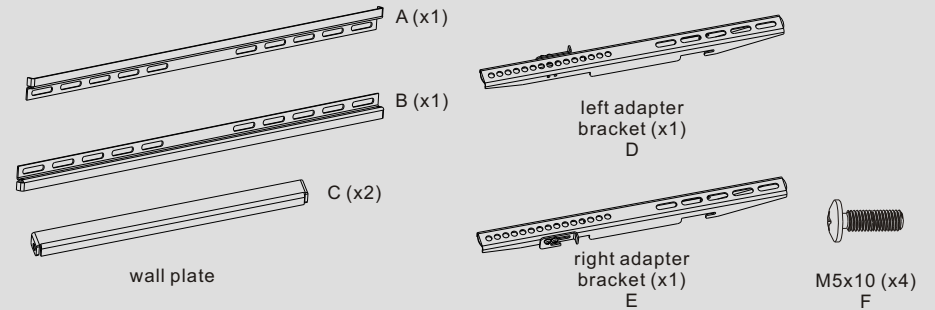
**NOTE:** Read the entire instruction manual before you start installation and assembly.

## ⚠ WARNING

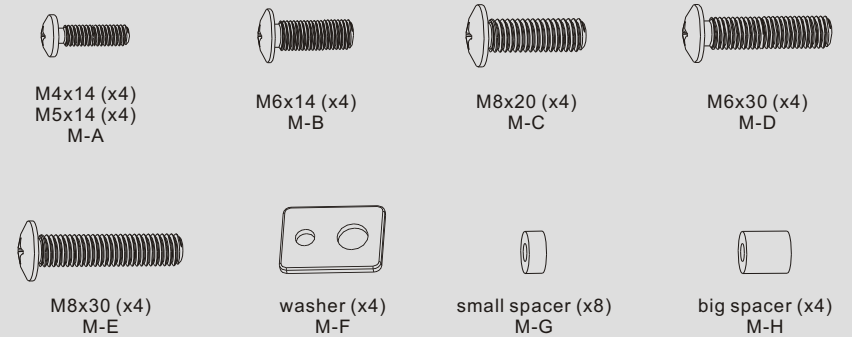
- Do not begin the installation until you have read and understood the instructions and warnings contained in this installation sheet. If you have any question regarding any of the instruction or warning, please contact your local distributor.
- This mounting bracket was designed to be installed and utilized **ONLY** as specified in this manual. Improper installation of this product may cause damage or serious injury.
- This product should only be installed by someone of good mechanical ability, with basic building experience and fully understanding of this manual.
- Make sure that the supporting surface will safely support the combined load of the equipment and all attached hardware and components.
- If mounting to wood wall studs, make sure that mounting screws are anchored into the center of the studs. The use of a stud finder is highly recommended.
- Always use assistant or mechanical lifting equipment to safely lift and position equipment.
- Tighten screws firmly, but do not over tighten. Over tightening can damage the items, greatly reducing their holding power.
- This product is intended for indoor use only. Using this product outdoors could lead to product failure and personal injury.

## Component Checklist

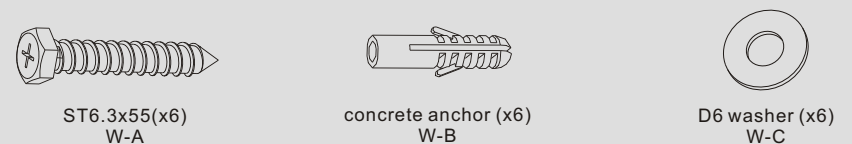
**IMPORTANT:** Ensure that you have received all parts according to the component checklist prior to installing. If any parts are missing or faulty, telephone your local distributor for a replacement.



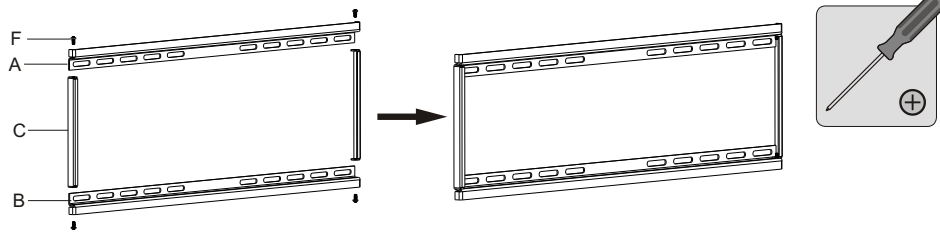
### Package M



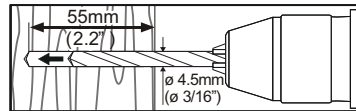
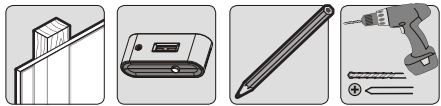
### Package W



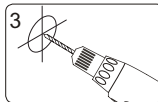
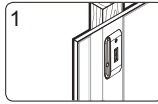
## 1. Assemble the Wall Plate



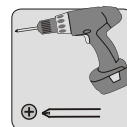
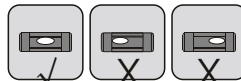
## 2a. Mount on Wood Stud Wall



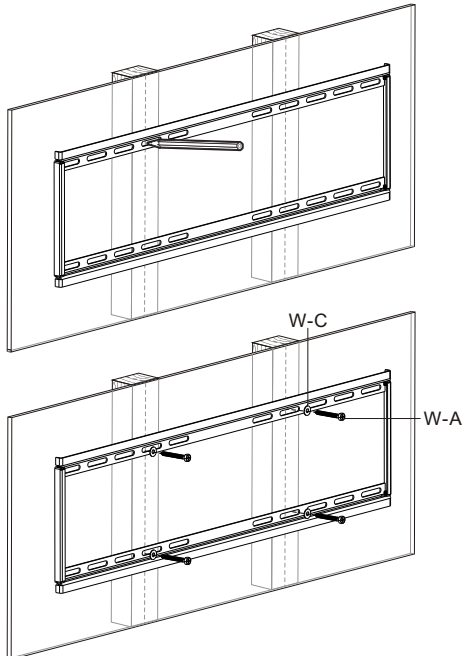
Find and mark the exact location of mounting holes



Drill pilot holes



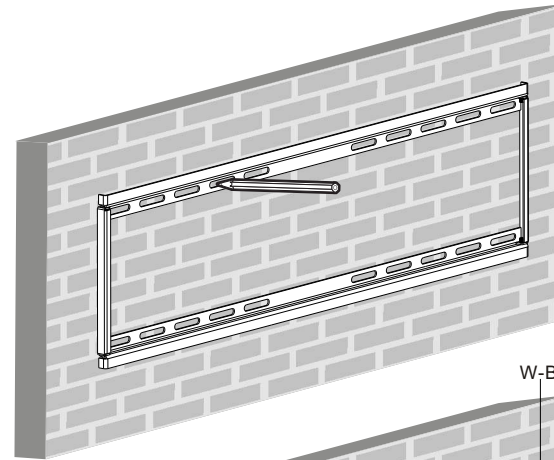
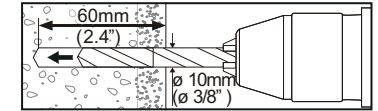
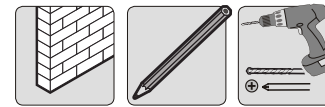
Screw the wall plate onto the wall



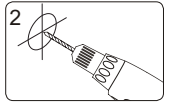
## ⚠ WARNING

- Make sure that mounting screws are anchored into the center of the studs. The use of a stud finder is highly recommended.
- Installers are responsible to provide hardware for other types of mounting situations.
- Installers must verify that the supporting surface will safely support the combined load of the equipment and all attached hardware and components.

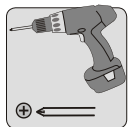
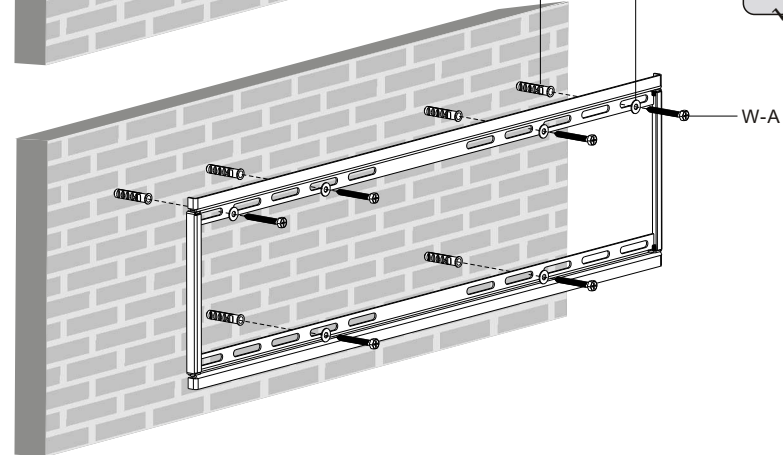
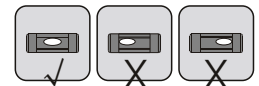
## 2b. Mount on Solid Brick and Concrete Block



Mark the exact location of mounting holes



Drill pilot holes



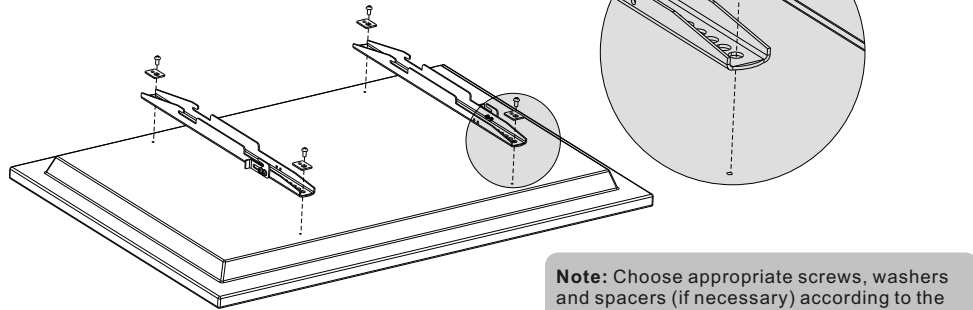
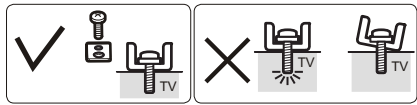
Screw the wall plate onto the wall

## ⚠ WARNING

- When installing wall mounts on cinder block, verify the actual concrete thickness is at least 1-3/8" (35mm) for using the concrete anchors. Do not drill into mortar joints! Be sure to mount in a solid part of the block, generally 1" (25mm) minimum from the side of the block. It is suggested electric drill on slow setting be used to drill the hole instead of a hammer drill to avoid breaking out the back of the hole when entering a void or cavity.
- Installers must verify that the supporting surface will safely support the combined load of the equipment and all attached hardware and components.

### 3. Install Adapter Brackets

#### 3-1 For Flat Back Screen

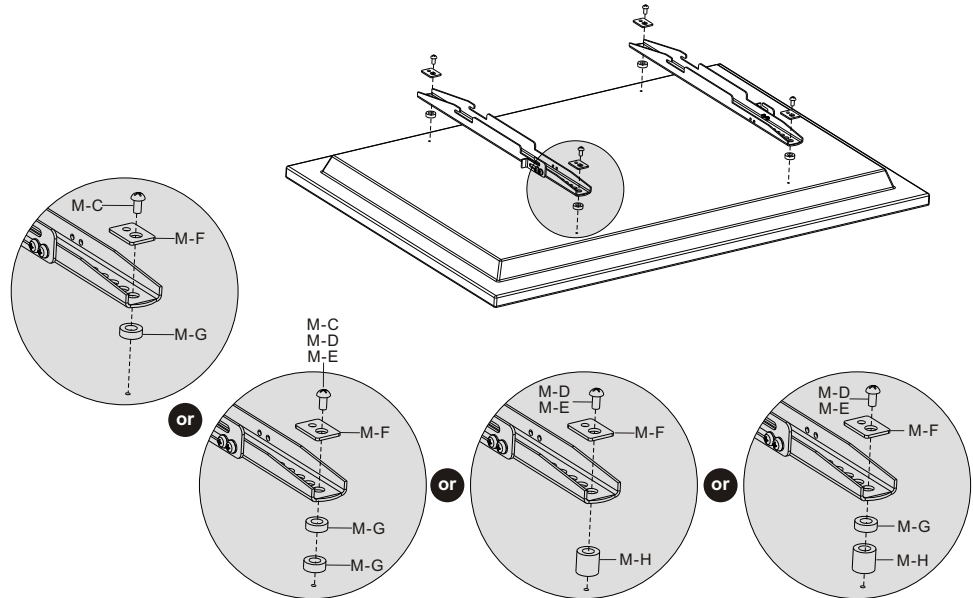
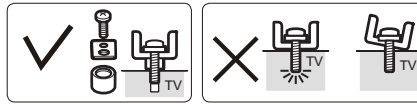


**Note:** Choose appropriate screws, washers and spacers (if necessary) according to the type of screen.

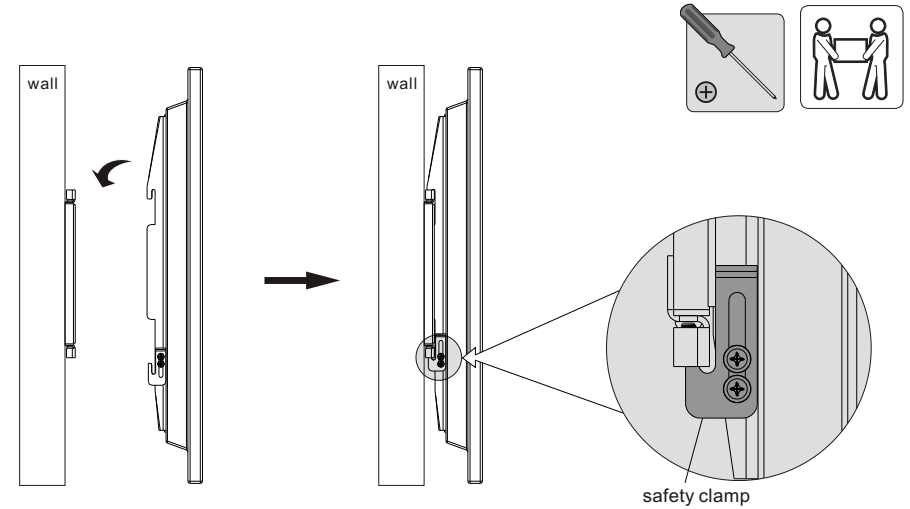
- Position the adapter brackets as close as possible to the center of the display.
- Screw the adapter brackets onto the display.

**⚠ Tighten all screws but do not over tighten.**

#### 3-2 For Recessed Back Screen or to Access A/V Inputs



### 4. Hang Display onto the Wall Plate



- Hook the display over the top of the wall plate.
- Push the safety clamps upward and tighten the two screws to lock the bracket.

#### Maintenance

- Check that the bracket is secure and safe to use at regular intervals (at least every three months).
- Please contact your dealer if you have any questions.