

SILICON EPITAXIAL PLANAR PNP TRANSISTOR

electronic

Semelab Limited reserves the right to change test conditions, parameter limits and package dimensions without notice. Information furnished by Semelab is believed to be both accurate and reliable at the time of going to press. However Semelab assumes no responsibility for any errors or omissions discovered in its use. Semelab encourages customers to verify that datasheets are current before placing orders.

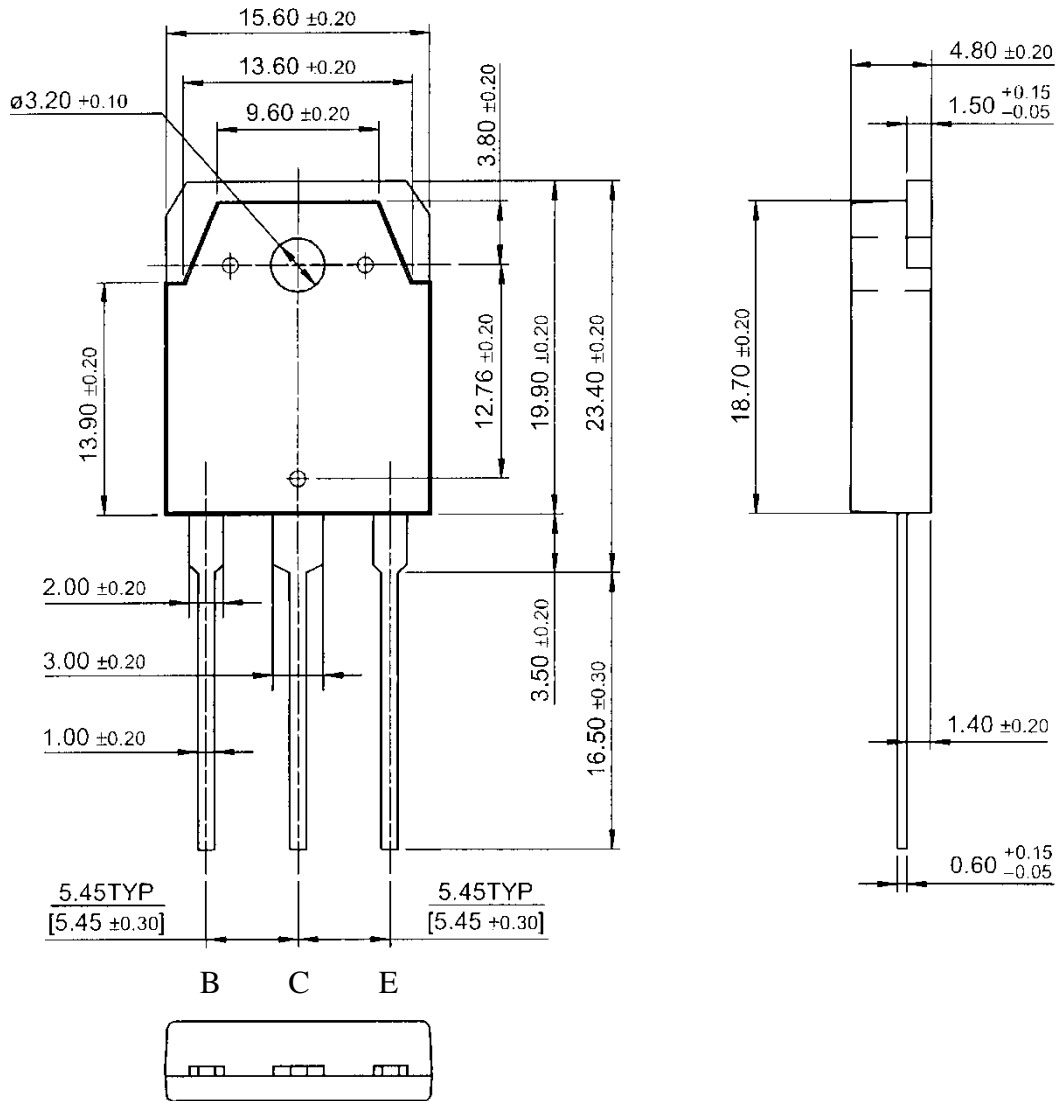
Semelab Limited Coventry Road, Lutterworth, Leicestershire, LE17 4JB
Telephone +44 (0) 1455 556565 Fax +44 (0) 1455 552612
<http://www.semelab-tt.com>

Email: sales@semelab-tt.com Website:

SILICON EPITAXIAL PNP TRANSISTOR MG9410, MG9410-R

MECHANICAL DATA

Dimensions in mm (inches)



TO3P

Pin1 – Base Pin2 – Collector Pin3 - Emitter