

PLEASE CHECK WWW.MOLEX.COM FOR LATEST PART INFORMATION

Part Number: [73366-0010](#)
Status: **Active**
Overview: MCX RF Connectors
Description: 50 Ohms, MCX Right-Angle Plug, Crimp, RG-174, RG-188 and RG-316 Cable

Documents:

[Drawing \(PDF\)](#) [RoHS Certificate of Compliance \(PDF\)](#)

General

Product Family	RF/Coax Connectors
Series	73366
Overview	MCX RF Connectors
Product Name	MCX
Style	Cable
UPC	800754245722
Wire/Cable Type	RG-174, RG-188, RG-316

Physical

Cable Attachment	Crimp
Gender	Plug
Keying to Mating Part	None
Net Weight	1.315/g
Orientation	Right Angle
PCB Mounting	N/A
Packaging Type	Tray
Panel Mount	No
Panel Mount Method	N/A

Electrical

Impedance	50#
-----------	-----

Material Info

Reference - Drawing Numbers

Sales Drawing	SD-73366-001
---------------	--------------

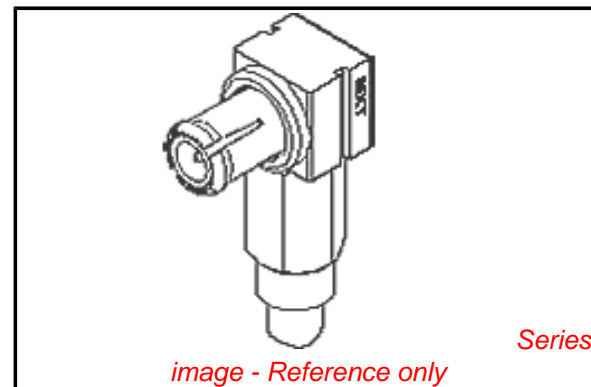


image - Reference only

EU RoHS

RoHS Compliant RF Product

REACH SVHC

Not Reviewed

Low-Halogen Status

Low-Halogen

China RoHS



Need more information on product environmental compliance?

Email productcompliance@molex.com
 For a multiple part number RoHS Certificate of Compliance, [click here](#)

Please visit the [Contact Us](#) section for any non-product compliance questions.

Search Parts in this Series

[73366Series](#)

PLEASE CHECK WWW.MOLEX.COM FOR LATEST PART INFORMATION