

**PLEASE CHECK WWW.MOLEX.COM FOR LATEST PART INFORMATION**

**Part Number:** [73204-5213](#)  
**Status:** **Active**  
**Overview:** TNC RF Connectors  
**Description:** 50 Ohms, TNC Right-Angle, PCB, Jack Receptacle, Body Nickel Plated Brass

**Documents:**

[Drawing \(PDF\)](#) [RoHS Certificate of Compliance \(PDF\)](#)

**General**

Product Family	RF/Coax Connectors
Series	73204
Overview	<a href="#">TNC RF Connectors</a>
Product Name	TNC
Style	PCB
UPC	800753691575
Wire/Cable Type	N/A

**Physical**

Cable Attachment	N/A
Gender	Jack
Keying to Mating Part	None
Net Weight	15.797/g
Orientation	Right Angle
PCB Mounting	Through Hole
PCB Thickness - Recommended	2.40mm
Packaging Type	Tray
Panel Mount	No
Panel Mount Method	N/A

**Electrical**

Impedance	50#
-----------	-----

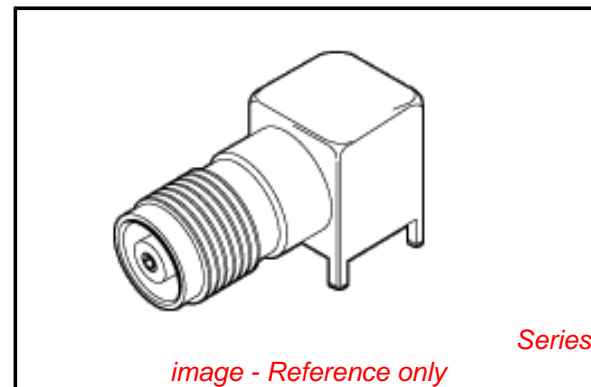
**Solder Process Data**

Duration at Max. Process Temperature (seconds)	10
Lead-free Process Capability	SMC & Wave Capable (TH only)
Max. Cycles at Max. Process Temperature	2
Process Temperature max. C	260

**Material Info**

**Reference - Drawing Numbers**

Product Specification	RPS-73204-002
Sales Drawing	SD-73204-5213, SD-73216-273



**EU RoHS**

**RoHS Compliant RF Product**  
**REACH SVHC**  
**Contains SVHC: No**  
**Low-Halogen Status**  
**Low-Halogen**

**China RoHS**



**Need more information on product environmental compliance?**

Email [productcompliance@molex.com](mailto:productcompliance@molex.com)  
 For a multiple part number RoHS Certificate of Compliance, [click here](#)

Please visit the [Contact Us](#) section for any non-product compliance questions.

**Search Parts in this Series**

[73204Series](#)